

YA-Frame - Miniature Circuit Breakers



1 Pole
DIN mount



1 Pole
DIN mount



2 Pole
DIN mount



4 Pole
DIN mount

Product Category

- **POLARISED PRODUCT**
300 Vdc, 1 Pole & 2 Pole; (300 Vdc per Pole)
400 Vdc, 4 Pole (2 Pole in series + 2 Pole in series)
600 Vdc, (2 Pole in series)
- * Verify approvals

Features

- High energy DC circuit breaker
- Ultra compact - 13 mm wide module
- Hydraulic-magnetic technology
- Can be switched on immediately after tripping
- **YAD** - DIN mount, 45 mm front escutcheon (**Grey**)
- **YAM** - DIN mount, 57 mm front escutcheon (**Black**)
- **YAK** - Dual (Din & Mini) mount, 57 mm front escutcheon (**Black**)
- ON and OFF indication
- Suitable for electrical isolation
- 100% rating capability, independent of ambient temperature
- RoHS compliant
- Box type main terminals

Applications

- Telecom / datacom
- DC circuit protection
- UPS equipment
- Alternative energy equipment
- Battery protection

Auxiliary Switch and Trip Alarm Features

- Auxiliary switch
- AC and DC voltages
- IEC 60947-5-1 (6 A 250 Vac, 0.5 A 110 Vdc)
- GB 14048.5 approved
- Factory fitted
- Attached to right hand side of circuit breaker
- Compact 6.5 mm width



Hydraulic-Magnetic Circuit Breakers 100% rated, unaffected by ambient temperature

YA-FRAME-DAT
REV. G
JUNE 2023
2302054

Data Sheet
Page 1 of 13

YA-Frame - Miniature Circuit Breakers

| Product Type | Circuit Breaker YA, Polarised Product | | |
|--|--|---|---|
| Approvals | IEC 60947-2, GB14048.2, CE, UKCA, AS/NZS 60947-2 | | |
| Number of Poles | 1 Pole | 2 Pole | 4 (2 pole in series + 2 pole in series) |
| Operating Voltages & Interrupting Capacity | 300 Vdc @ 6 kA | 300 Vdc @ 6 kA 600 Vdc @ 6 kA (Series) | 400 Vdc @ 6 kA |
| Minimum Current Rating | 0.5 A | 0.5 A | 0.5 A |
| Maximum Current Rating | 50 A | 50 A | 32 A |

| Product Type | Circuit Breaker YA, Polarised Product | | |
|--|---------------------------------------|------------------|---|
| Approvals | UL 489A, CSA C22.2 No. 5-16 | | |
| Number of Poles | 1 & 2 Poles | 2 Pole in series | 4 (2 Pole in series + 2 Pole in series) |
| Operating Voltages & Interrupting Capacity | 300 Vdc @ 10 kA | 600 Vdc @ 5 kA | 400 Vdc @ 10 kA |
| Minimum Current Rating | 0.5 A | 0.5 A | 0.5 A |
| Maximum Current Rating | 50 A | 50 A | 32 A |

Verify approvals for specific ratings in accordance with the relevant test certificates.

| Product Type | Circuit Breaker YA |
|---------------------------------|---|
| Ambient Operating Temperature | -40 °C to +85 °C |
| Mounting Options | Dual (DIN and Mini rail), DIN rail mount |
| Time Delay Curves | Various |
| Endurance | 10000 operations; 1500 with current, 8500 without current (IEC 60947-2 Clause 7.2.4.2)* Minimum of 1000 operations with current (UL 489A Clause 12)* |
| Dielectric Strength | 1000 - 2000 Vac for one minute (IEC 60947-2 Clause 8.3.3.3)* 1000 Vac plus twice the rated voltage for one minute (UL 489A Clause 8)* |
| Rated Impulse Withstand Voltage | 4 kV (IEC 60947-2 Clause 8.3.3.2)* |
| Weight | 110 g per pole |
| Altitude | Certification tests conducted at altitude ≈ 2000 metres. Will operate at higher altitudes. |
| Shock | 20 G (IEC 60068-2-27) |
| Vibration | 3 G (IEC 60068-2-6) (sinusoidal wave) |
| Flammability | I3 - Ignition does not persist at 850°C after glow wire is withdrawn with an oxygen index of ≥ 28 |
| Toxicity | F1 - Smoke index of ≤ 20 which determines the fume class |
| Pollution Degree | PD2 - Normally only non-conductive pollution occurs. Temporary conductivity caused by condensation is to be expected. |

| Circuit Breaker | Wire Size (IEC) | Wire Gauge (UL) | Torque (IEC) | Torque (UL) | Comments |
|-----------------|---|-----------------|--------------|-------------|---------------------|
| Main Terminals | 2.5 mm ² to 16 mm ² | 14 – 6 AWG | 3.5 N.m | 30 lbf.in | Pz #2 Combi head |

* Refer to the standard for details

YA-Frame - Miniature Circuit Breakers

Long Code

Example Code: YAD- - 1 -(13)-M-50A- B03 - - - -

| Group | 1 | 2 | 3 | 4 | 5 | 6 | 7 | 8 | 9 | 10 |
|-------------|-----------|-----------|-----------------|--------------|------------------|----------------|--|------------|-------------|-------------------|
| Requirement | YAD frame | Auxiliary | Number of poles | Module width | Time delay curve | Current rating | Polarity marking, voltage & construction | Shunt trip | Termination | Customer Specific |
| Long Code | YAD | - | 1 | (13) | M | 50A | B03 | - | - | - |

Ordering Information

| Group 1: Frame Type | Code | Description | Comments |
|---|------|---|-------------|
| Group 1: Frame Type | YAD | YA - Frame (13 mm circuit breaker DIN mounting 45 mm front escutcheon) | Grey shell |
| | YAM | YA - Frame (13 mm circuit breaker DIN mounting 57 mm front escutcheon) | Black shell |
| | YAK | YA - Frame (13 mm circuit breaker Dual (DIN and Mini rail) mounting 57 mm front escutcheon) | Black shell |
| Group 2: Auxiliary | Code | Description | Comments |
| Group 2: Auxiliary | - | Not applicable | |
| | A | Auxiliary switch | |
| | T | Trip alarm | |
| | AT | Auxiliary switch & Trip alarm | |
| Group 3: Number of poles | Code | Description | Comments |
| Group 3: Number of poles | 1 | One pole | |
| | 2 | Two pole | |
| | 4 | Four pole | |
| Group 4: Module Width | Code | Description | Comments |
| Group 4: Module Width | (13) | 13 mm module | |
| Group 5: Time Delay | Code | Description | Comments |
| Group 5: Time Delay | I | Instantaneous delay | |
| | S | Short delay | |
| | M | Medium delay | |
| | L | Long delay | |
| Group 6: Current Rating | Code | Description | Comments |
| Group 6: Current Rating | | 0.5, 1, 2, 3, 5, 6, 10, 15, 16, 20, 25, 30, 32, 35, 40, 45, 50 A | |
| Group 7: Polarity Marking, Voltage & Construction | Code | Description | Comments |
| Group 7: Polarity Marking, Voltage & Construction | B03 | 300 Vdc Polarised, Positive Bottom (300 Vdc / Pole) | |
| | BT3 | 300 Vdc Polarised, (1 + 1 = 2p) - Positive Bottom / Positive Top (300 Vdc / Pole) | |
| | BT6 | 600 Vdc Polarised, Series Connection, (2p) - Positive Bottom /Positive Top (300 Vdc / Pole) | |
| | BU4 | 400 Vdc Polarised, Series Connection, (2 + 2 = 4p) - Connection @ Bottom (Bottom Positive, Bottom Negative / Bottom Negative, Bottom Positive) (300 Vdc / Pole) | |

Continues on page 4

YA-Frame - Miniature Circuit Breakers

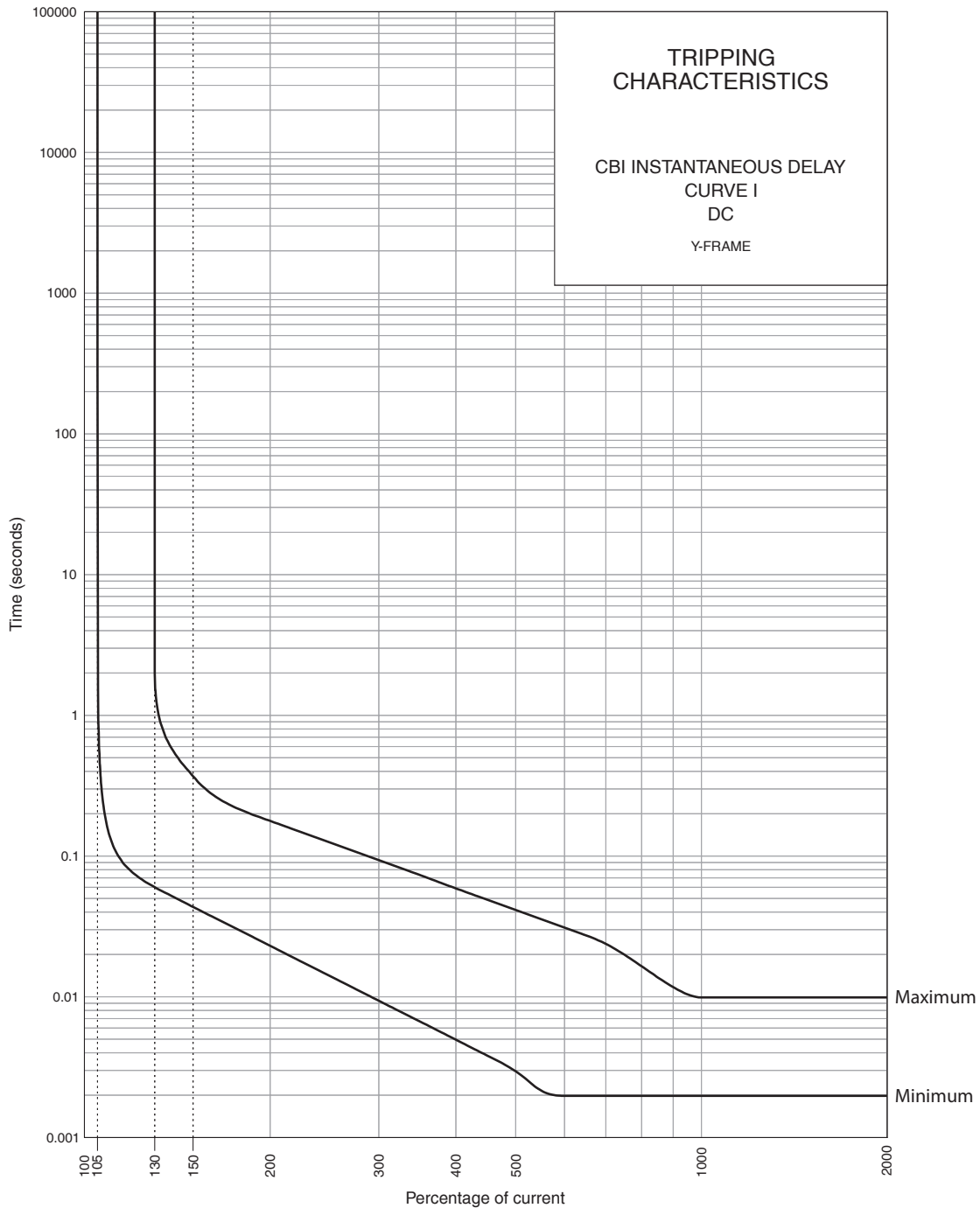
Ordering Information continues

| Group 8: Shunt Trip | Code | Description | Comments |
|--------------------------------|------|--|--|
| | - | Not applicable | if shunt trip is not required |
| | C | 12 Vdc Shunt trip (Box terminal) | <p>Recommended pulse tolerance 100 ms - 60 s</p> <p>Note: Shunt trip option carries no approvals - available as a special order only</p> |
| | D | 24 Vdc Shunt trip (Box terminal) | |
| | E | 48 Vdc Shunt trip (Box terminal) | |
| | G | 110 Vdc or 110 Vac Shunt trip (Box terminal) | |
| | H | 220 / 240 Vac Shunt trip (Box terminal) | |
| | | | |
| Group 9: Termination | Code | Description | Comments |
| | - | No busbar supplied - if applicable the busbar / Cable is to be provided & fitted by the customer | |
| | S | Factory fitted busbar - incoming circuit CONNECTION @ BOTTOM | |
| | U | Busbar to be supplied loose in a KIT FORM & to be field fitted by customer | |
| | T | Factory fitted Busbar - incoming circuit CONNECTION @ TOP | BUSBAR to be fitted @ the BOTTOM |
| Group 10: Customer Specific | Code | Description | Comments |
| | - | Not applicable | |

For options not listed, please contact CBI for assistance

YA-Frame - Miniature Circuit Breakers

Time Delay Curve

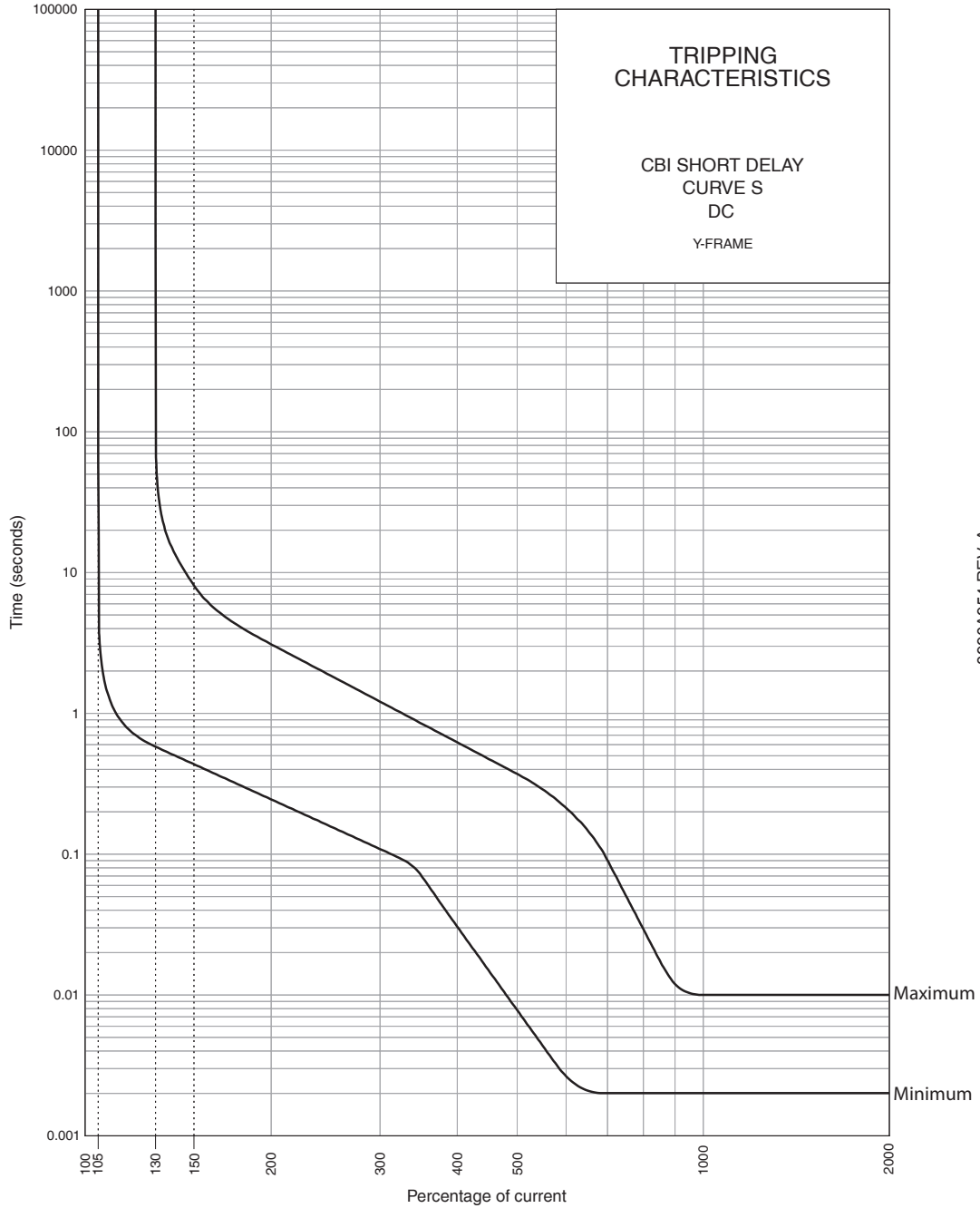


3990A961 REV. A

| PERCENTAGE OF RATED CURRENT | 105% | 130% | 150% | 200% | 300% | 400% | 500% | 600% | 700% | 800% | 900% | 1000% | 1200% |
|------------------------------|---------|------|------|------|-------|-------|-------|-------|-------|-------|-------|-------|-------|
| MINIMUM TRIP TIME IN SECONDS | NO TRIP | 0.06 | 0.04 | 0.02 | 0.009 | 0.005 | 0.003 | 0.002 | 0.002 | 0.002 | 0.002 | 0.002 | 0.002 |
| MAXIMUM TRIP TIME IN SECONDS | NO TRIP | 2 | 0.4 | 0.2 | 0.09 | 0.1 | 0.04 | 0.03 | 0.02 | 0.016 | 0.012 | 0.01 | 0.01 |

YA-Frame - Miniature Circuit Breakers

Time Delay Curve

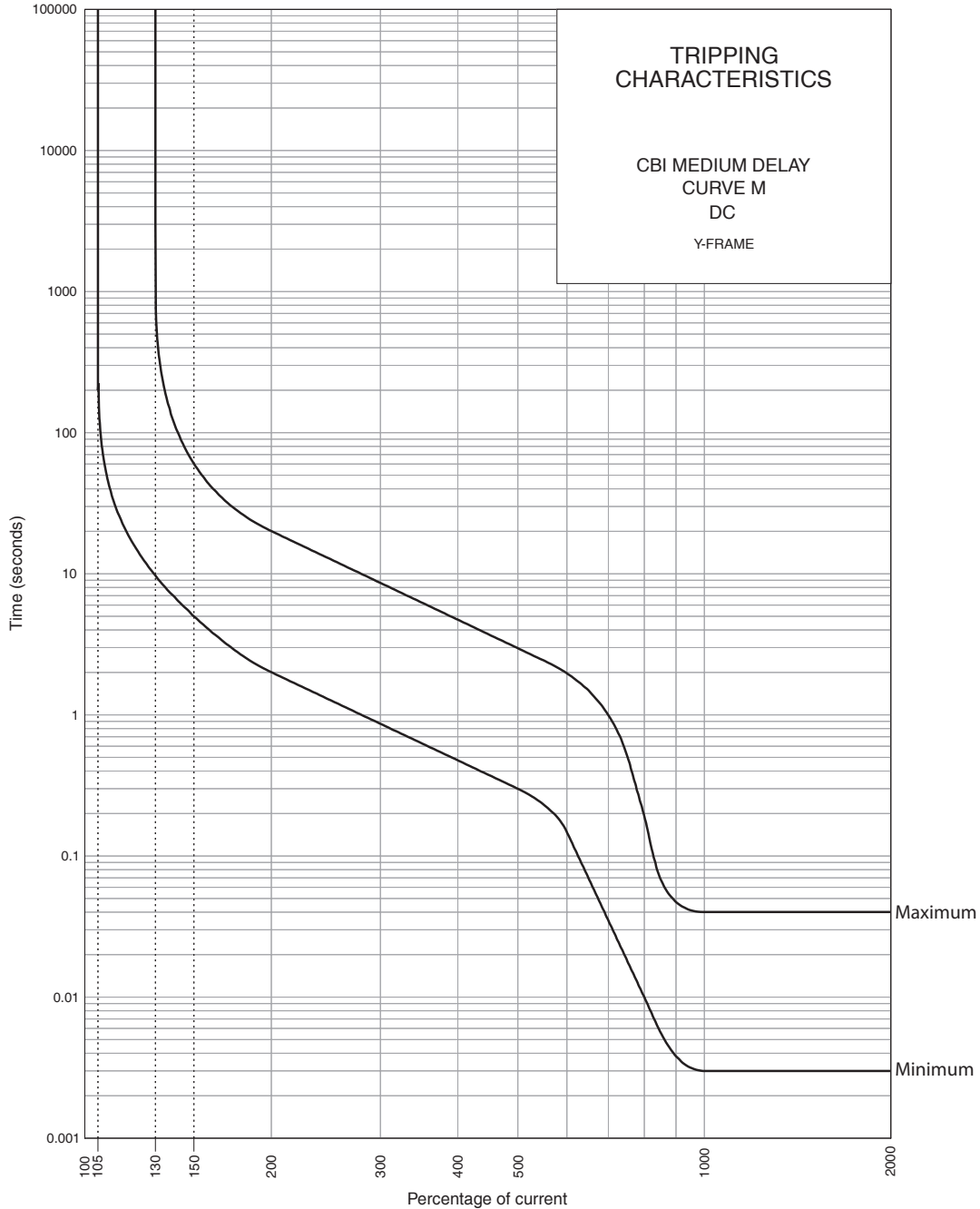


3990A954 REV. A

| PERCENTAGE OF RATED CURRRENT | 105% | 130% | 150% | 200% | 300% | 400% | 500% | 600% | 700% | 800% | 900% | 1000% | 1200% |
|------------------------------|---------|------|------|------|------|------|------|-------|-------|-------|-------|-------|-------|
| MINMUM TRIP TIME IN SECONDS | NO TRIP | 0.58 | 0.44 | 0.2 | 0.1 | 0.03 | 0.01 | 0.003 | 0.002 | 0.002 | 0.002 | 0.002 | 0.002 |
| MAXUMUM TRIP TIME IN SECONDS | NO TRIP | 3000 | 8.1 | 3.1 | 1.21 | 0.6 | 0.4 | 0.2 | 0.1 | 0.03 | 0.012 | 0.01 | 0.01 |

YA-Frame - Miniature Circuit Breakers

Time Delay Curve

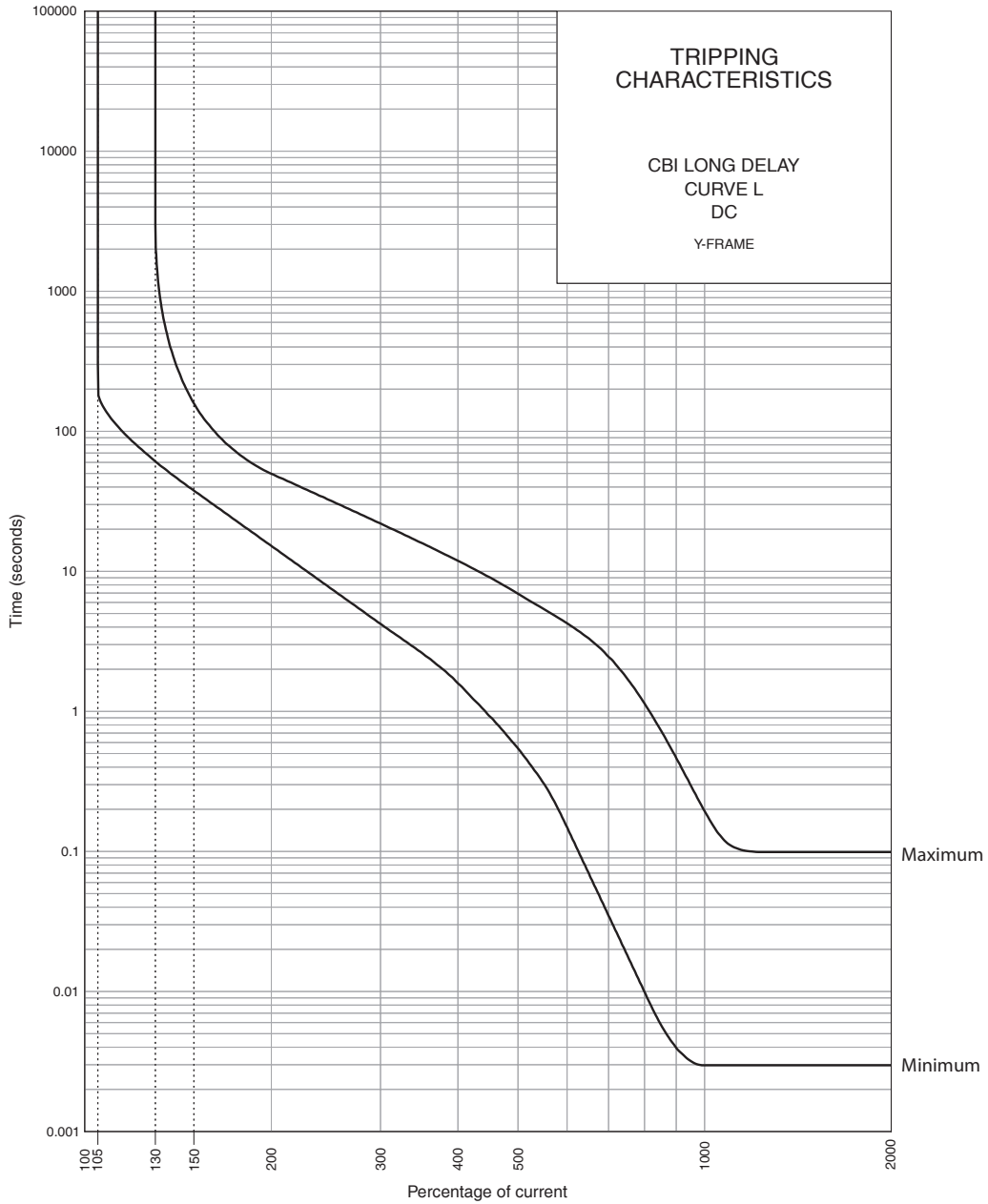


3990A883 REV. B

| PERCENTAGE OF RATED CURRENT | 105% | 130% | 150% | 200% | 300% | 400% | 500% | 600% | 700% | 800% | 900% | 1000% | 1200% |
|------------------------------|---------|------|------|------|------|------|------|------|------|------|-------|-------|-------|
| MINIMUM TRIP TIME IN SECONDS | NO TRIP | 9.7 | 4.99 | 2.0 | 0.9 | 0.48 | 0.3 | 0.15 | 0.03 | 0.01 | 0.004 | 0.003 | 0.003 |
| MAXIMUM TRIP TIME IN SECONDS | NO TRIP | 3000 | 60.0 | 20.0 | 8.62 | 4.7 | 3.0 | 1.97 | 0.99 | 0.19 | 0.05 | 0.04 | 0.04 |

YA-Frame - Miniature Circuit Breakers

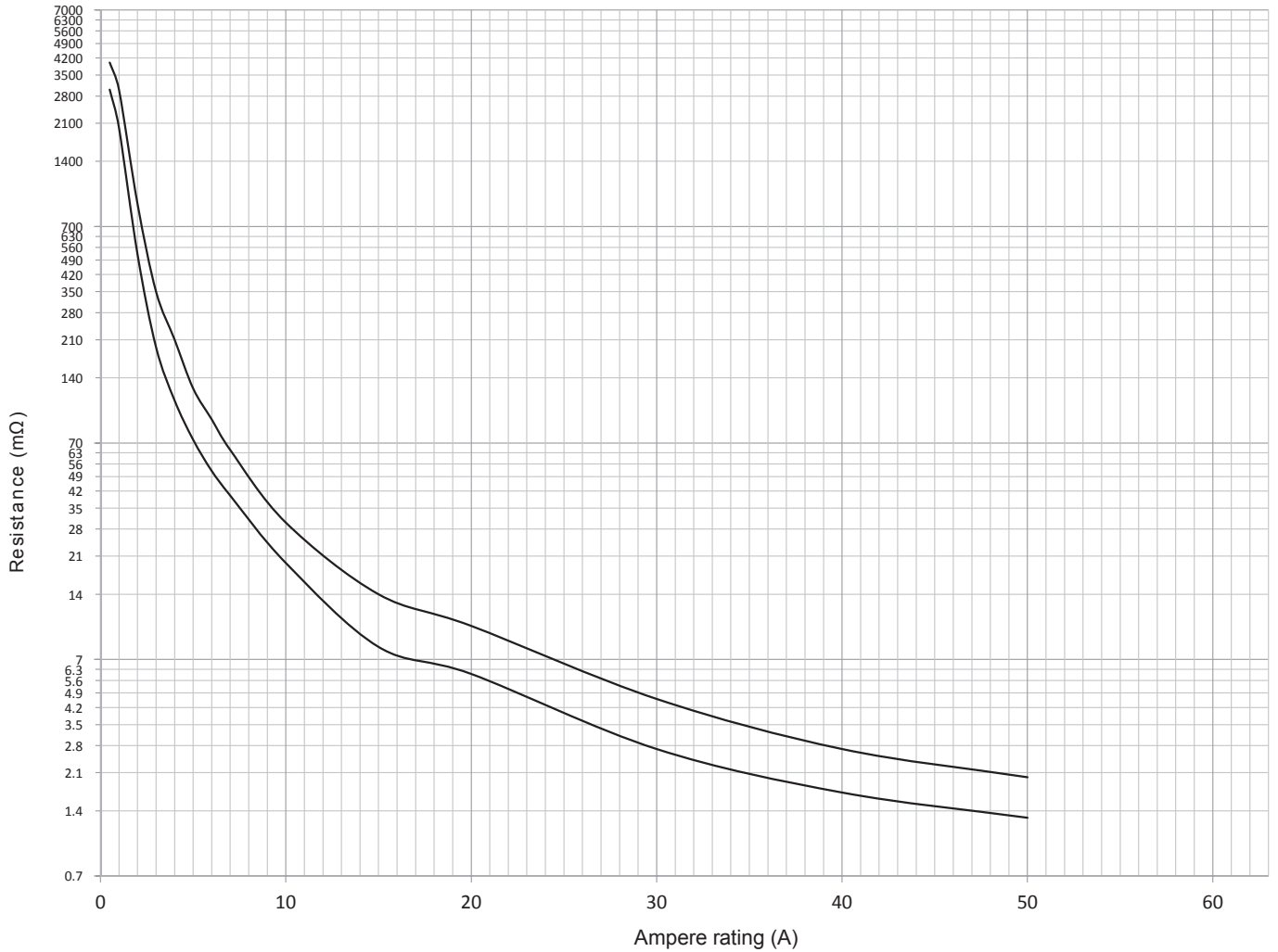
Time Delay Curve



| PERCENTAGE OF RATED CURRENT | 105% | 130% | 150% | 200% | 300% | 400% | 500% | 600% | 700% | 800% | 900% | 1000% | 1200% |
|------------------------------|---------|------|-------|------|-------|------|------|------|------|------|-------|-------|-------|
| MINIMUM TRIP TIME IN SECONDS | NO TRIP | 60.9 | 37.7 | 15.2 | 4.2 | 1.6 | 0.54 | 0.15 | 0.03 | 0.01 | 0.004 | 0.003 | 0.003 |
| MAXIMUM TRIP TIME IN SECONDS | NO TRIP | 3000 | 158.3 | 49.8 | 21.98 | 11.9 | 6.9 | 4.3 | 2.5 | 1.1 | 0.5 | 0.2 | 0.1 |

YA-Frame - Miniature Circuit Breakers

Resistance Curve



3990B0290 REV. A

| Amp RATING | 0.5 | 1 | 2 | 3 | 4 | 5 | 6 | 7 | 10 | 15 | 20 | 30 | 40 | 50 |
|--------------|------|------|-----|-----|-----|-----|----|----|------|----|----|-----|-----|-----|
| MINIMUM (mΩ) | 3000 | 2000 | 520 | 190 | 110 | 72 | 52 | 40 | 19.5 | 8 | 6 | 2.7 | 1.7 | 1.3 |
| MAXIMUM (mΩ) | 4000 | 3000 | 890 | 350 | 220 | 100 | 95 | 80 | 30 | 14 | 10 | 4.6 | 2.7 | 2.0 |

YA-Frame - Miniature Circuit Breakers

| DIN mounting 45 mm escutcheon | | | DIN mounting 57 mm escutcheon | |
|--|-------------|----------------------|-------------------------------|----------------------|
| AMP | BOM No. | Long Code | BOM No. | Long Code |
| One pole (13 mm total width) 300 Vdc Polarised, Positive Bottom | | | | |
| 0.5 A | YAD1M0A5B03 | YAD-1(13)-M-0.5A-B03 | YAM1M0A5B03 | YAM-1(13)-M-0.5A-B03 |
| 1 A | YAD1M001B03 | YAD-1(13)-M-1A-B03 | YAM1M001B03 | YAM-1(13)-M-1A-B03 |
| 2 A | YAD1M002B03 | YAD-1(13)-M-2A-B03 | YAM1M002B03 | YAM-1(13)-M-2A-B03 |
| 3 A | YAD1M003B03 | YAD-1(13)-M-3A-B03 | YAM1M003B03 | YAM-1(13)-M-3A-B03 |
| 5 A | YAD1M005B03 | YAD-1(13)-M-5A-B03 | YAM1M005B03 | YAM-1(13)-M-5A-B03 |
| 6 A | YAD1M006B03 | YAD-1(13)-M-6A-B03 | YAM1M006B03 | YAM-1(13)-M-6A-B03 |
| 10 A | YAD1M010B03 | YAD-1(13)-M-10A-B03 | YAM1M010B03 | YAM-1(13)-M-10A-B03 |
| 15 A | YAD1M015B03 | YAD-1(13)-M-15A-B03 | YAM1M015B03 | YAM-1(13)-M-15A-B03 |
| 16 A | YAD1M016B03 | YAD-1(13)-M-16A-B03 | YAM1M016B03 | YAM-1(13)-M-16A-B03 |
| 20 A | YAD1M020B03 | YAD-1(13)-M-20A-B03 | YAM1M020B03 | YAM-1(13)-M-20A-B03 |
| 25 A | YAD1M025B03 | YAD-1(13)-M-25A-B03 | YAM1M025B03 | YAM-1(13)-M-25A-B03 |
| 30 A | YAD1M030B03 | YAD-1(13)-M-30A-B03 | YAM1M030B03 | YAM-1(13)-M-30A-B03 |
| 32 A | YAD1M032B03 | YAD-1(13)-M-32A-B03 | YAM1M032B03 | YAM-1(13)-M-32A-B03 |
| 35 A | YAD1M035B03 | YAD-1(13)-M-35A-B03 | YAM1M035B03 | YAM-1(13)-M-35A-B03 |
| 40 A | YAD1M040B03 | YAD-1(13)-M-40A-B03 | YAM1M040B03 | YAM-1(13)-M-40A-B03 |
| 45 A | YAD1M045B03 | YAD-1(13)-M-45A-B03 | YAM1M045B03 | YAM-1(13)-M-45A-B03 |
| 50 A | YAD1M050B03 | YAD-1(13)-M-50A-B03 | YAM1M050B03 | YAM-1(13)-M-50A-B03 |
| Two pole (26 mm total width) 300 Vdc Polarised (1 + 1 = 2 Pole) - Positive bottom, Positive top | | | | |
| 0.5 A | YAD2M0A5BT3 | YAD-2(13)-M-0.5A-BT3 | YAM2M0A5BT3 | YAM-2(13)-M-0.5A-BT3 |
| 1 A | YAD2M001BT3 | YAD-2(13)-M-1A-BT3 | YAM2M001BT3 | YAM-2(13)-M-1A-BT3 |
| 2 A | YAD2M002BT3 | YAD-2(13)-M-2A-BT3 | YAM2M002BT3 | YAM-2(13)-M-2A-BT3 |
| 3 A | YAD2M003BT3 | YAD-2(13)-M-3A-BT3 | YAM2M003BT3 | YAM-2(13)-M-3A-BT3 |
| 5 A | YAD2M005BT3 | YAD-2(13)-M-5A-BT3 | YAM2M005BT3 | YAM-2(13)-M-5A-BT3 |
| 6 A | YAD2M006BT3 | YAD-2(13)-M-6A-BT3 | YAM2M006BT3 | YAM-2(13)-M-6A-BT3 |
| 10 A | YAD2M010BT3 | YAD-2(13)-M-10A-BT3 | YAM2M010BT3 | YAM-2(13)-M-10A-BT3 |
| 15 A | YAD2M015BT3 | YAD-2(13)-M-15A-BT3 | YAM2M015BT3 | YAM-2(13)-M-15A-BT3 |
| 16 A | YAD2M016BT3 | YAD-2(13)-M-16A-BT3 | YAM2M016BT3 | YAM-2(13)-M-16A-BT3 |
| 20 A | YAD2M020BT3 | YAD-2(13)-M-20A-BT3 | YAM2M020BT3 | YAM-2(13)-M-20A-BT3 |
| 25 A | YAD2M025BT3 | YAD-2(13)-M-25A-BT3 | YAM2M025BT3 | YAM-2(13)-M-25A-BT3 |
| 30 A | YAD2M030BT3 | YAD-2(13)-M-30A-BT3 | YAM2M030BT3 | YAM-2(13)-M-30A-BT3 |
| 32 A | YAD2M032BT3 | YAD-2(13)-M-32A-BT3 | YAM2M032BT3 | YAM-2(13)-M-32A-BT3 |
| 35 A | YAD2M035BT3 | YAD-2(13)-M-35A-BT3 | YAM2M035BT3 | YAM-2(13)-M-35A-BT3 |
| 40 A | YAD2M040BT3 | YAD-2(13)-M-40A-BT3 | YAM2M040BT3 | YAM-2(13)-M-40A-BT3 |
| 45 A | YAD2M045BT3 | YAD-2(13)-M-45A-BT3 | YAM2M045BT3 | YAM-2(13)-M-45A-BT3 |
| 50 A | YAD2M050BT3 | YAD-2(13)-M-50A-BT3 | YAM2M050BT3 | YAM-2(13)-M-50A-BT3 |

YA-Frame - Miniature Circuit Breakers

| DIN mounting 45 mm escutcheon | | | DIN mounting 57 mm escutcheon | |
|---|-------------|----------------------|-------------------------------|----------------------|
| AMP | BOM No. | Long Code | BOM No. | Long Code |
| Four pole - (52 mm total width) 400 Vdc Polarised, series connection | | | | |
| 0.5 A | YAD4M0A5BU4 | YAD-4(13)-M-0.5A-BU4 | YAM4M0A5BU4 | YAM-4(13)-M-0.5A-BU4 |
| 1 A | YAD4M001BU4 | YAD-4(13)-M-1A-BU4 | YAM4M001BU4 | YAM-4(13)-M-1A-BU4 |
| 2 A | YAD4M002BU4 | YAD-4(13)-M-2A-BU4 | YAM4M002BU4 | YAM-4(13)-M-2A-BU4 |
| 3 A | YAD4M003BU4 | YAD-4(13)-M-3A-BU4 | YAM4M003BU4 | YAM-4(13)-M-3A-BU4 |
| 5 A | YAD4M005BU4 | YAD-4(13)-M-5A-BU4 | YAM4M005BU4 | YAM-4(13)-M-5A-BU4 |
| 6 A | YAD4M006BU4 | YAD-4(13)-M-6A-BU4 | YAM4M006BU4 | YAM-4(13)-M-6A-BU4 |
| 10 A | YAD4M010BU4 | YAD-4(13)-M-10A-BU4 | YAM4M010BU4 | YAM-4(13)-M-10A-BU4 |
| 15 A | YAD4M015BU4 | YAD-4(13)-M-15A-BU4 | YAM4M015BU4 | YAM-4(13)-M-15A-BU4 |
| 16 A | YAD4M016BU4 | YAD-4(13)-M-16A-BU4 | YAM4M016BU4 | YAM-4(13)-M-16A-BU4 |
| 20 A | YAD4M020BU4 | YAD-4(13)-M-20A-BU4 | YAM4M020BU4 | YAM-4(13)-M-20A-BU4 |
| 25 A | YAD4M025BU4 | YAD-4(13)-M-25A-BU4 | YAM4M025BU4 | YAM-4(13)-M-25A-BU4 |
| 30 A | YAD4M030BU4 | YAD-4(13)-M-30A-BU4 | YAM4M030BU4 | YAM-4(13)-M-30A-BU4 |
| 32 A | YAD4M032BU4 | YAD-4(13)-M-32A-BU4 | YAM4M032BU4 | YAM-4(13)-M-32A-BU4 |
| Two pole (26 mm total width) 600 Vdc - Series connection | | | | |
| 0.5 A | YAD2M0A5BT6 | YAD-2(13)-M-0.5A-BT6 | YAM2M0A5BT6 | YAM-2(13)-M-0.5A-BT6 |
| 1 A | YAD2M001BT6 | YAD-2(13)-M-1A-BT6 | YAM2M001BT6 | YAM-2(13)-M-1A-BT6 |
| 2 A | YAD2M002BT6 | YAD-2(13)-M-2A-BT6 | YAM2M002BT6 | YAM-2(13)-M-2A-BT6 |
| 3 A | YAD2M003BT6 | YAD-2(13)-M-3A-BT6 | YAM2M003BT6 | YAM-2(13)-M-3A-BT6 |
| 5 A | YAD2M005BT6 | YAD-2(13)-M-5A-BT6 | YAM2M005BT6 | YAM-2(13)-M-5A-BT6 |
| 6 A | YAD2M006BT6 | YAD-2(13)-M-6A-BT6 | YAM2M006BT6 | YAM-2(13)-M-5A-BT6 |
| 10 A | YAD2M010BT6 | YAD-2(13)-M-10A-BT6 | YAM2M010BT6 | YAM-2(13)-M-10A-BT6 |
| 15 A | YAD2M015BT6 | YAD-2(13)-M-15A-BT6 | YAM2M015BT6 | YAM-2(13)-M-15A-BT6 |
| 16 A | YAD2M016BT6 | YAD-2(13)-M-16A-BT6 | YAM2M016BT6 | YAM-2(13)-M-16A-BT6 |
| 20 A | YAD2M020BT6 | YAD-2(13)-M-20A-BT6 | YAM2M020BT6 | YAM-2(13)-M-20A-BT6 |
| 25 A | YAD2M025BT6 | YAD-2(13)-M-25A-BT6 | YAM2M025BT6 | YAM-2(13)-M-25A-BT6 |
| 30 A | YAD2M030BT6 | YAD-2(13)-M-30A-BT6 | YAM2M030BT6 | YAM-2(13)-M-30A-BT6 |
| 32 A | YAD2M032BT6 | YAD-2(13)-M-32A-BT6 | YAM2M032BT6 | YAM-2(13)-M-32A-BT6 |
| 35 A | YAD2M035BT6 | YAD-2(13)-M-35A-BT6 | YAM2M032BT6 | YAM-2(13)-M-35A-BT6 |
| 40 A | YAD2M040BT6 | YAD-2(13)-M-40A-BT6 | YAM2M040BT6 | YAM-2(13)-M-40A-BT6 |
| 45 A | YAD2M045BT6 | YAD-2(13)-M-45A-BT6 | YAM2M045BT6 | YAM-2(13)-M-45A-BT6 |
| 50 A | YAD2M050BT6 | YAD-2(13)-M-50A-BT6 | YAM2M050BT6 | YAM-2(13)-M-50A-BT6 |

Note:

The "M" after the number in the Re-order number i.e. YAD2M0A5B04 represents the time delay tripping curves

If a different curve is required please replace the "M" with the appropriate curve

YA-Frame - Miniature Circuit Breakers

Possible Connection Diagrams

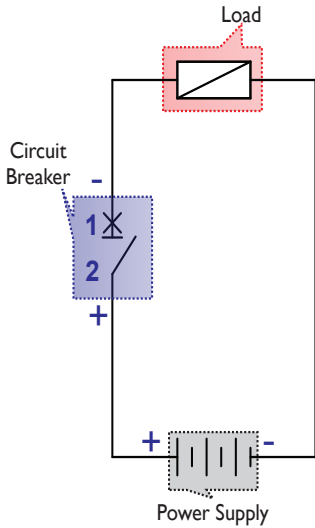


Figure 1:
Single Pole
Single Break
(300 Vdc, B03)
(300 Vdc / Pole)

Figure 1: Single Pole, Single Break (300 Vdc - B03)

This circuit makes use of a single pole circuit breaker connected in series with the load.

Figure 2: Double Pole, Single Break (600 Vdc - BT6)

This circuit makes use of a double pole circuit breaker connected in series with the load.

Figure 3: Double Pole, Double Break. Isolates load
(300 Vdc, 400 Vdc, 600 Vdc - B03)

This circuit makes use of a double pole circuit breaker where the load is between the contacts, providing full isolation to the load.

Figure 4: Double Pole, Double Break. Isolates load
(300 Vdc, 400 Vdc, 600 Vdc - BT3)

This circuit makes use of a double pole circuit breaker where the load is between the contacts, providing full isolation to the load.

Figure 5: Four Pole, Double Break. Isolates Load
(400 Vdc - BU4)

This circuit makes use of a four pole circuit breaker where the load is between the contacts, providing full isolation to the load

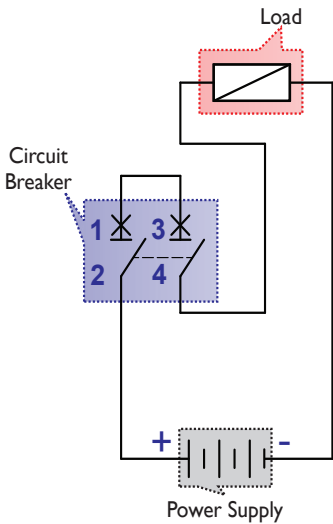


Figure 2:
Double Pole, Single Break
(600 Vdc, BT6)
(300 Vdc / Pole)

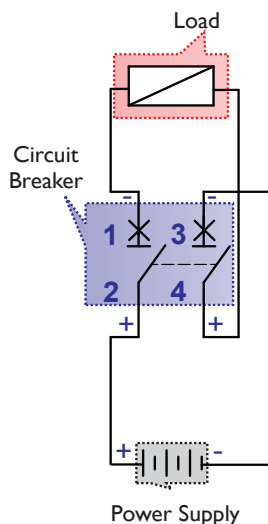


Figure 3:
Double Pole, Double Break
Isolates Load
(300 Vdc, 400 Vdc, 600 Vdc, B03)
(300 Vdc / Pole)

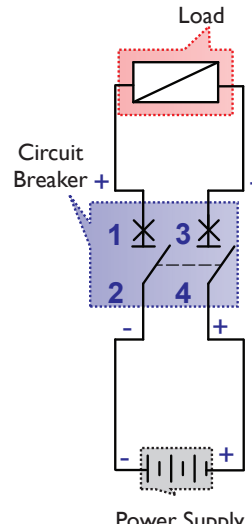


Figure 4:
Double Pole, Double Break
Isolates Load
(300 Vdc, 400 Vdc, 600 Vdc, BT3)
(300 Vdc / Pole)

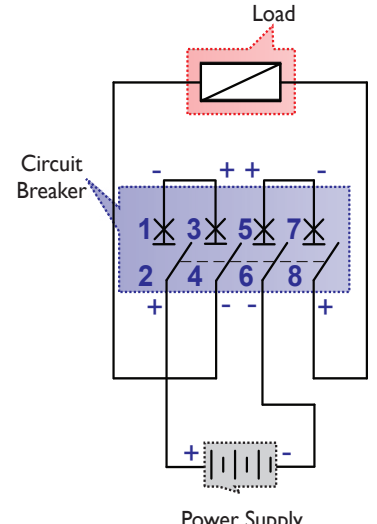


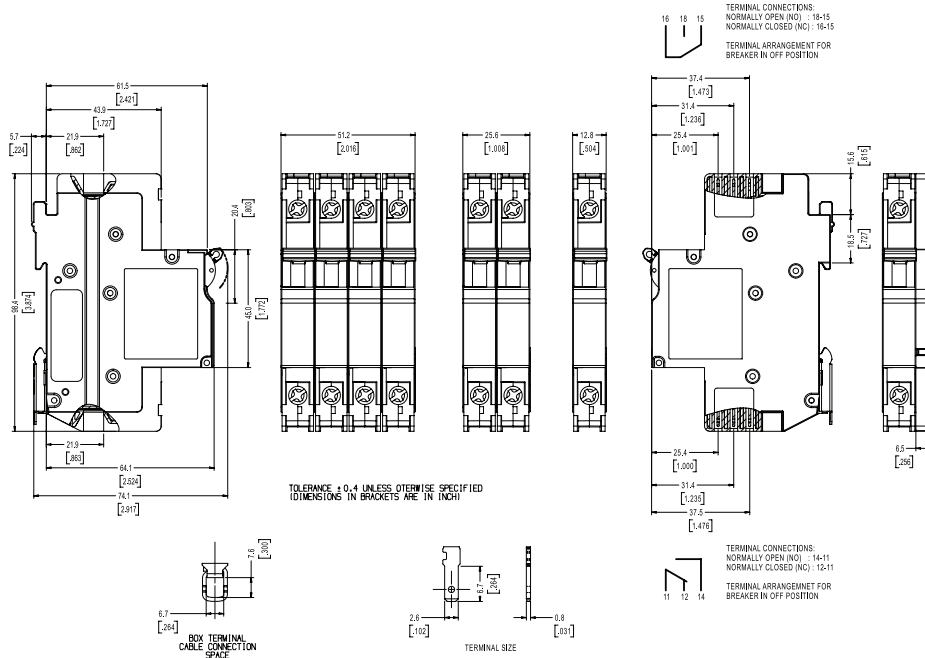
Figure 5:
Four Pole, Double
Break
Isolates Load
(400 Vdc, BU4)
(300 Vdc / Pole)

Notes:

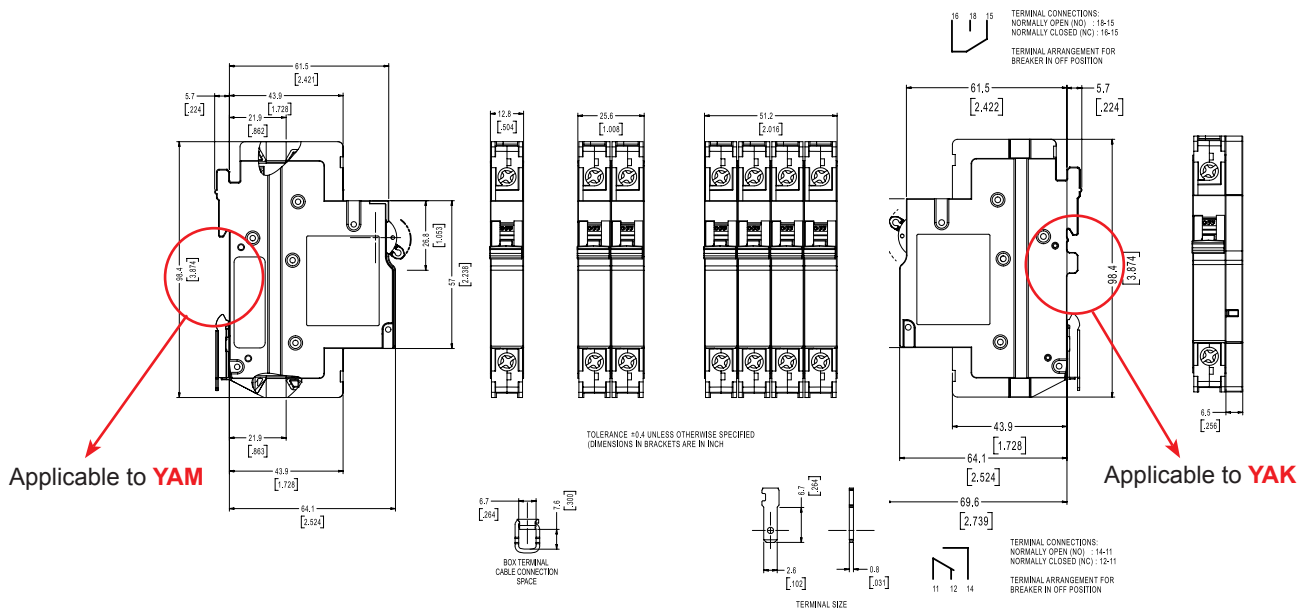
1. Products are rated at 300 Vdc per pole, and will function at voltages below rated voltage.
2. Other types of connections are possible.
3. Products are NOT Reverse feedable.
4. Verify for the specific application and ensure compliance.

YA-Frame - Miniature Circuit Breakers

Outline Dimensions: DIN Mount 45 mm (YAD) Front Escutcheon (Grey)



Outline Dimensions: Dual Mount (DIN and Mini Rail) 57 mm (YAK) Front Escutcheon (Black) DIN Mount 57 mm (YAM) Front Escutcheon (Black)



Please review our Customer Terms and Conditions on www.cbi-lowvoltage.co.za

All rights reserved. Unless otherwise indicated, all materials on these pages are copyrighted by CBI (Pty) Ltd. No part of these pages, either text or image may be used for any purpose other than personal use. Therefore, reproduction, modification, storage in a retrieval system or retransmission, in any form or by any means, electronic, mechanical or otherwise, for reasons other than personal use, is strictly prohibited without prior written permission. CBI (Pty) Ltd reserves the right to alter any details of this document without notice and while every effort is made to ensure the accuracy of the content, no warranty is given as to the accuracy of this document and no responsibility will be accepted for error or misinterpretation and any resulting loss.

AUSTRALIA
CBI-electric: Australia
 27 Wedgewood Rd, Hallam
 Victoria 3803 Australia
 Tel: +61 3 8752 9300
 Fax: +61 3 9796 5407
 Email: sales@cbi-electric.com.au
 Website: www.cbi-electric.com.au

INDIA
CBI-electric: Asia
 A1, Pushpagiri Residency, 1st Cross
 2nd Main, Jyothi Nagar, B.G Road
 Bengaluru 560083, India
 Tel: +91-9880553153
 Email: salesasia@cbi-electric.com
 Website: www.cbibreakers.com
 Website: www.cbi-lowvoltage.com

SOUTH AFRICA
CBI-electric: low voltage
 Tripswitch Drive Elandsfontein
 Gauteng South Africa
 Tel: +27 11 928 2000
 Fax: +27 11 392 2354
 Email: cbi@cbi-electric.com
internationalsales@cbi-electric.com
 Website: www.cbi-lowvoltage.com

USA
CBI-electric: North America
 35 E. Uwchlan Ave Suite 328
 Exton PA 19341 USA
 Tel: +1 610 524 9949
 Fax: +1 610 524 9945
 E-mail: info@cbibreakers.com
 Website: www.cbibreakers.com