

### Features:

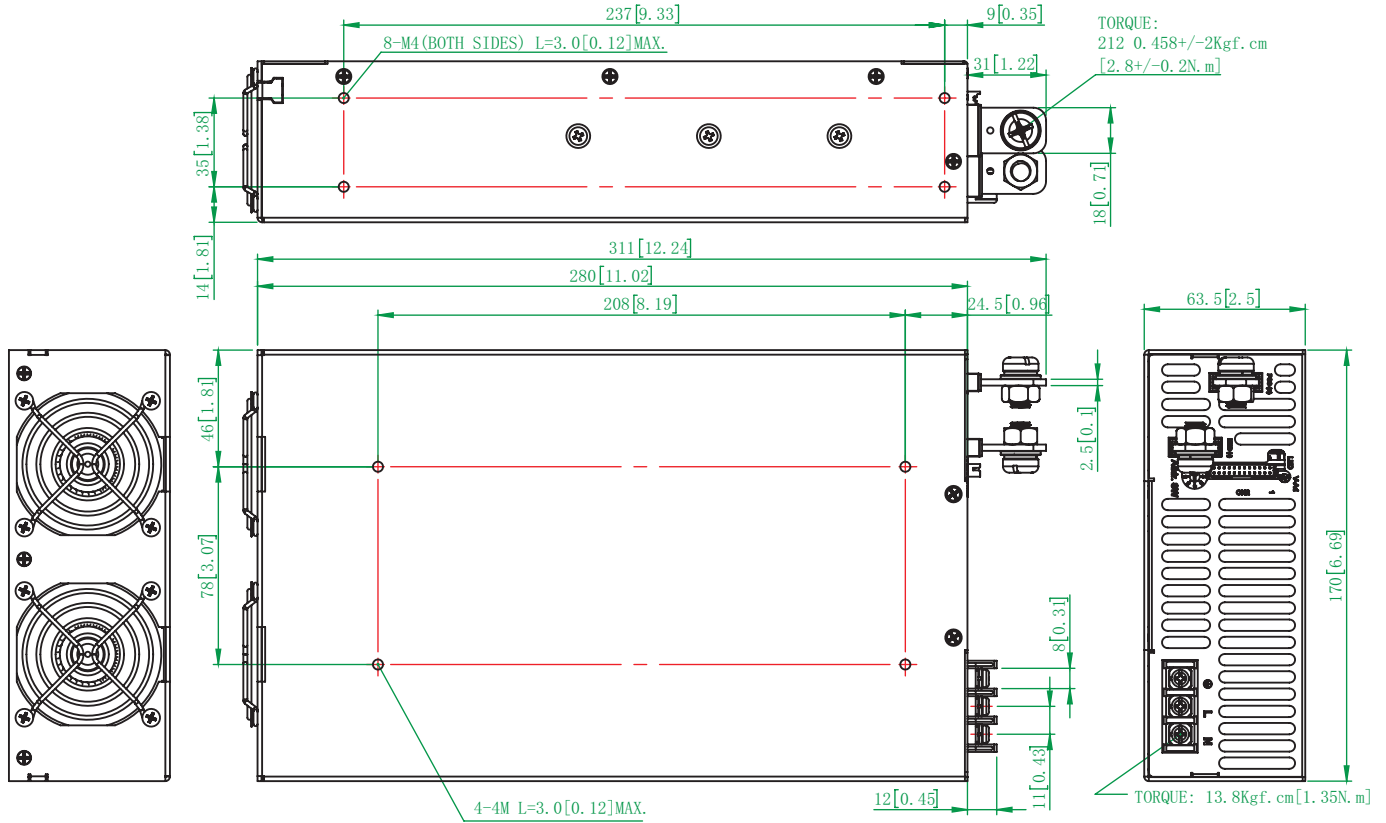
- Universal AC input / Full range
- Programmable output Voltage (0% ~ 105%)
- Programmable output Current (0% ~ 105%)
- Built-in active PFC Function
- Forced current sharing at parallel operation (Refer to pg. 5 for connection diagram)
- Constant current limit
- Selectable +5V / 0.5A or +9V / 0.3A auxiliary output
- Global control via RS232
- Remote setting multiple PSU via RS232, RS485 & I<sup>2</sup>C
- Power OK signal
- Remote ON / OFF, Remote sense function
- Protection: OVP, OLP, OTP, SCP, Fan failure



MODEL		AEK-3000-12	AEK-3000-15	AEK-3000-24	AEK-3000-30	AEK-3000-36	AEK-3000-48	AEK-3000-60	
Output	DC Voltage Rated	12V	15V	24V	30V	36V	48V	60V	
	Rated Current	200A	160A	125A	100A	83.5A	62.5A	50A	
	Current Range	0~200A	0~160A	0~125A	0 ~ 100A	0 ~ 83.5A	0 ~ 62.5A	0 ~ 50A	
	Rated Power	2400W	2400W	3000W	3000W	3006W	3000W	3000W	
	Ripple & Noise (Max.)	Note.2 150mVp-p	150mVp-p	240mVp-p	300mVp-p	360mVp-p	480mVp-p	600mVp-p	
	Voltage Adj. Range	±5.0% Typical adjustment by potentiometer. (Via V-Adj from PSU front panel)							
	Voltage Tolerance	Note.3 ±2.0% (rated output voltage of single unit)							
	Current Tolerance	±3.0% (rated output current of single unit)							
	Line Regulation	±1.0%							
	Load Regulation	±1.0%							
	Setup, Rise Time	800ms, 100ms at full load							
Hold Up Time (Typ.)	14ms / 230VAC at full load								
Input	Voltage Range	Note.4 90 ~ 264VAC, 127 ~ 370VDC (Refer to de-rating curve)							
	Frequency Range	47 ~ 63Hz							
	Power Factor (Typ.)	0.95 / 230VAC, 0.98 / 115VAC at full load							
	Efficiency (Max.)	88%	89%	91%	91%	92%	92%	93%	
	AC Current (Max.)	19.7A / 115VAC (2000W), 16.5A / 230VAC (3000W)							
	Inrush Current (Typ.)	33A / 115VAC, 65A / 230VAC							
Leakage Current	< 3.5mA (240VAC)								
Protection	Over Load	105% rated output power Protection type: Constant current limit							
	Over Voltage	Variable OVP Refer to VCI VS OVP curve.(OVP Tolerance ±7%) Protection type: Latch-style (Recovery after reset AC power ON or inhibit)							
	Over Temperature	85 ±5°C detect on NTC, Protection type: Auto recovery after temperature goes down							
Function	Auxiliary Power	Selectable +5V / 0.5A or +9V / 0.3A auxiliary output							
	Remote ON / OFF Control	By external switch							
	Power OK Signal	Open drain signal low when PSU turns on, Max. sink current: 20mA, Max. drain voltage: 40V.							
	Output Voltage Trim	Adjustment of output voltage is between 0 ~ 105% of rated output							
	Output Current Trim	Adjustment of output current is between 0 ~ 105% of rated output							
Parallel (Current Sharing)	Note.5	Please refer to page 5							
Environment	Working Temp.	-20 ~ +60°C (Refer to de-rating curve)							
	Working Humidity	20 ~ 90% RH non-condensing							
	Storage Temp. & Humidity	-40 ~ +85°C, 10 ~ 95% RH							
	Temp. Coefficient	±0.02% / °C (0 ~ 50°C)							
	Vibration	10 ~ 500Hz, 2G 10min. / 1cycle, period for 60min. each along X, Y, Z axes Compliance to IEC 60068-2-6, IEC 60068-2-64							
Safety & EMC	Safety Standards	Certified UL 62368-1; EN 62368-1							
	Withstand Voltage	Note.7	I/P-O/P: 3KVAC (4242VDC), I/P-FG: 1.5KVAC (2121VDC), O/P-FG: 0.5KVAC (707VDC)						
	Isolation Resistance	I/P-O/P, I/P-FG, O/P-FG: 100M Ohms / 500VDC (25°C/70%PH)							
	EMI Conduction & Radiation	Certified EN 55032							
	Power Harmonic & Voltage Fluctuation and Flicker	Certified EN 61000-3-2; EN 61000-3-3							
Note.6	EMS Immunity	Certified EN 55024; IEC 61000-4-2,3,4,5,6,8,11							
Others	MTBF	90.6K HRS Certified MIL-HDBK-217F							
	Cooling	Load and temperature control fan							
	Dimension (WxHxD)	170x64x280 mm / 6.69x2.52x11.02 inch							
	Packing	3.9kg; 6pcs / 25.9kg / 2.48CUFT							
Note	<p>1. All parameters NOT specially mentioned are measured at 230VAC input, rated load and 25°C of ambient temperature.</p> <p>2. Ripple &amp; noise are measured at 20MHz of bandwidth by using a 12" twisted pair-wire terminated with a 0.1uF &amp; 47uF parallel capacitor.</p> <p>3. Tolerance: includes setup time tolerance, line regulation and load regulation.</p> <p>4. De-rating may apply in low input voltage. Please check the de-rating curve for more details.</p> <p>5. In parallel connection only one unit will operate if the total output load is less than 5% of the rated power.</p> <p>6. The power supply is considered a component which will be installed into a final equipment. The final equipment must be re-confirmed that it still meets EMC directives.</p> <p>7. This test is done without enclosure: I/P-O/P 4242VDC. If with enclosure: I/P-O/P 2121VDC, I/P-FG: 2121VDC, O/P-FG: 707VDC</p>								

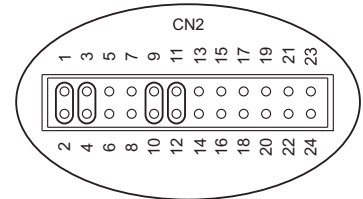
### Mechanical Drawings:

Unit:mm / inch



Recommended screw length is measured from the power supply surface  
AC Input Terminal Pin No. Assignment

Pin No.	Assignment
L	ACL
N	ACN
⏏	⏏



Control pin number assignment (CN2): JST S24B-PHDSS or equivalent

Pin No.	Assignment	Pin No.	Assignment	Pin No.	Assignment	Mating Housing / Contact	
1	VS+	9	EN-	17	AUX	JST PHDR-24VS or equivalent	JST SPHD-002T-P0.5 or equivalent
2	VO+	10	GND	18	GND		
3	VS-	11	EN+	19	SCL		
4	VO-	12	AUX	20	SDA		
5	POK	13	ACI	21	AUX		
6	GND	14	GND	22	GND		
7	PAR	15	VCI	23	RX		
8	VSET	16	GND	24	TX		

### CN2 Function Description:

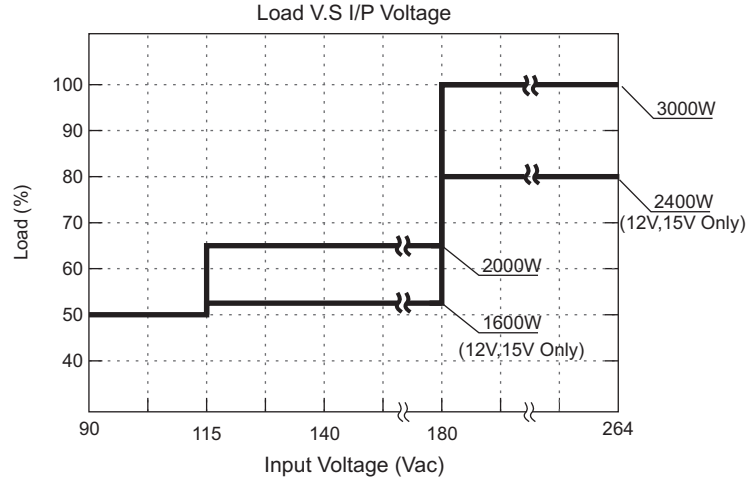
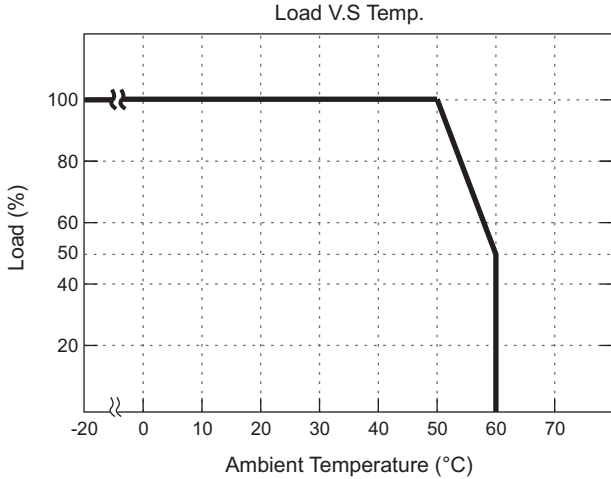
Pin No.	Function	Description	Pin No.	Function	Description	Mating Housing / Contact	
1	VS+	Remote sense (+)	13	ACI	I Program	JST PHDR-24VS or equivalent	JST SPHD-002T-P0.5 or equivalent
2	VO+	Positive output voltage	14	GND	Ground		
3	VS-	Remote sense (-)	15	VCI	V Program		
4	VO-	Negative output voltage	16	GND	Ground		
5	POK	Power OK	17	AUX	+5V / 0.5A or +9V / 0.3A Auxiliary power		
6	GND	Ground	18	GND	Ground		
7	PAR	Parallel operation current share	19	SCL	Serial Clock used in the I <sup>2</sup> C interface		
8	VSET	Aux output setting	20	SDA	Serial Data used in the I <sup>2</sup> C interface		
9	EN-	Inhibit ON/OFF (-)	21	AUX	+5V / 0.5A or +9V / 0.3A Auxiliary power		
10	GND	Ground	22	GND	Ground		
11	EN+	Inhibit ON/OFF (+)	23	RX	For RS232 Receiver function		
12	AUX	+5V / 0.5A or +9V / 0.3A Auxiliary power	24	TX	For RS232 Transmission function		

### LED Status:

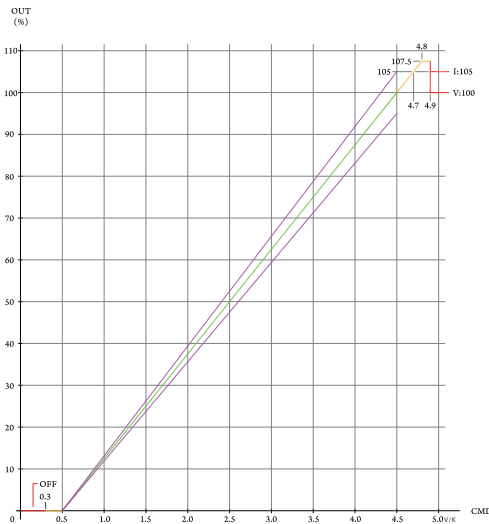
LED	LED Signal	Status
Solid(Green)		Power OK (Local mode)
Solid(Orange)		Power OK (Remote mode)
Slow Blink(Green)		Power Standby (Local mode)
Slow Blink(Orange)		Power Standby (Remote mode)
Fast Blink(Red)		Over Voltage Protection ( OVP )
Solid(Red)		Over Load Protection ( OLP )
Slow Blink(Red)		Over Temperature Protection ( OTP )
Intermittent Blink(Red)		Fan Failure
Interface Blink(Red)		Power Failure

\*Local mode : Use ACI/VCI control output current and voltage.  
Remote mode : Use RS-232 or I<sup>2</sup>C command control output current and voltage.

### De-rating Curve:

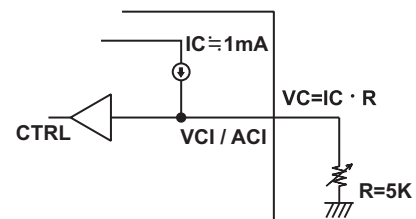
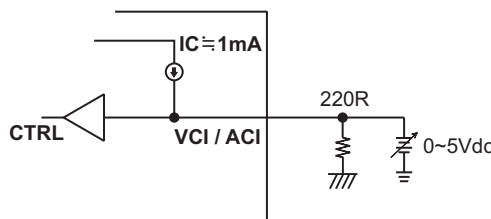
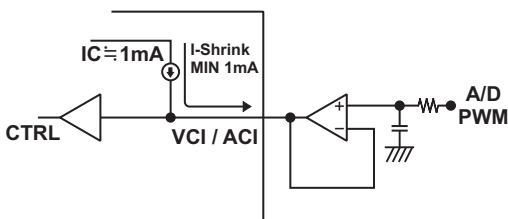
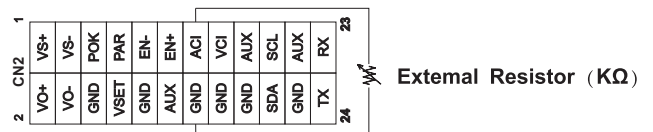
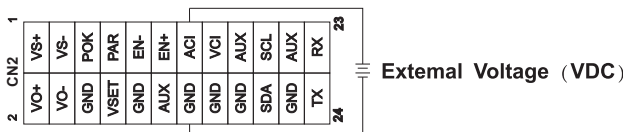
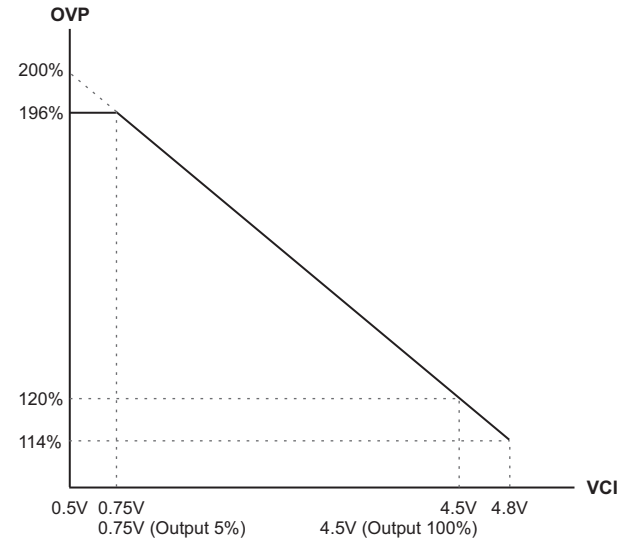


### CMD VS Output Curve:



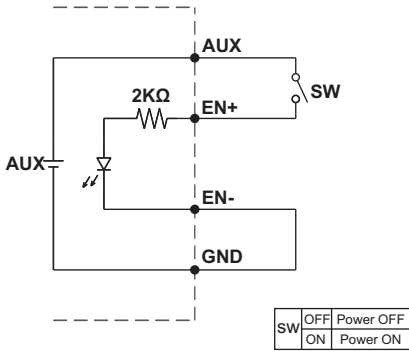
To ensure the power supply output voltage and current could be accurately adjusted, please make sure to adjust the output voltage and current > 10% vs. the rated voltage and current. (e.g. for a 24V unit, please adjust the DC output voltage above 2.4V to ensure accuracy; same applies to the output current)

### VCI VS OVP Curve:



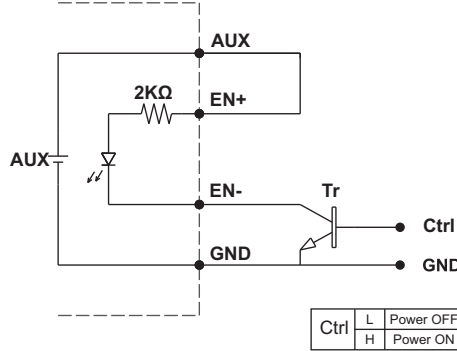
### Remote ON/OFF:

(A) Default Setting



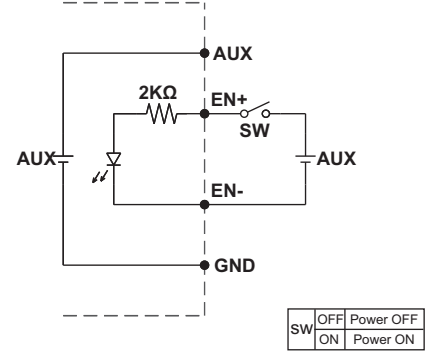
(A) Using internal 5V auxiliary source

(B)



(B) ON / OFF Control by NPN transistor

(C)



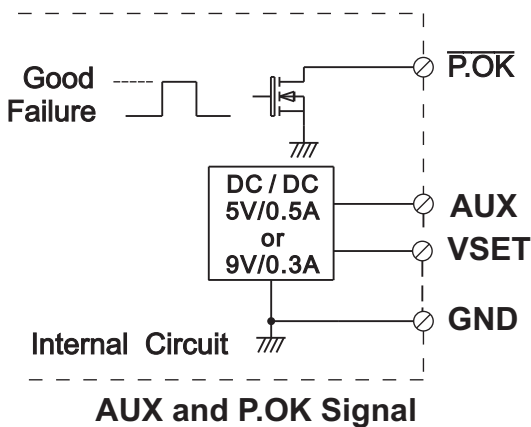
(C) Using external voltage source

\*GND shown in above diagram is referring to the GND of CN2, not the Grounding from main power(NEG-).\*

### Power OK Signal & Auxiliary Power Setting:

\*The grounding of "AUX" power and P.OK signal should be connected to "GND" port. If "VO-" is connected as Grounding, make sure to short the GND and VO- ports.

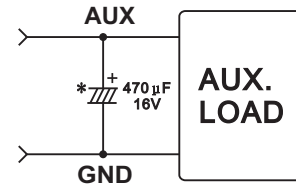
Open drain signal low when PSU turns on, Max.  
P.OK sink current: 20mA, Max. drain voltage: 40V.



AUX and P.OK Signal

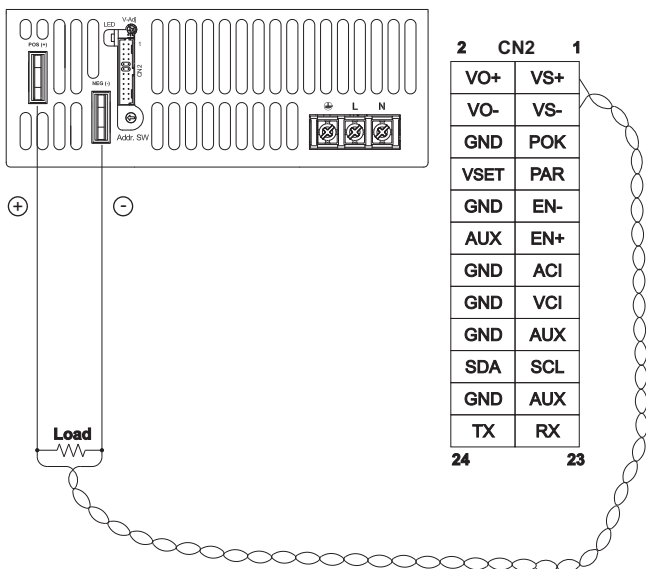
\*GND shown in above diagram is referring to the GND of CN2, not the Grounding from main power(NEG-).\*

\*Place an additional capacitor to have a better performance of auxiliary power operation.

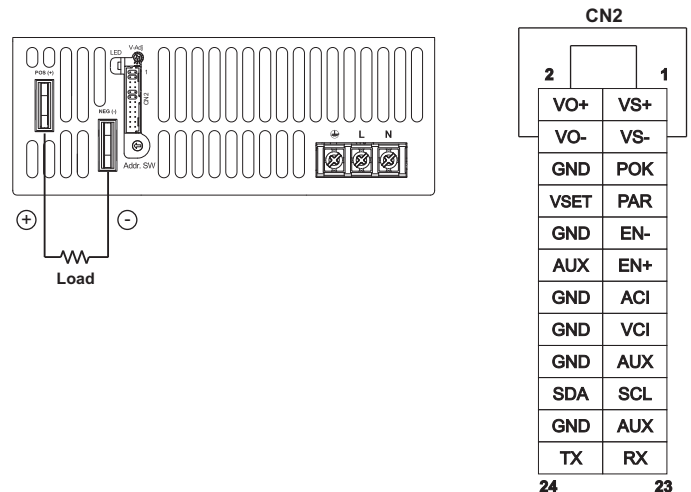


Do NOT exceed 5V/0.5A or 9V/0.3A

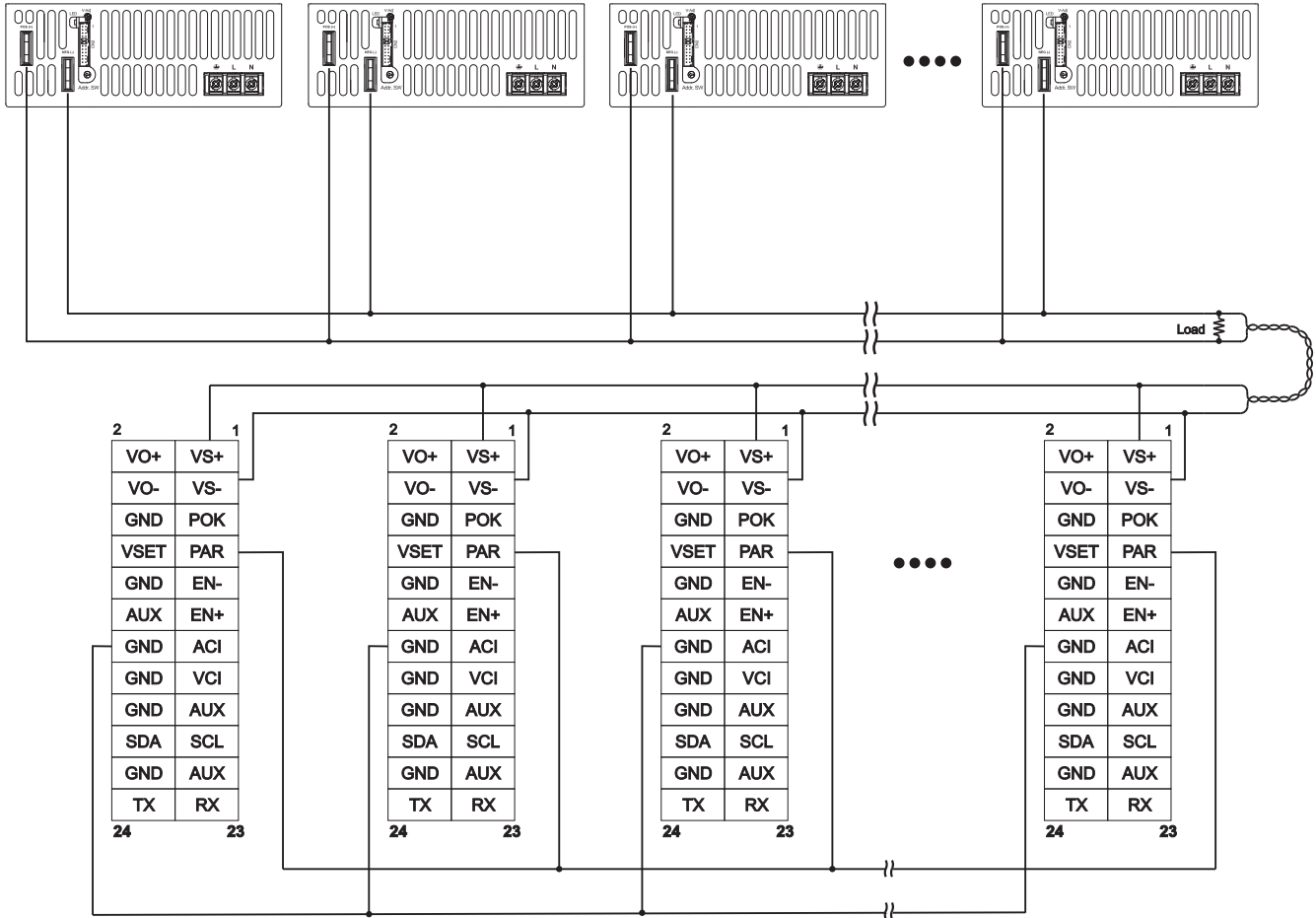
1. Remote Sense



2. Local Sense (Default setting)

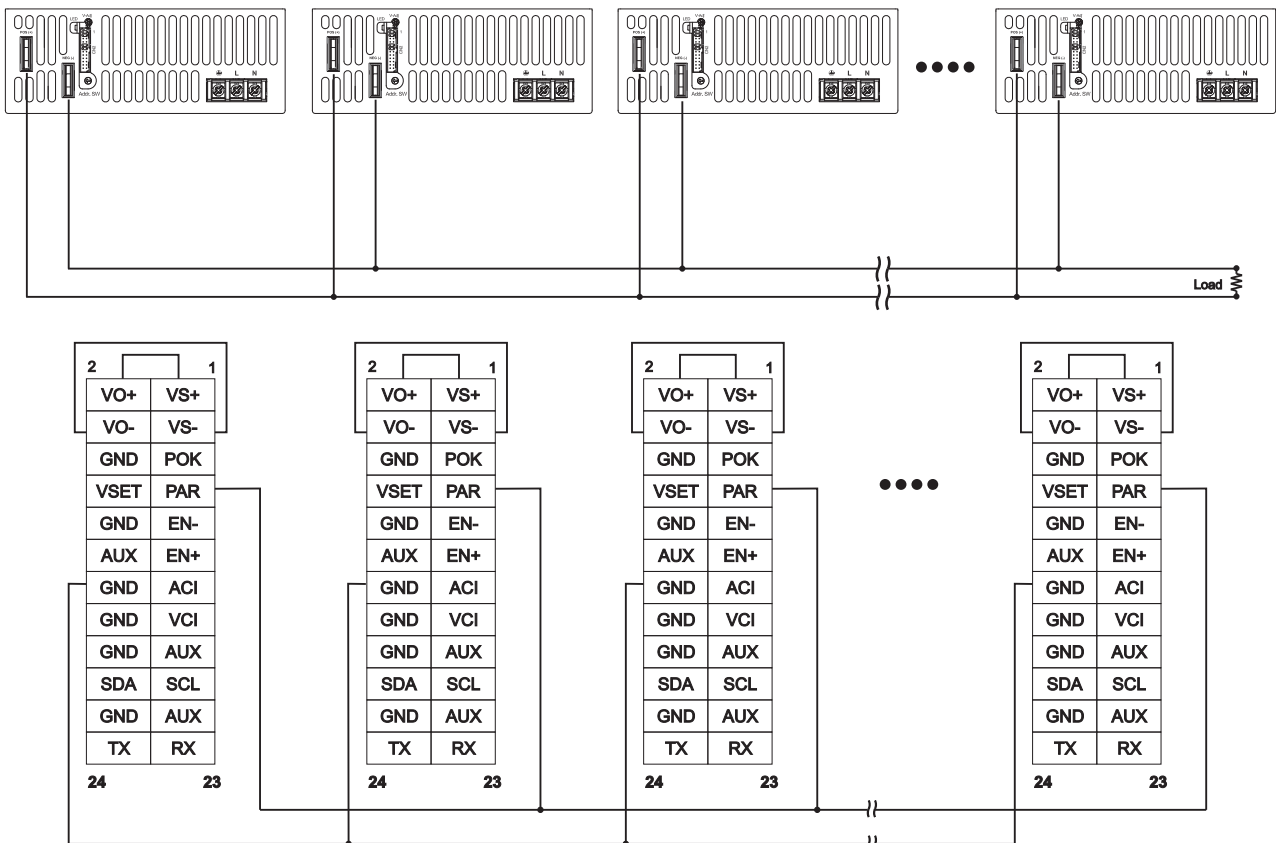


### 3. Current Sharing with Remote Sensing



Please connect PAR pins together for current sharing function  
For Series connection, make sure to isolate CN2 control signals

### 4. Current Sharing with Local Sensing

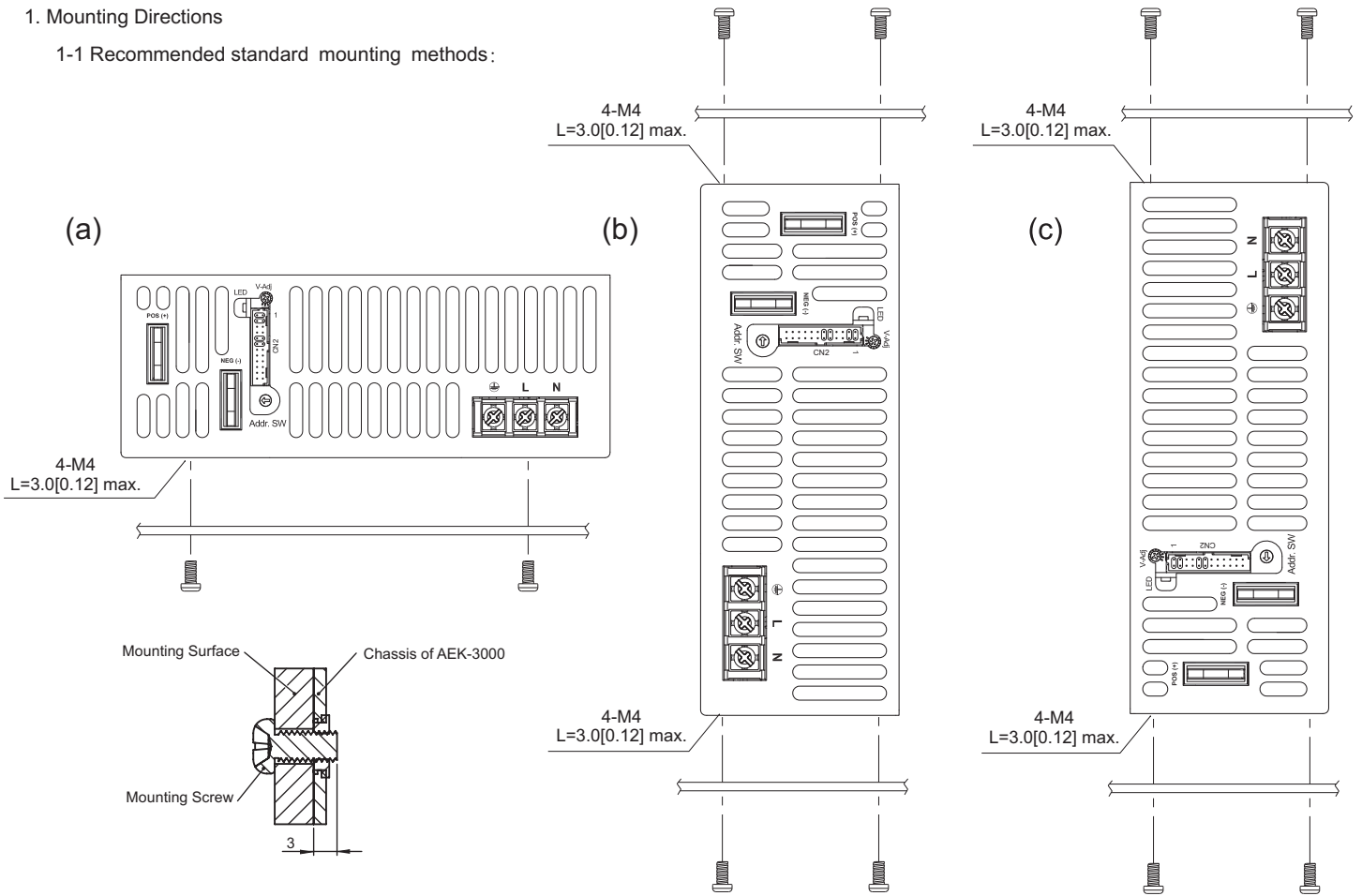


Please connect PAR pins together for current sharing function  
For Series connection, make sure to isolate CN2 control signals

### Installation Instruction:

#### 1. Mounting Directions

1-1 Recommended standard mounting methods:



Recommended screw length is measured from the power supply surface

#### 2. Mounting Method

2-1 There are ventilating holes on the front and back side panels, do not obstruct; allow 50mm at least for air flow.

2-2 The Maximum allowable penetration of screw is 3mm. Incomplete threading should not be penetrated.

2-3 Recommended the torque of mounting screw:  
M4 screw: 1.27N · m (13.0kgf · cm)

