



FORTRESS POWER

INSTALLATION/USER MANUAL

COMPLETE YOUR SOLUTION WITH **FORTRESS POWER** BATTERIES

FP-ENVY-12KW



***Batteries are not Included**

System Design Tool
SCAN HERE



*Important: Verify the system configuration before installing.
A proper system design is required for warranty purposes.
Improper system configuration will void the warranty.*

2024 Fortress Power, LLC. All rights reserved.
Information subject to change without notice.



FORTRESS POWER

TABLE OF CONTENTS

SAFETY	4
SAFETY INSTRUCTION	4
BRIEF INTRODUCTION	6
SYSTEM SOLUTION	6
UNBOXING	7
OVERVIEW AND REQUIREMENTS	8
CONNECTION OVERVIEW.....	8
CABLE REQUIREMENTS.....	8
INSIDE THE ENVY CABINET.....	9
<i>Connection Ports</i>	9
<i>Communication Board Ports</i>	9
ENVY DIMENSIONS	10
<i>Enclosure Specifications</i>	10
<i>Knockout Port Dimensions</i>	10
INSTALLATION	11
MECHANICAL INSTALLATION	11
<i>Requirements for installation location</i>	11
<i>Wall mounting the Envy</i>	12
ELECTRICAL INSTALLATION.....	13
<i>PV Components and Connection</i>	13
<i>Rapid Shut Down (RSD)</i>	14
<i>Battery Connection</i>	16
<i>AC Connection</i>	18
<i>Generator Connection</i>	18
<i>AC Coupling Connection</i>	19
<i>Paralleling Multiple Inverters</i>	19
THIRD PARTY RS485 COMMUNICATION.....	20
COMMISSIONING AND POWERING DOWN SEQUENCE	20
START UP THE INVERTER	20
SHUT DOWN THE INVERTER.....	20



WIRING DIAGRAMS	21
<i>Whole Home AC Passthrough with Feeder Tap Connection (Split-Phase Service 120/240V)</i>	21
<i>Backup Applications with Backfeeder Connection (split-phase service 120/240V & 120/208V)</i>	22
<i>Combined or Individual AC Coupling/DC Coupling Applications with a Feeder tap Connection (split-phase service 120/240V)</i>	23
<i>Off Grid Applications Connection (split-phase service 120/240V)</i>	24
<i>Battery less Connection (split-phase service 120/240V, 120/208V)</i>	25
<i>Paralleled Systems Applications with a Feeder tap Connection (split-phase service 120/240V, 120/208V)</i>	26
<i>3 Paralleled Systems Applications with a Feeder tap Connection (3 Phase-phase service 120/208V)</i>	27
<i>2 Paralleled Systems Applications with a Feeder tap Connection (120/208V)</i>	28
ENVY LCD FIRMWARE UPDATE VIA USB	29
ENVY INVERTER FIRMWARE UPDATE	30
MONITOR SYSTEM SETUP	31
Wi-Fi Dongle Connection	31
<i>Envy Fortress Power Mobile APP Method</i>	31
<i>IP Address method (Alternative method)</i>	32
<i>Register Account</i>	33
ENVY PROGRAMMING THROUGH LCD INTERFACE	34
BASIC SECTION.....	35
CHARGE SECTION	35
<i>AC Charge</i>	35
<i>TOU (Time of Use)</i>	35
<i>Charge First (PV)</i>	35
<i>TOU (Time of Use)</i>	36
<i>Lead Acid/Open Loop Settings</i>	36
<i>AC Couple</i>	36
DISCHARGE SECTION.....	37
ADVANCED SECTION.....	37
<i>Offgrid Output</i>	38
<i>AC Couple</i>	38
<i>Charge Last</i>	38
<i>EPS Output Without Battery</i>	38
<i>Micro-Grid</i>	38
<i>Smart Load</i>	38
<i>Run Without Grid</i>	38
<i>Battery Type</i>	38
<i>Paralleling Setup (LCD Interface)</i>	39
TROUBLESHOOTING & MAINTENANCE	42
REGULAR MAINTENANCE	42
LED DISPLAYS	42
TROUBLESHOOTING BASED ON LCD DISPLAYS	42
DATA SHEET	46
CONTACT INFORMATION	48



Safety

Safety Instruction

General Safety Instructions

Safety regulations have been strictly observed in the design and testing of the inverter. Prior to any work, carefully read all safety instructions and always observe them when working on or with the inverter. The installation must adhere to all applicable national or international standards or regulations.

Incorrect operation or work may cause:

- injury or death to the operator or a third party
- damage to the inverter and other properties belonging to the operator or a third party.



Dangers of High Voltages and Large Current

- Beware of high PV voltage. Please turn off the DC switch of PV Panel output before and during the installation to avoid electric shock.
- Beware of high grid voltage. Please turn off the AC switch at the grid connection before and during the installation to avoid electric shock.
- Beware of large current of the battery output. Please turn off the battery module before and during the installation to avoid electric shock.
- Do not open the inverter when it's working to avoid electric shock and damage from live voltage and current from the system.
- Do not operate the inverter when it's working, only the LCD and buttons can be touched in limited cases by qualified personnel,
- Other parts of the inverter can be touched when the inverter is in a safe state (e.g., fully shutdown).
- Do not connect or disconnect any connections (PV, battery, grid, communication etc.) of the inverter when it's operating.
- Make sure the inverter is well grounded. An operator should make sure he is well protected by reasonable and professional insulation measurements (e.g., personal protective equipment (PPE)).
- Inspect relevant existing wiring on-site of the installation is in good condition before installation, operation, or maintenance.
- Inspect that connections are good between the inverter and PV, battery, and grid during installation to prevent damage or injuries caused by bad connections.



Important Safety Notifications

There are various safety issues that must be carefully conveyed prior to during and after the installation, as well as during future operation and maintenance. The following are important safety notifications for the operator, owner, and user of this product under normal conditions of use.



WARNING

Avoid Misoperation and Inappropriate Usage

- All the work of this product (system design, installation, operation, setting, configuration, and maintenance must be carried out by qualified personnel as required.
- All connections must be in accordance with local and national regulations and standards.
- The inverter and system can inter-connect with the utility grid only if the utility grid permits it.
- All the warning labels or nameplates on the inverter must be clearly visible and must not be removed, covered, or pasted.
- The installation should consider the safety of future users when choosing the right position and location as specified in this manual.
- Please keep the children away from touching or misusing the inverter and relevant systems.
- Beware of burning hurt, the inverter and some parts of the system could be hot when working, please do not touch the inverter surface or most of the parts when they are working. During inverter working states, only the LCD and buttons could be touched.

Notice

- Please carefully read this manual before any work is carried out on this inverter, the installation, please keep this manual carefully stored and easy to access at any time.
- The qualified personnel should have had training in the installation and commissioning of the electrical system as well as dealing with hazards, also they should have a knowledge of the manual and other related documents. As the installer or operator, they are required to be familiar with local regulations and directives.



Brief Introduction

System Solution

This product and its associated system are suitable for the following system applications (system diagram):

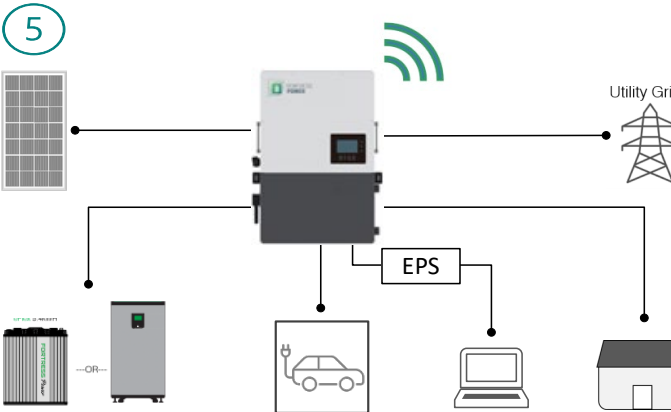
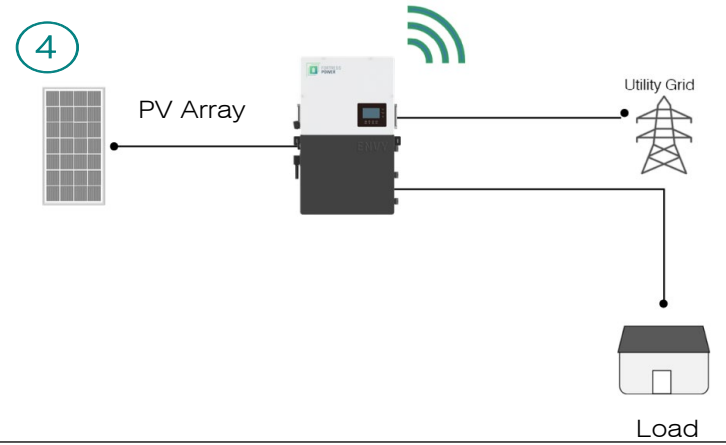
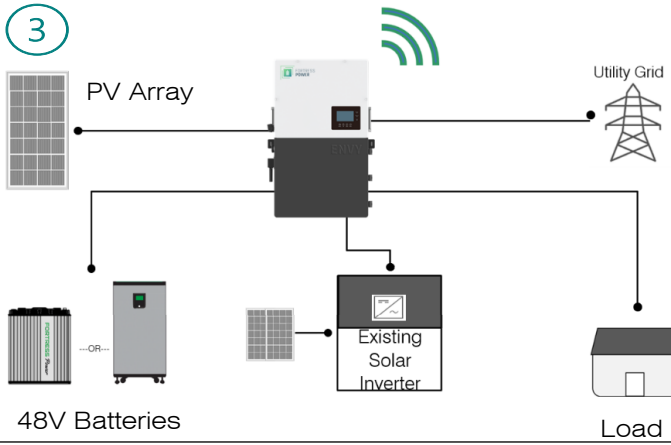
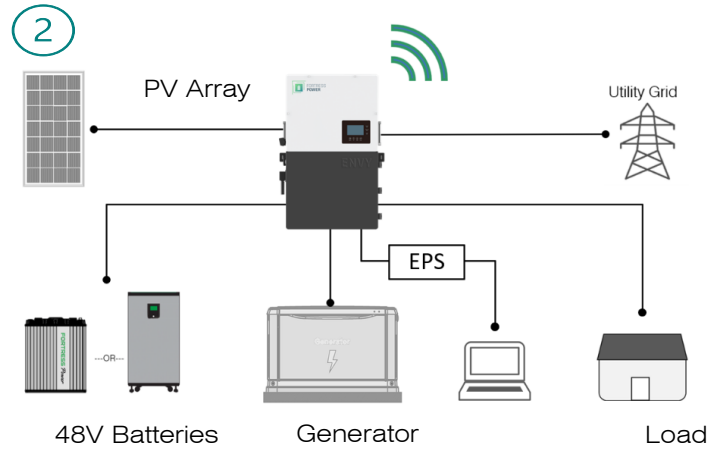
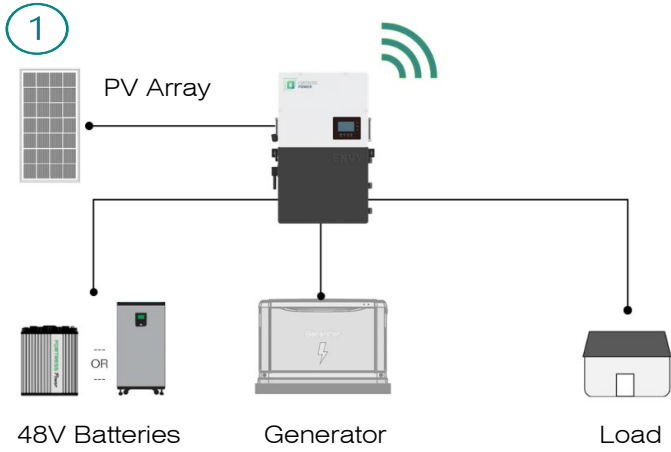


Diagram Number	Applications
1	Off-Grid
2	On-Grid, Backup, Net-Metering, Zero-Export
3	AC Coupling, AC /DC COUPLING
4	No Battery
5	Smart Load



Unboxing

When the packaging is unpacked, the inner components should match those listed in the list below. If any components are missing, please create a support ticket at www.fortrespower.com/support

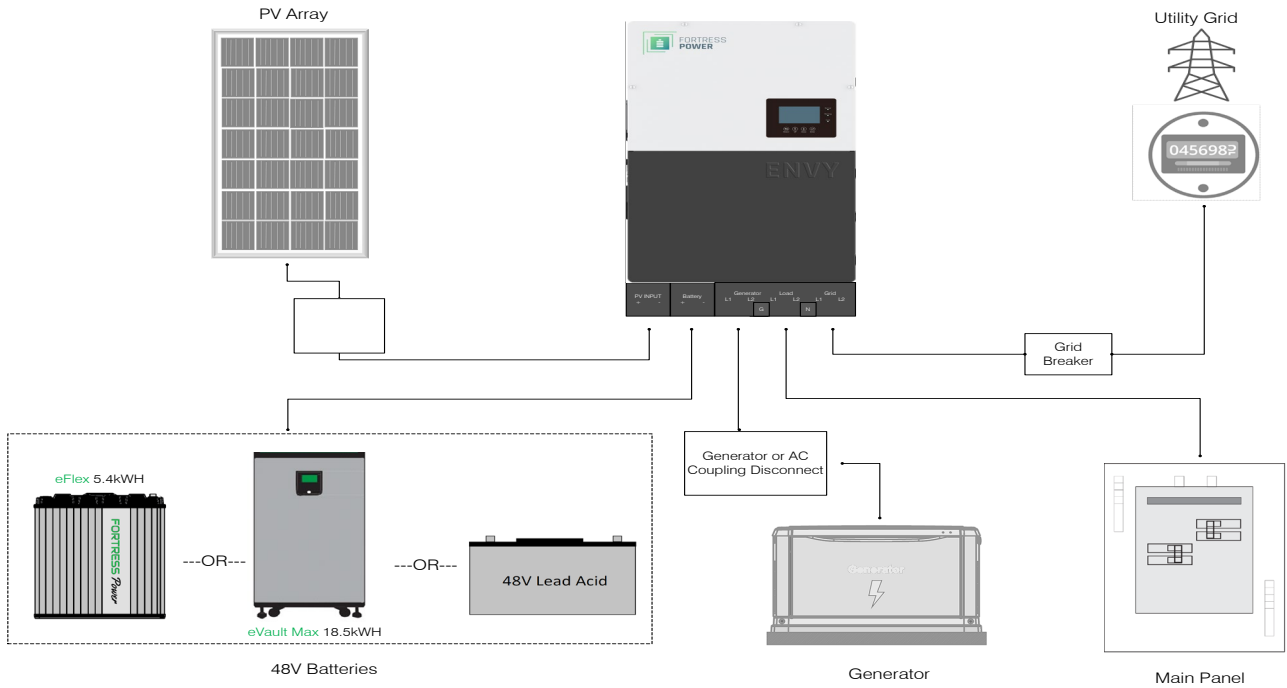


Part Number	Part Name	Quantity	Checked by User/Installer
1	Envy Inverter	1	<input checked="" type="checkbox"/>
2	Cabinet Keys	3	<input checked="" type="checkbox"/>
3	Battery To Inverter Communication Cable	1	<input checked="" type="checkbox"/>
4	Inverter To Inverter Communication Cable	1	<input checked="" type="checkbox"/>
5	Current Transformer (CT)	2 (connected by one cable)	<input checked="" type="checkbox"/>
6	Dongle	1	<input checked="" type="checkbox"/>
7	Dongle Screws	4	<input checked="" type="checkbox"/>
8	Mounting Screw for Wooden Platform & Expansion Screw	6 each	<input checked="" type="checkbox"/>
9	Wall Mount Bracket	1	<input checked="" type="checkbox"/>
10	RJ45 Terminals	4	<input checked="" type="checkbox"/>
11	L-shaped Brace	2	<input checked="" type="checkbox"/>
12	Nylon Lock Nuts	10	<input checked="" type="checkbox"/>
13	L-Shaped Brace Screw	6	<input checked="" type="checkbox"/>
14	Installation/ User Manual	1	<input checked="" type="checkbox"/>
15	Knockout Wiring Template	1	<input checked="" type="checkbox"/>
16	Inverter Wall Mount Layout Template	1	<input checked="" type="checkbox"/>



Overview and Requirements

Connection Overview



***Please include the following recommended breakers for each system connection in accordance with the local jurisdiction. Battery breaker and Load breaker are already integrated in the Envy inverter.**

Inverter model	12K
*PV Fuse Breakers (1 Pole) (Optional)	MPPT1 string 1: 600V/20Adc MPPT1 string 2: 600V/20Adc. MPPT2: 600V/20Adc MPPT3: 600V/20Adc
Grid Breaker (2 Pole)	200Aac when Whole Home AC Passthrough and or Whole Home Backup. 100Aac when Whole Home AC Passthrough and or Whole Home Backup 63Aac when EPS are used for Partial Backup.
Generator or AC Coupling (2 Pole)	Up to 90Aac
Integrated Load Breaker (2 Pole)	1 qty 200Aac
Integrated Battery Breaker	2 qty 200Adc

Cable Requirements

Suggested Wire Gauge

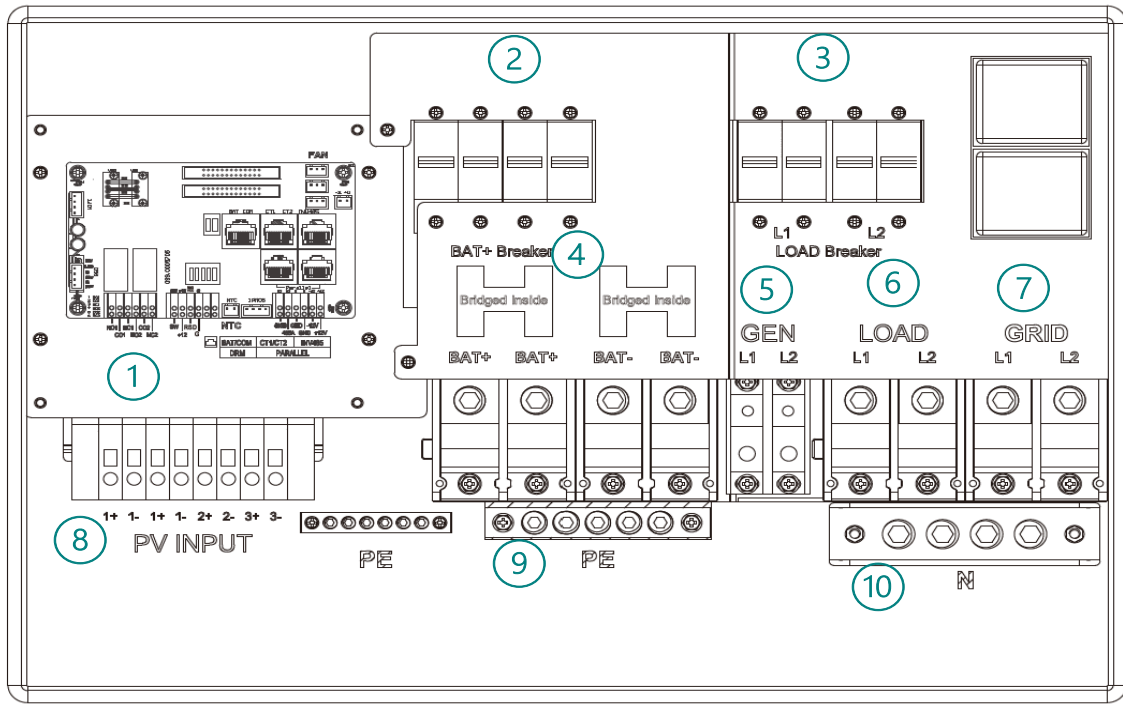
Section	Cable Gauge (AWG)	Minimum Voltage (V)	Torque (N.M)	Length of Cable Insulation Removal	Terminal Type
Grid Input					
Whole Home 100amp AC Passthrough	3-2	600	5	5/16-3/8 in (8-10mm)	Compression/Allen 5/16 SAE
Whole Home 200amp AC Passthrough	2/0-3/0	600	9-18	5/16-3/8 in (8-10mm)	Compression/Allen 5/16 SAE
Partial Backup	6-3/0	600	9-18	5/16-3/8 in (8-10mm)	Compression/Allen 5/16 SAE
Load Output					
Integrated Breaker 200Aac/240Vac	2/0-3/0	600	14	5/16-3/8 in (8-10mm)	Compression/Allen 5/16 SAE
Battery Cable					
Integrated Breaker 200Adc	1/0-3/0	600	9-18	1/4-5/16 in (6-8mm)	Compression/Allen 5/16 SAE
Generator Cable					
Up to 90A port	Up to 3	600	9	5/16-3/8inch(8-10mm)	Compression/Allen 3/16 SAE
PV Cable					
PV Input	10-6	600	N/A	1/4-5/16 in (6-8mm)	Spring Clamp

Note: Cable gauge also will depend on connection distance



Inside the Envy Cabinet

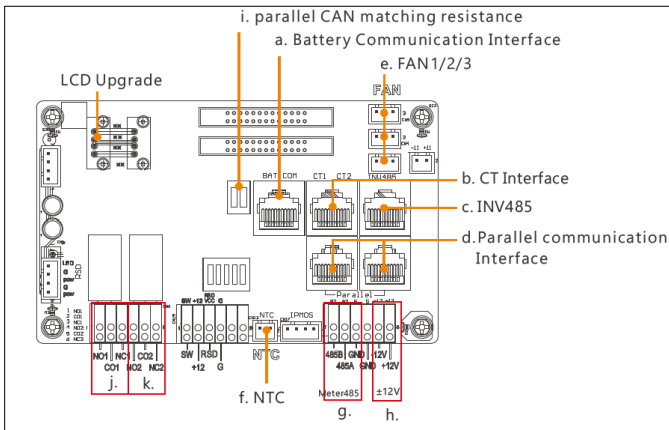
Connection Ports



⚠ Do not use an Impact driver to tighten or loosen fastener on any of the Envy port connections.

Area	Description
1	Communications Boards
2	2 200A Battery Breakers
3	200A Load Breaker
4	Battery Connection Ports (Bridged)
5	Generator Connection Port (up to 90A) (AC Coupling Up to 12kW)
6	Load Connection Port
7	Grid Connection Port (Up to 200A)
8	PV Input Connection
9	Protective Earth or Ground Connection Bars
10	Neutral Connection Bar

Communication Board Ports

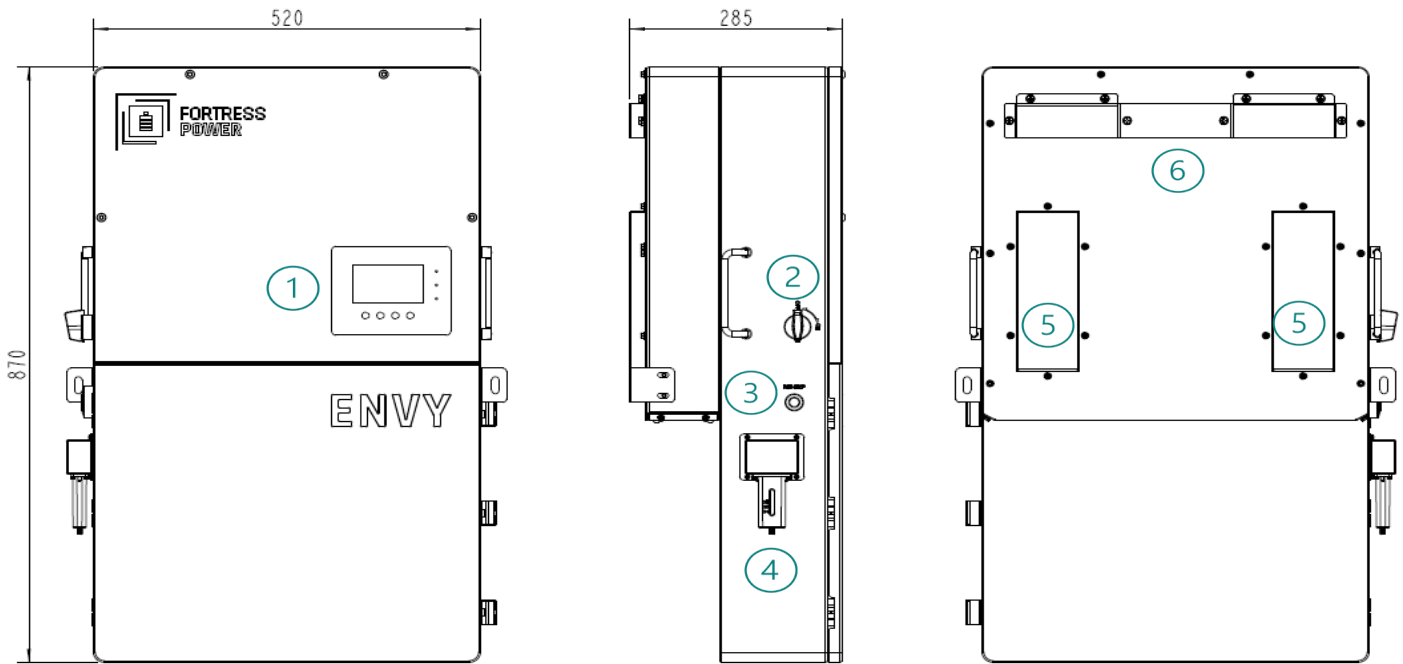


Port	Description
a.	Battery communication port (CAN&RS485)
b.	CT Interface Connection
c.	INV 485: Debugging port
d.	Parallel communication port
e.	FAN1/2/3 Connection port
f.	NTC: Connection for temperature sensor of lead-acid battery
g.	Meter 485B&485A: For Meter communication
h.	24Vdc or 12Vdc: Reserved for customer to use, Max 500mA
i.	CAN Matching resistance: Set DIP switch when use inverters in parallel
j.	GEN (NO, NC): Connection for generator auto-start function 250Vac/30Vdc/5A
k.	DRY (NO, NC): reserved



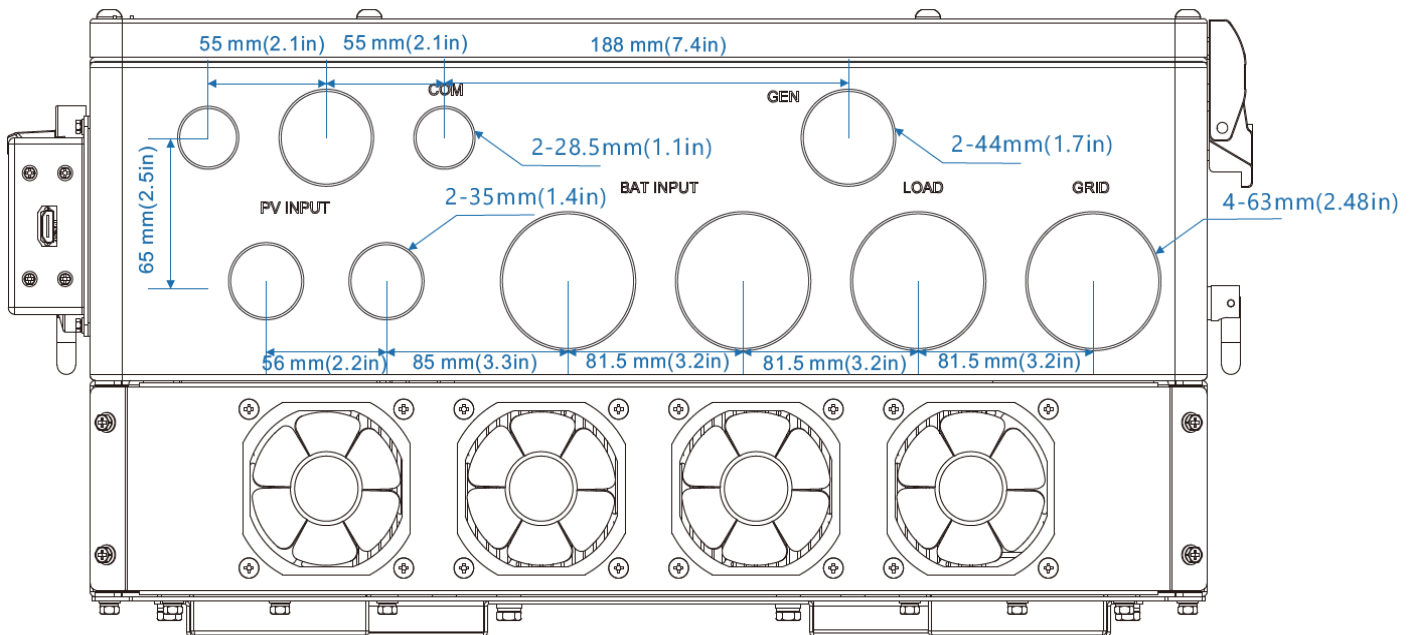
Envy Dimensions

Enclosure Specifications



Area	Description
1	Touch LCD
2	PV Switch
3	RSD STOP button
4	Dangle Connection Port and Dangle
5	Leveling Wall Support
6	Bracket Support

Knockout Port Dimensions





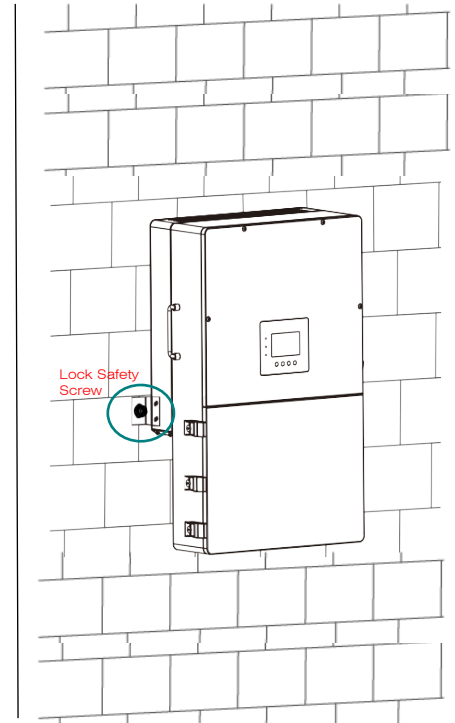
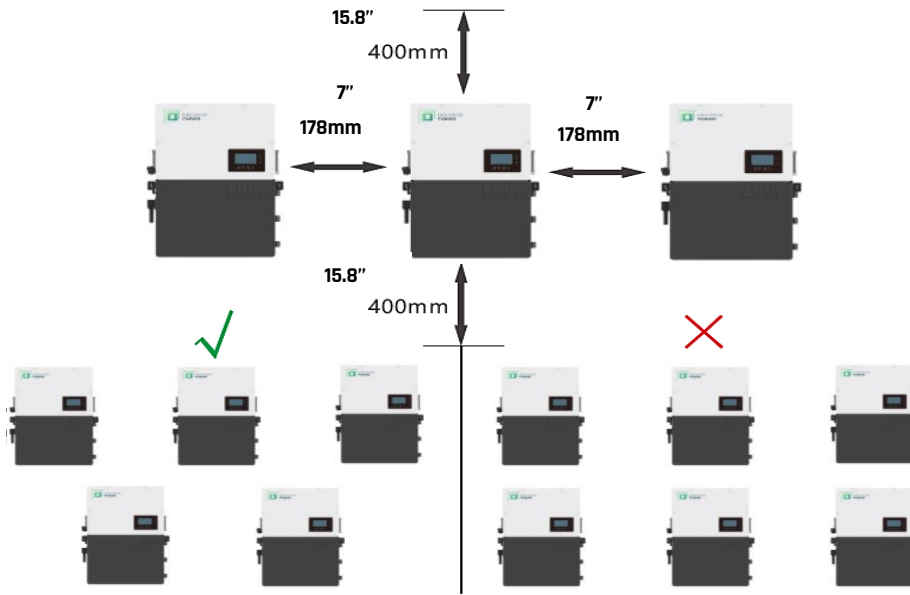
Installation

Mechanical Installation

Requirements for installation location

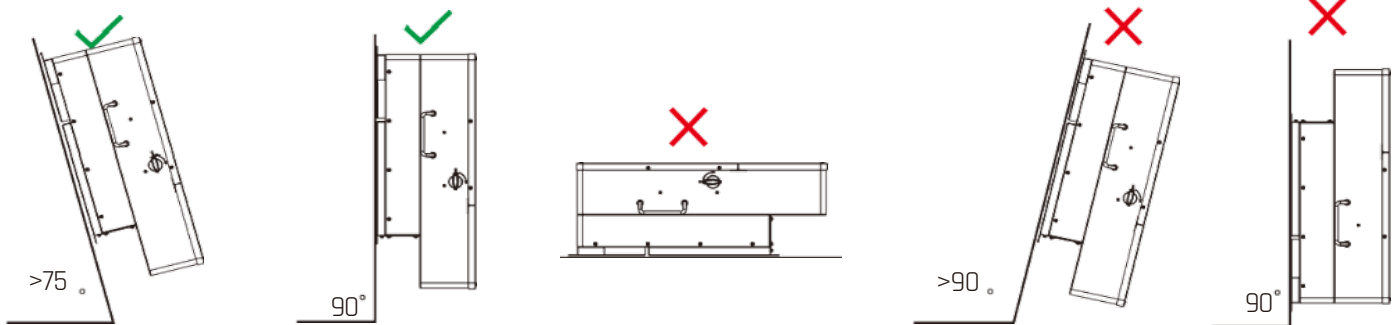
Location Selection and Installation

- a) The mounting wall should be strong enough to bear the weight of the inverter. Please maintain the minimum clearances when using multiple inverters in parallel as presented below for adequate heat dissipation. Other electrical accessories such as the ENVY distribution Panel (EDP) may be mounted with a minimum 2-inch clearance on either side of the inverter. A wireway, cabinet, EDP or any sort of equipment can be mounted below the inverter's cabinet knockout section but not behind it to avoid obstructing the airflow from inverter's fans.



- a) The inverter is allowed to be installed outdoors if it is within operating temperature range. Never position the inverter in continuous sunlight, rain, or snow. To avoid continuous sunlight exposure, the inverter is allowed to be installed in the north, east, west side orientation of the property (in reference to the sun) as this might damage the LCD screen due to excessive UV exposure. If installed in the south side orientation, choose a well shaded site or a shed to protect the inverter from direct sunlight, rain, and snow etc. Otherwise install in the correct property side orientation as described in the figure below.

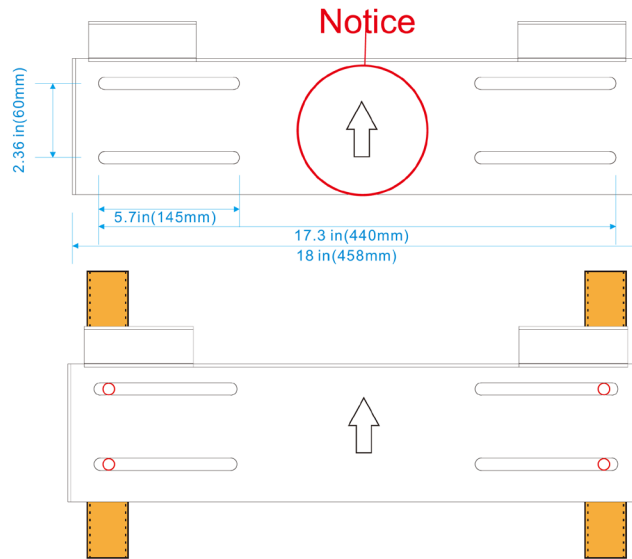
- b) The inverter should be installed upright on a vertical surface.



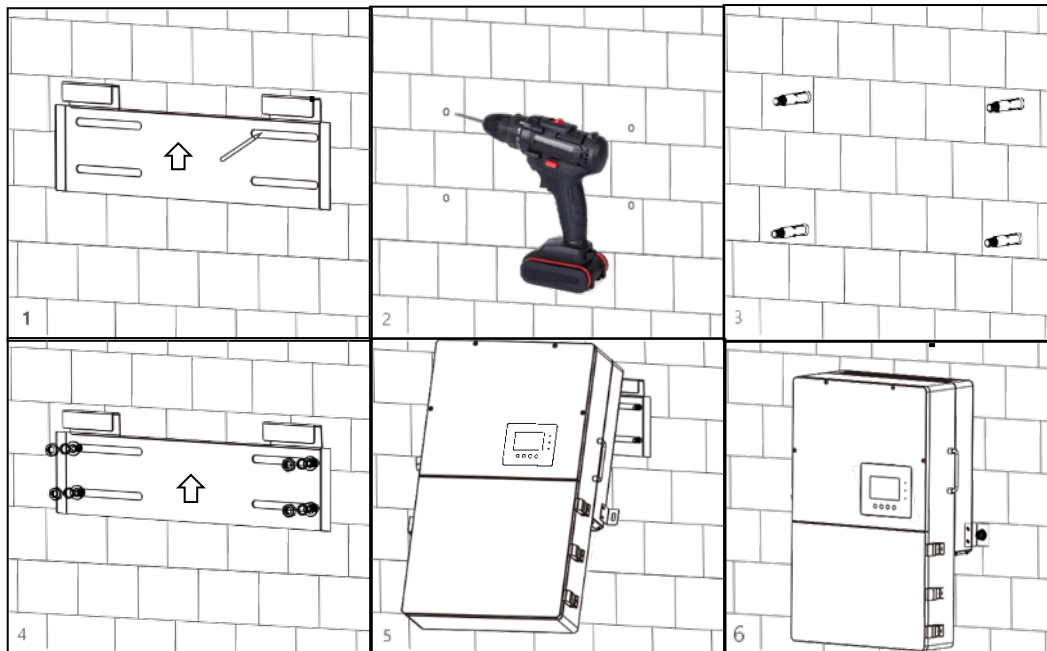


Wall mounting the Envy

The inverter is wall-mounted type and should be installed on a vertical, solid mounting surface, such as wood studs, brick, or concrete wall. Two or more people may be needed to install the inverter due to its weight. The slots on the mounting bracket can accommodate various stud spacings from 12inches(305mm) to 16inches(406mm).



The mounting steps are as below: (Use brick wall as example)



1. Mark the drill holes positions with the mounting bracket.
2. Drill four 48mm(5/16inch) diameter holes, making sure the depth of the holes is deeper than 50mm(2inches).
3. Install and tighten the expansion bolts into the holes.
4. Then use the corresponding nuts and washers (packaged together with the expansion bolts) to install and fix the wall-mounting bracket on the wall.
5. Hang the inverter onto the wall-mounting bracket.
6. Lock the inverter on the wall using 2 self-tapping screws on the top of the inverter.

For installation on wood studs

Fasten the mounting bracket on the studs with 4 wood screws, then hang the inverter onto the bracket and lock the inverter on the wall with 2 self-tapping screws.

Please note that the wood screws and self-tapping screws are not provided with the inverter. Installers need to prepare the screws before installation.



Electrical Installation

PV Components and Connection

The PV connection of this hybrid inverter is the same as that of a traditional on-grid solar inverter (string inverter).

WARNING

- Please double check the lowest ambient temperature of the installation location. The rated Voc on solar panel nameplate is obtained at 25°C. As the ambient temperature drops, the Solar panel Voc increases. Please ensure the Maximum solar string voltage corrected at the lowest temperature does not exceed the inverter's maximum recommended input voltage of 550V. Over voltage will damage the inverter.
- Do not use a PV combiner. Using a PV combiner may affect or cause permanent damage to the inverter.

NOTICE

1. The inverter has three MPPTs. For MPPT1, users can connect two strings. For MPPT2 and MPPT3, users can connect one string. All three MPPTs work independently. All of these strings are to be connected directly into the Inverter. **Do not use a PV combiner as this may cause damage to the inverter.**
2. When users connect 2 strings to MPPT1, make sure the two strings have the same quantity of solar panels. The inverter will limit the total MPPT1/MPPT2/MPPT3 input current to 25A/15A/15A automatically.
3. The inverter will limit the max solar input power to 18kW in total.
4. Protect the MPPT inputs by installing 20-amp fuse breakers

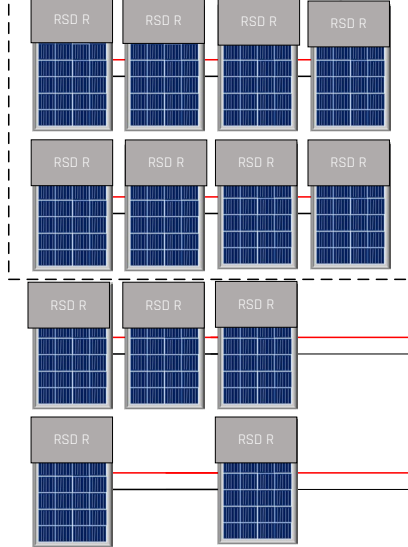
PV Cable Size

10-6AWG (dependent on PV Current)

Minimum Voltage Rating

600V

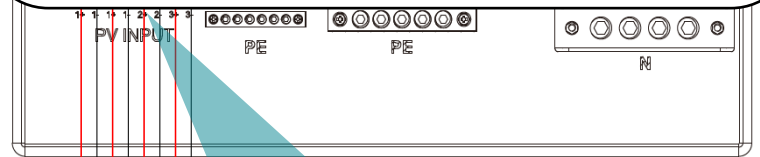
Facing the same direction with the same amount of modules per string



20A PV Fuse Breakers per String (Optional)

Steps for PV Connection

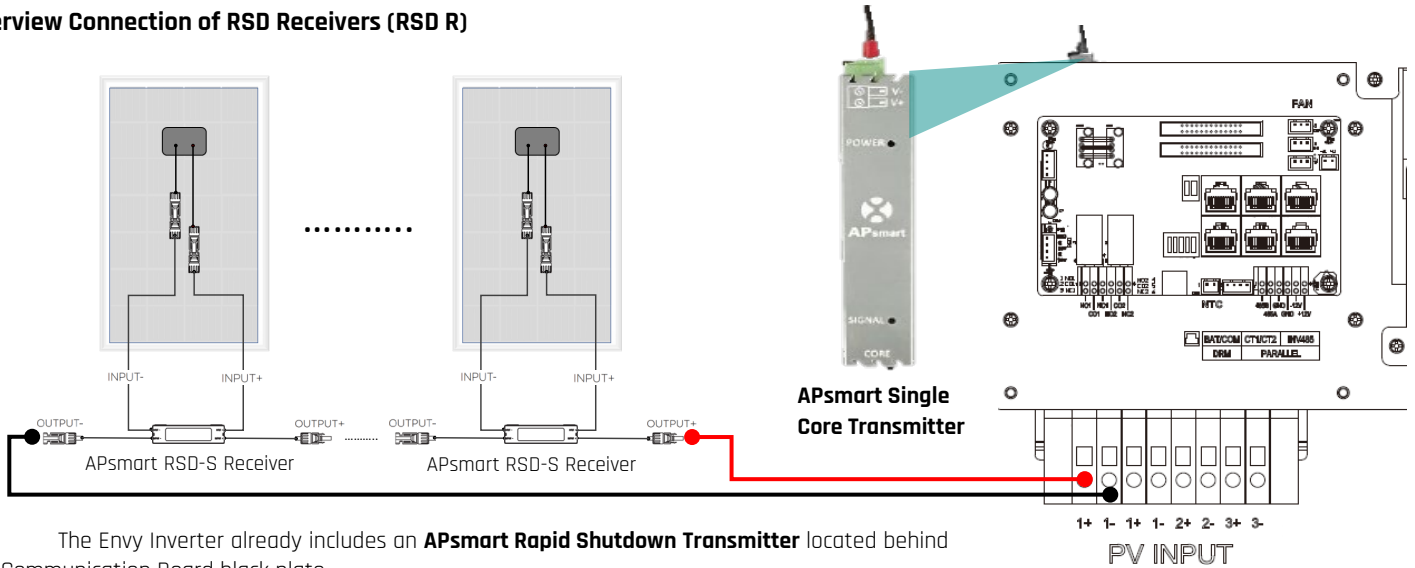
1. Strip off 1/4-5/16inch(6-8mm) insulation on the PV string's positive and negative conductors.
2. Use wire ferrules for PV string conductors if they are stranded wire type. Insert the conduit fitting into the opening for PV connection and tighten it from the inside using the counter nut.
3. Route the PV conductors through the conduit fitting and into the inverter.
4. Secure the cable gland in place.
5. Ensure that the cables are connected correctly and securely.
6. Then take appropriate measures to ensure that the conduit and conduit fittings are fastened reliably and seal the cable entry holes.





Rapid Shut Down (RSD)

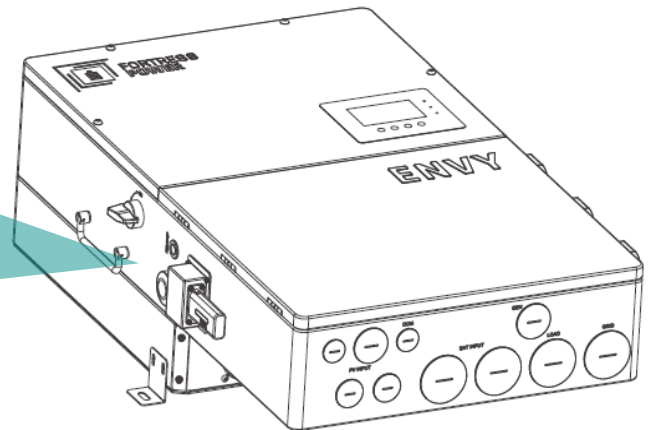
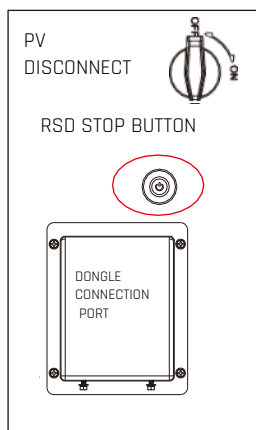
Overview Connection of RSD Receivers (RSD R)



- The Envy Inverter already includes an **APsmart Rapid Shutdown Transmitter** located behind the Communication Board black plate.
- The APsmart Rapid Shutdown System Transmitter and APsmart RSD-S/RSD-D receivers (not included) work together as a rapid shutdown solution for PV modules.
- For more information on how to connect the APsmart receiver please refer to the [RSD-S](#) and [RSD-D](#) Installation Quick guide.
- The Transmitter sends a signal to the RSD-D units, enabling the PV modules to remain connected and continue supplying energy while the Transmitter is powered on.
- When the Transmitter is switched off by the Emergency RSD button, the RSD-D units automatically enter rapid shutdown mode, halting energy production.
- This solution is compliant with the **2017** and **2020** specifications of the **NEC 690.12** and supports **SunSpec** signaling for rapid shutdown.

If an emergency occurs, simply activate the **"RSD STOP"** button. This will immediately cease the RSD power supply, causing the inverter to shut down the AC output, and reducing the voltage of the PV conductor to below **30V** within a timeframe of **30 seconds**.

****Rapid Shut Down will be mandated depending on your local jurisdiction.**



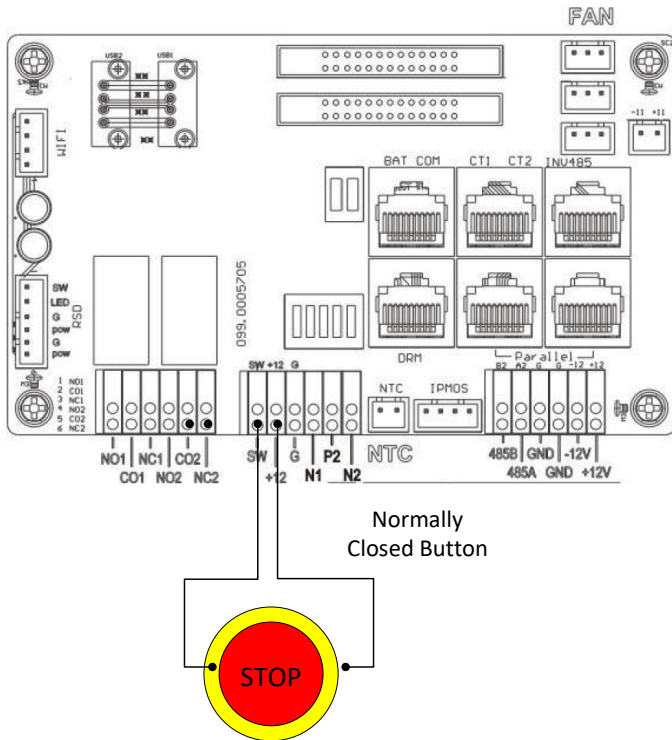
The APsmart Transmitter is connected to the inverters internal 12V power supply. The output current limit is 1A (12W). **Do not exceed this limit as this may cause damage to the inverter.**

Device	Voltage Rating (V)	Current (A)
APsmart Single Core Transmitter	12	0.5
Tigo RSS Transmitter	12	1

External RSD emergency Switch

The following images will describe the connection location of an added **normally closed** emergency switch for both standalone and paralleled inverters for external purposes. This device should be installed in an area that is accessible to first responders.

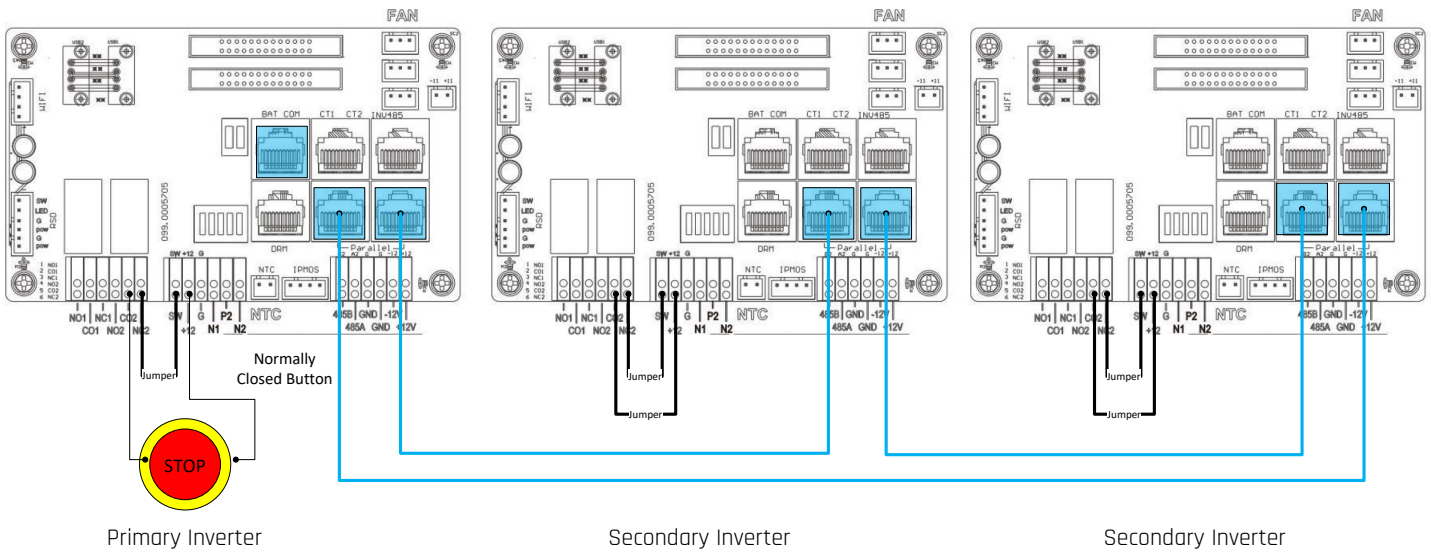
Standalone external RSD Button wiring instructions.



Paralleled external RSD Button wiring Instructions.

Recommended jumper cable size

22-14 AWG





Battery Connection

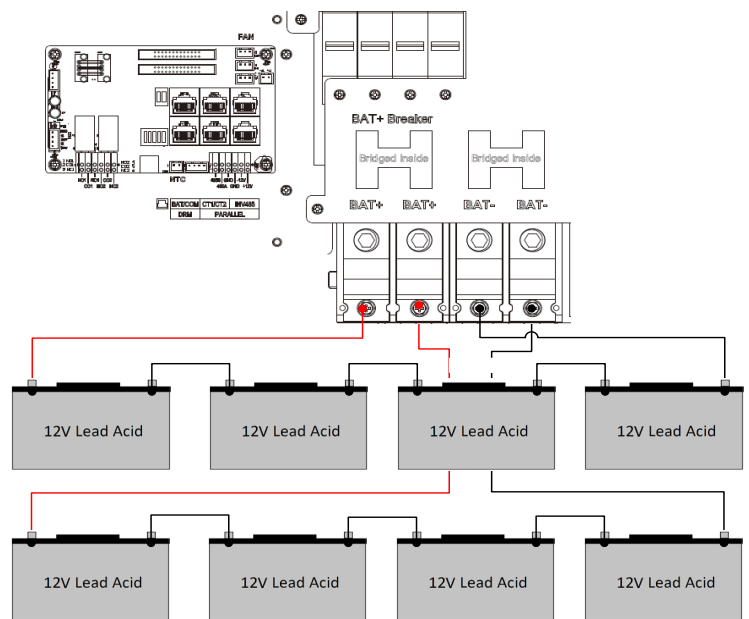
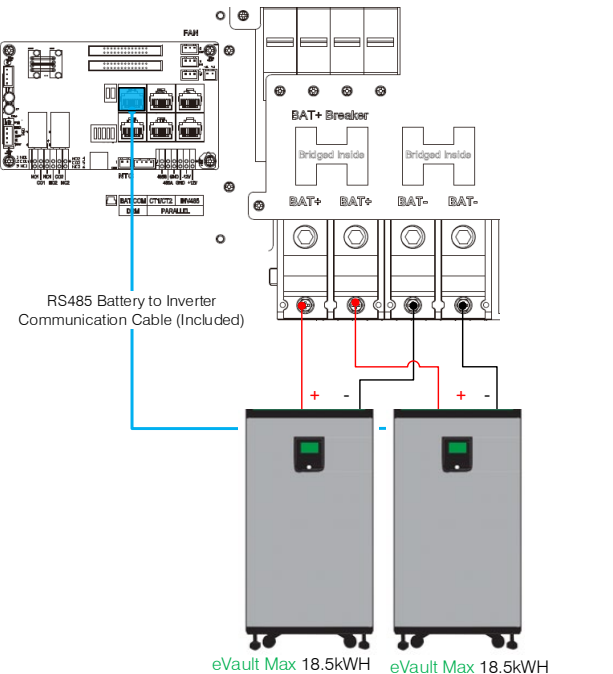
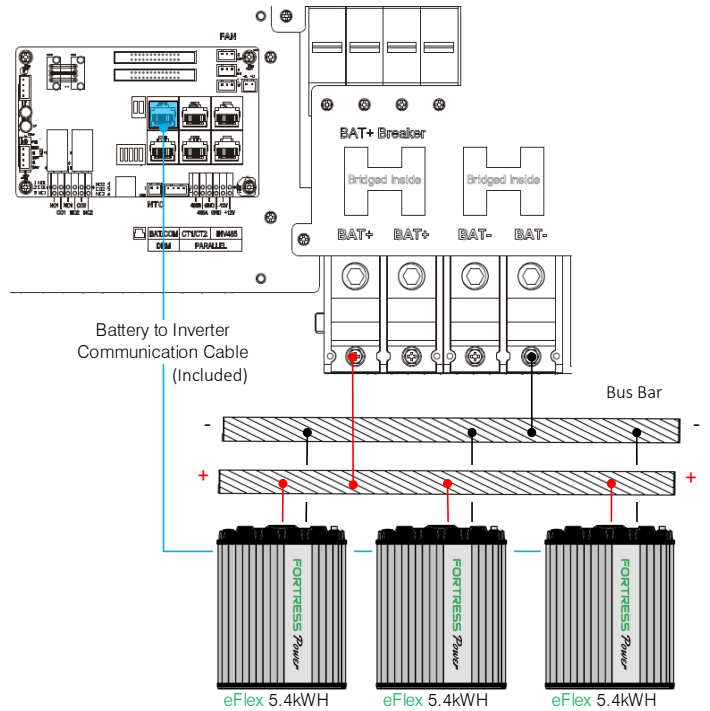
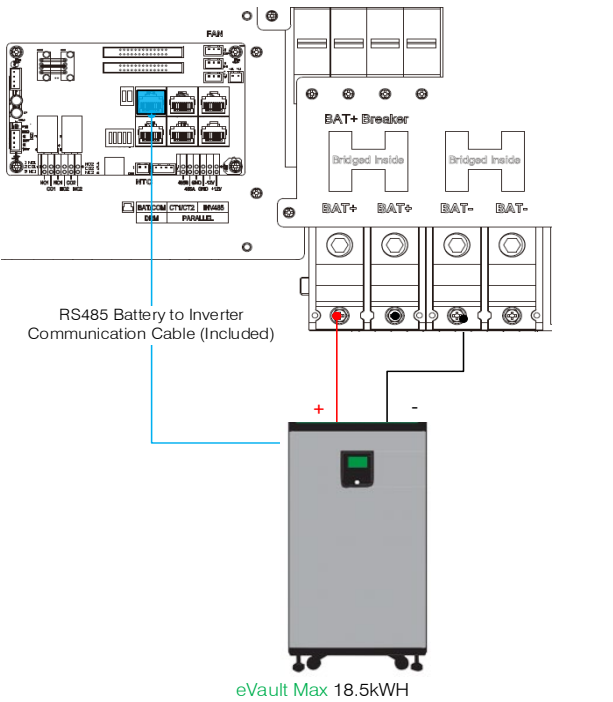
Battery power cable connection

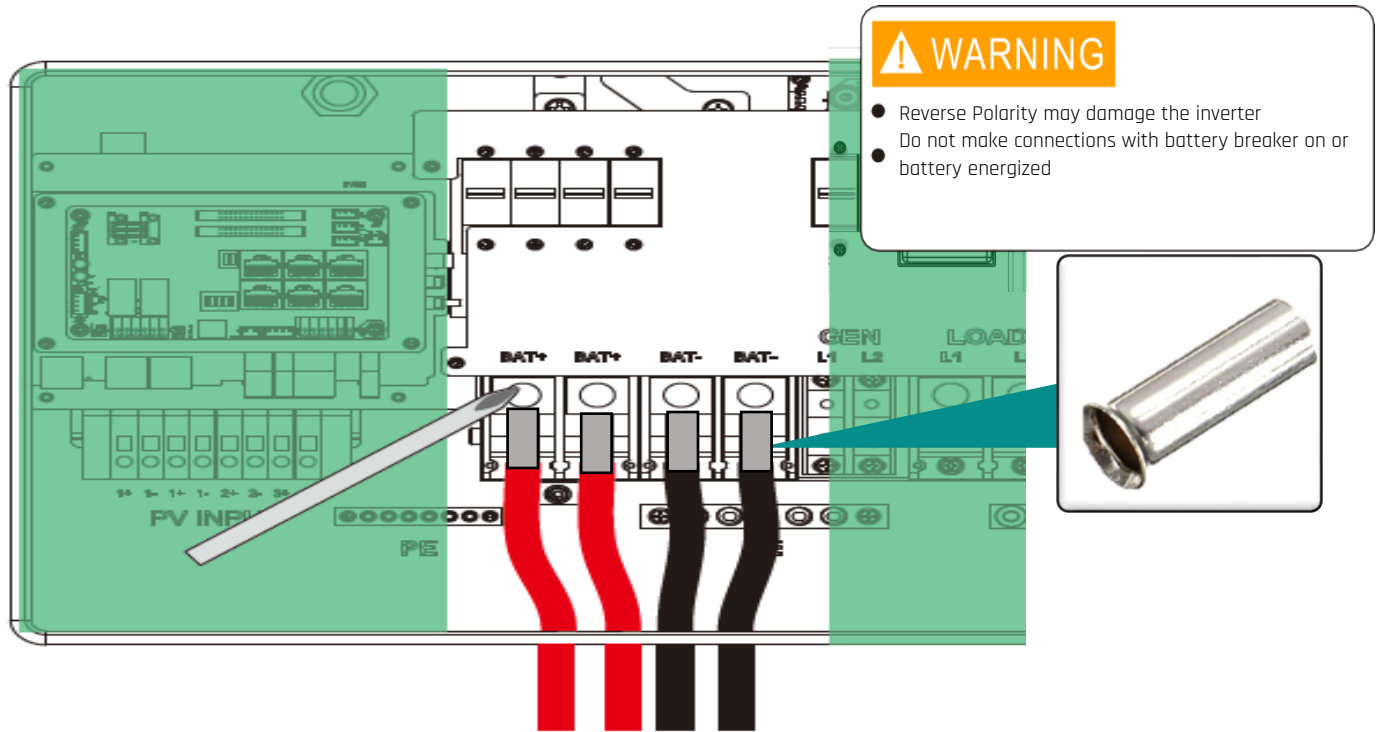
All batteries must be installed as a single battery bank when paralleling multiple inverters.

Cable Requirement:

1. Strip 1/4-5/16inch(6-8mm) insulation from the cable end and crimp a ferrule to the cable ends.
2. Route the battery power cable, connect positive to BAT+, negative to BAT-.
3. Secure the conduit fitting to the enclosure using the lock nut.
4. Fasten the battery positive and negative crimped cables into the battery bus according to the markings.
5. Fix the cable gland in place.

For best practice, install a Copper Busbar when paralleling more than two lithium batteries. The internal Envys internal Battery Busbar is bridged to provide the full 250A charge and discharge capability of the Envy 12k in any of the two ports.

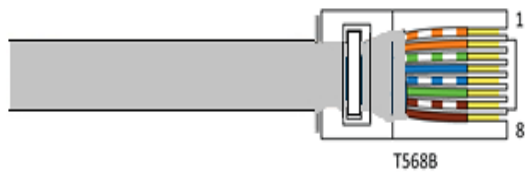




Envy Battery communication port Pinout

The battery communication port on inverter is an RJ45 socket, Pin for the RJ45 plug of the communication cable is as below. Make the communication cable according to the below inverter Pin and the correct pinout of communication port on battery. The inverter supports both CAN and RS485 communication. Use the communication cable included in the Envy Inverter packaging when using **eFlex 5.4kWh** batteries. Use the communication cable included in the **eVault Max 18.5kWh** packaging to establish battery to inverter communication.

Pins	BAT COM Input Description
1	NC
2	GND
3	NC
4	BAT CAN H
5	BAT CAN L
6	NC
7	BAT RS485 A
8	BAT RS485 B

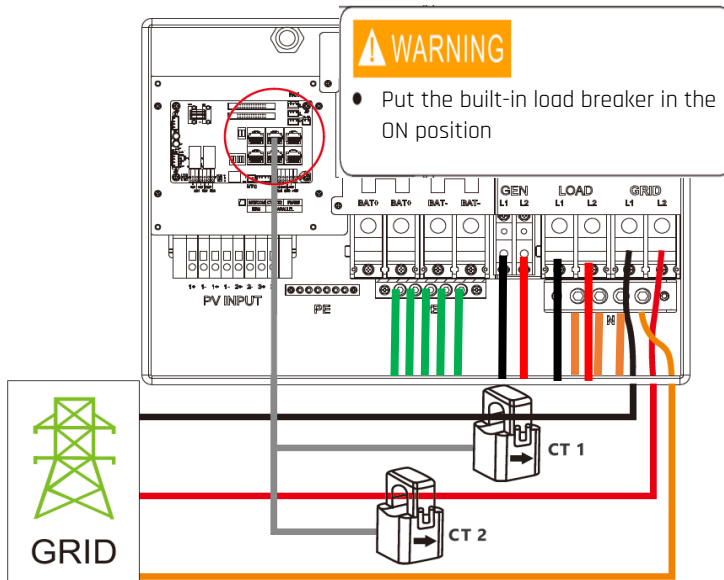


Please Refer to our minimum Battery Sizing Standard when sizing with the ENVY Inverter. Please Refer to the eFlex and eVault Max Installation Manual for more details.



AC Connection

Grid connection



- Strip off 5/16-3/8inch(8-10mm) insulation sleeve on the cables.
- Use wire ferrules if the cables are made of fine stranded wires.
- Secure the conduit fitting to the enclosure using the counter nut of the fitting.
- Fasten the grid and EPS load cables to the terminal block in accordance with the markings.
- Secure conduit to the conduit fitting.
- Check that the cables are connected correctly and securely, then take appropriate measures to ensure that the conduit and conduit fitting are secured reliably and seal the cable entry holes.

Ground Neutral Bond

Make a bond connection between the Neutral and Ground at the Main Breaker Panel or you may also only make the bond once at the Utility Meters with breaker attached if applicable.

CT connection

To measure the power imported from and exported to the grid, a pair of CTs or one three phase meter must be installed at the

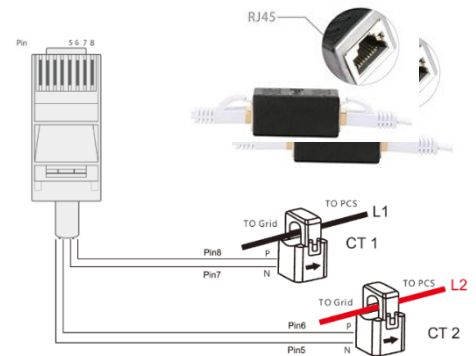
service entry point in or near the main service panel. We standardly supply 2 CT for one inverter. The CT interface for 2 CTs connection is an RJ45 port. We have made an RJ45 plug on those 2 CTs in advance, so you can connect it to the port directly. **Never put the CTs on the Load side, nor the generator side or inverter will not function properly. For Off Grid application, disregard the CTs.**

CT Clamp Ratio

The inverter supports 3 ratios of CT clamp- 1000:1, 2000:1 and 3000:1. The CT ratio of the CTs in the accessory bag is 3000:1. If you are using a 3rd party CT, please ensure the CT ratio is one of them, and select the correct CT ratio setting in the inverter monitor page or on the inverter LCD.

CT Clamp Cable Extender (Not Included)

The CT wires can be extended with a common ethernet cable if the length is not enough. An RJ45 adapter is needed for the extension. The CT wires can be extended up to 300ft(around 100m).



Please refer to the connection diagram for the correct positions of CTs and clamp the 2 CTs on the L1 and L2 wires at the service entry point in the main service panel. CT1(label L1) should go to L1 and CT2(label L2) should go to L2. The arrow on the CT is pointing to the inverter. **(** Incorrect install of the CT will cause The Display to show incorrect information's and features of the inverter will not function correctly)** If the CT are in a wrong direction, there is an option you can change the direction of the CT on your inverter call: **CT Direction Reversed** (Only for Direction not CT1 or CT2 Placement) in Advanced Tab of the LCD. You would not need to go change it physically.

CT Port Pin Definition

Pin	Description
1-4	Reserved
5	CT2N
6	CT2P
7	CT1N
8	CT1P

Optional Meter Connection

If you need to use a meter for import/export detection instead of CTs, you need to connect it to the Meter 485A and 485B terminals on the inverter (around 100m)

Generator Connection

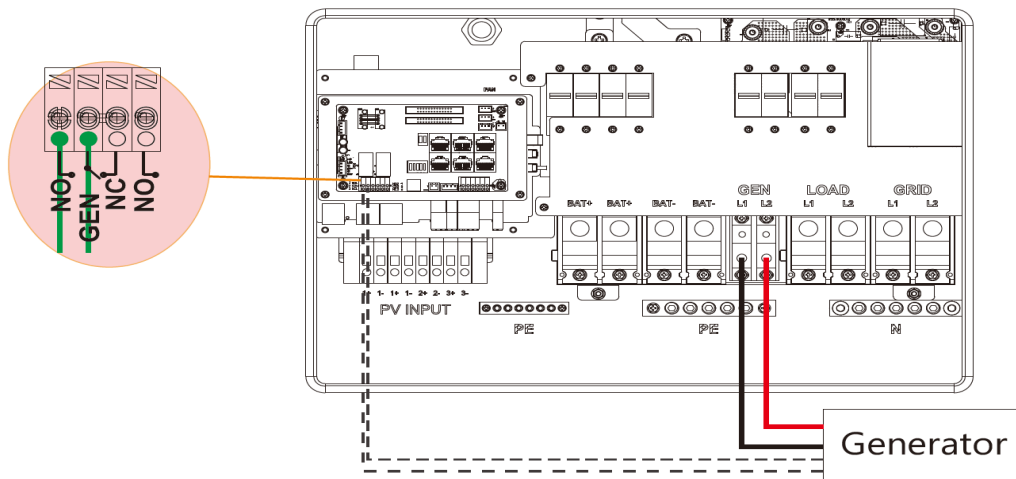
When Using the Generator Connection, do not connect an AC Coupled system. Inverter and Generator Damage will occur.

This hybrid inverter can work with a generator. There are Gen ports on the inverter for generator connection. Generator requirements: the generator should be neutral bonded type, with **240V/120V, 120/208V or 120/208V 3 phase** output.

When the generator is started, all the loads connected to EPS Load will be supplied by the generator. Meanwhile the battery will be charged.



The pass-through relay on the generator port is 90A. When the generator is on, please ensure the total load and charge current will not exceed 90A. The generator start signal shall be connected to the COM board GEN Nominal Open (NO1 and CO1), or Nominal Close (NC1 and NO1) port if users want to start generator remotely.



Dry Contact Conductivity Ratings	Port	Max Voltage	Max Current
	Generator Dry Contacts NO1-Com-NC1/ NO2-Com-NC2	250V/AC/30VDC	5A

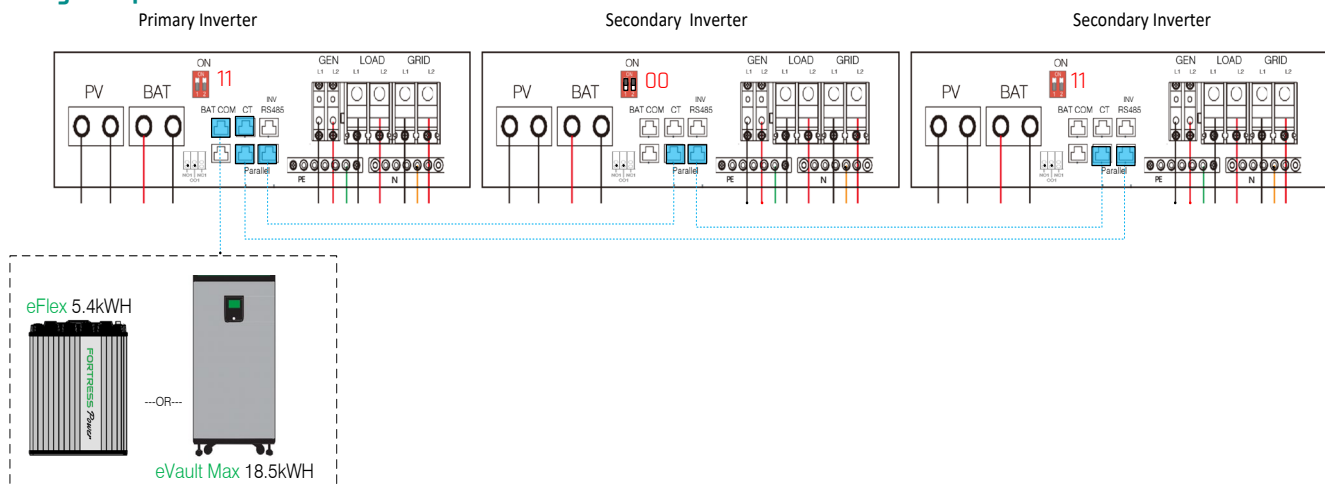
AC Coupling Connection

The inverter supports AC coupling connection with the existing grid-interactive solar system. The existing solar system is connected to the inverter's GEN port. **Make sure to add a fused disconnect switch between the Envy Gen Port and the Ac Coupled system. It is forbidden to connect the Generator in Gen Port when AC Coupled. Damage to the Generator or Inverter will occur.** To ensure optimal performance and energy distribution, it is imperative that the solar installation connected to each inverter does not exceed 8 kW (Envy 8kW) and 10kW (Envy 10kW). This precautionary measure is to facilitate the efficient allocation of surplus solar energy production to the battery storage systems when frequency shifting during instances of grid power interruptions. It is essential to adhere to this specification to maintain system integrity and to promote effective energy management.

What is frequency shifting power reduction?

All UL1741SA compliant grid-interactive inverters have the Frequency-Watt feature, which requires the grid-interactive inverter to reduce power with the increasing of grid frequency. The power will drop to zero before the over frequency trip threshold is reached. When the Fortress Power hybrid inverter requires the grid interactive inverter to reduce power, it simply shifts the output frequency up a bit, the grid-interactive inverter will limit its output power accordingly after sensing this frequency shift.

Paralleling Multiple Inverters



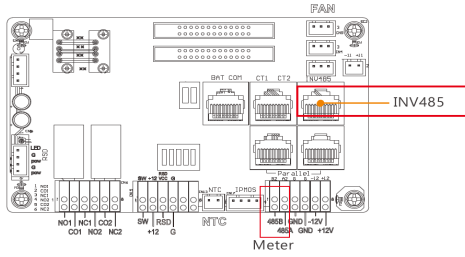
Use the Communication Cables included in the in the Envy Inverter along with those of the eFlex5.4kWh and eVault Max 18.5kWh. The Envy paralleling communication cables measures 6.5ft. Therefore, installers might need to provide an extra longer communication cable to be able to make parallel connections if installed further apart. The battery communicates only with the Master Inverter through Modbus RS485. **Connect the communication cable to the BAT COM port. Proceed to the Advanced Section under the LCD programming segment to finish paralleling process.**



Third party RS485 communication

Meter 485B&485A: are used when the Meter is not connected. These two pins can be used to communicate with the inverter using our Rs485 Modbus protocol.

INV485: This interface is shared with the WIFI module. If the WIFI module is not in use, users can use this interface to communicate with the inverter.



Pin	Description
1	485B
2	485A
3-8	/

Commissioning and Powering Down Sequence

THERE ARE MULTIPLE LOCATIONS for these Breakers / Switches

- **Battery and Load breakers are inside the Envy Wire Bay.**
- **PV disconnect switch is on the side of the Envy.**
- **Grid and Generator/AC coupled PV are external breakers.**

Start up the Inverter

Before proceeding, place all AC and DC breakers off

1. Switch ON the Battery Breaker inside the inverter.
 - a. Turn on the battery system.
 - b. Inverter will power up.
 - i.If the Inverter does not power up, Stop and correct the issue until it powers up
2. Perform Firmware Inverter Update using the Envy Fortress Power APP.
3. Place the Inverter in Standby mode.
 - a. LCD screen - Basic section
4. Confirm the Inverter is setup and running.
 - a. Inverter Programming
 - i.The last settings are stored therefore reprogramming may not be necessary.
 - ii.LCD programming is detailed in the user manual.
 - b. Battery communication
 - i.Confirm battery voltage, SOC.
 - c. PV connection
 - i.Prior to turning on, Make sure there is no reverse polarity. Confirm PV voltage per MPPT.
5. Switch ON Load Breaker inside the inverter
6. Exit Inverter standby mode.
 - a. LCD screen - Basic section
 - b. Confirm Loads are being powered.
8. Turn on the Grid Breaker
9. If AC Coupling or Generator is integrated, Turn on the breaker. Ac Coupling will connect after 5 minutes.

Shut down the Inverter.

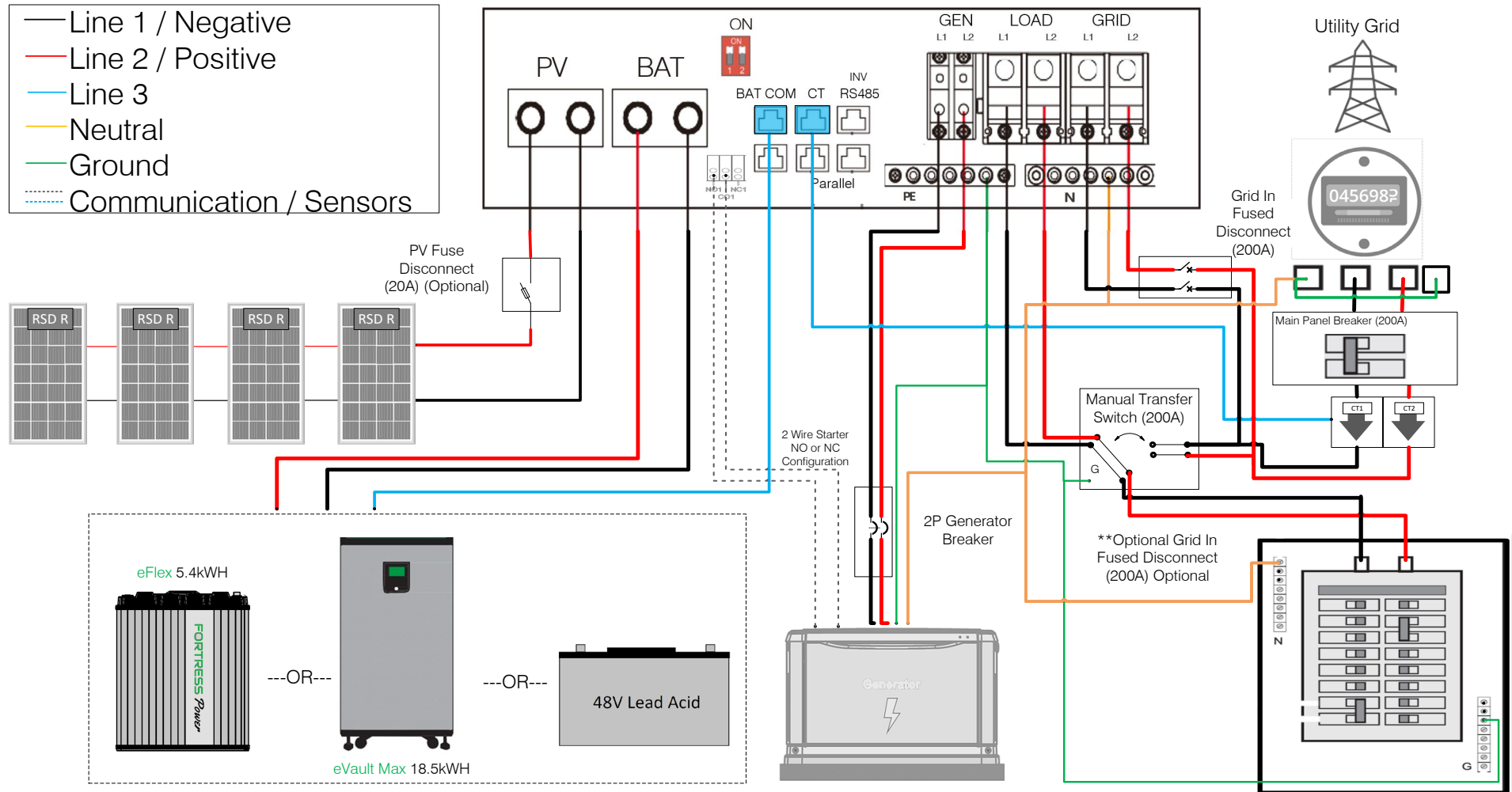
Danger: Do not disconnect the battery, PV, and AC input power under load. If there is an emergency issue, and you must shut down the inverter, please follow the steps below.

1. Set the System in Standby;
 - a. LCD screen - Basic section
2. Turn Off Generator/Ac Coupled PV external breaker.
2. Turn OFF the Grid breaker that feeds inverter.
3. Switch OFF the Load breaker inside the inverter.
4. Turn OFF PV Switch on the side of the inverter.
5. Switch OFF the Battery breaker inside the inverter.
 - a. wait for the LCD to turn off.



Wiring Diagrams

Whole Home AC Passthrough with Feeder Tap Connection (Split-Phase Service 120/240V)



There should be only one Neutral to Ground Bond established on the supply side of the electrical system.

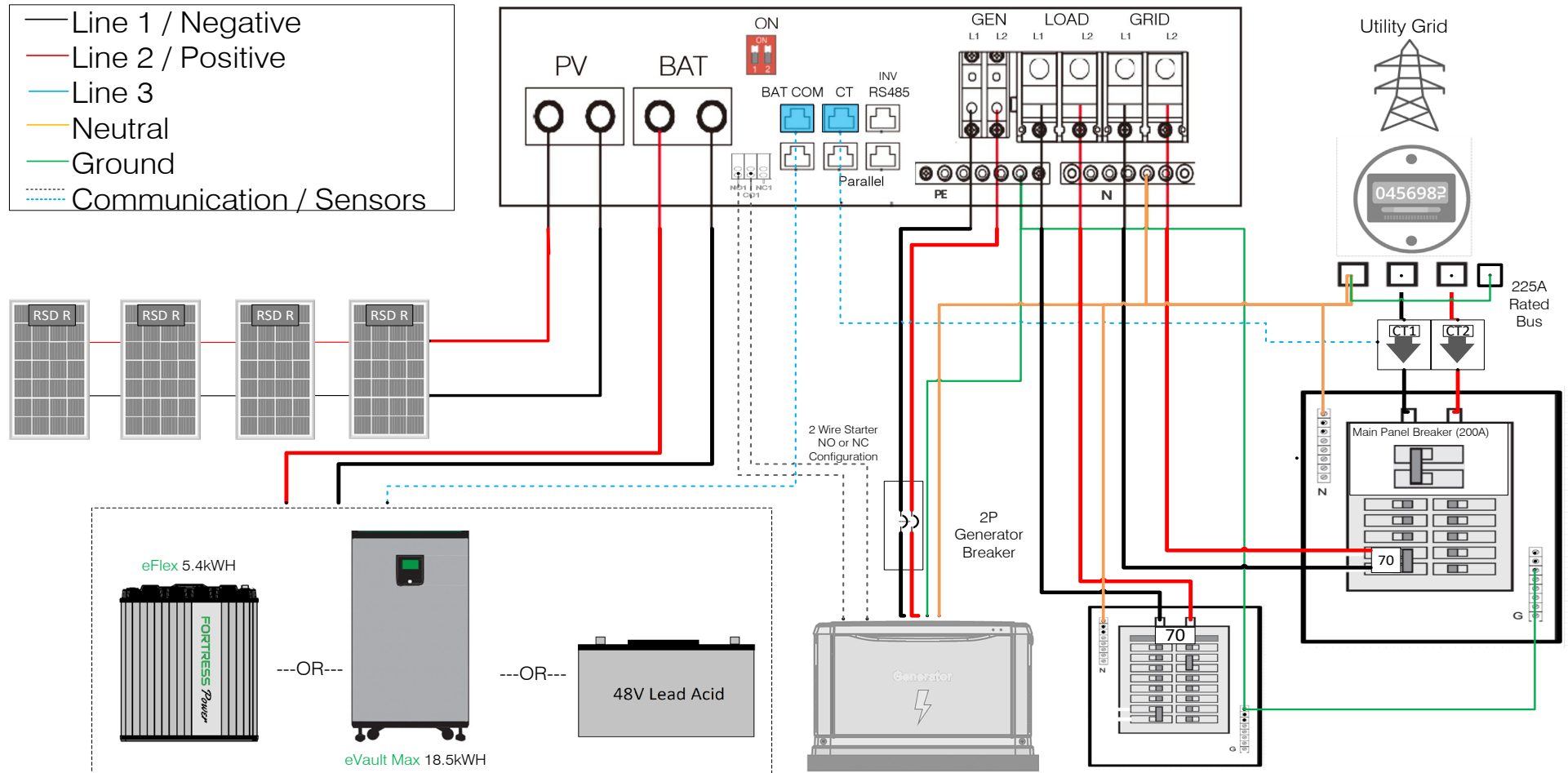
For requirements of connection safety, please refer 2020/2023 NEC 705.11 or 2017 NEC 705.12A

Always adhere to your local jurisdiction guidelines and make sure that an Electrician makes all electrical connections.



Backup Applications with Backfeeder Connection (split-phase service 120/240V & 120/208V)

Connection diagram for 120/240V is as below. The connection diagram for 120/208V split phase service is roughly the same except that generator is not supported.



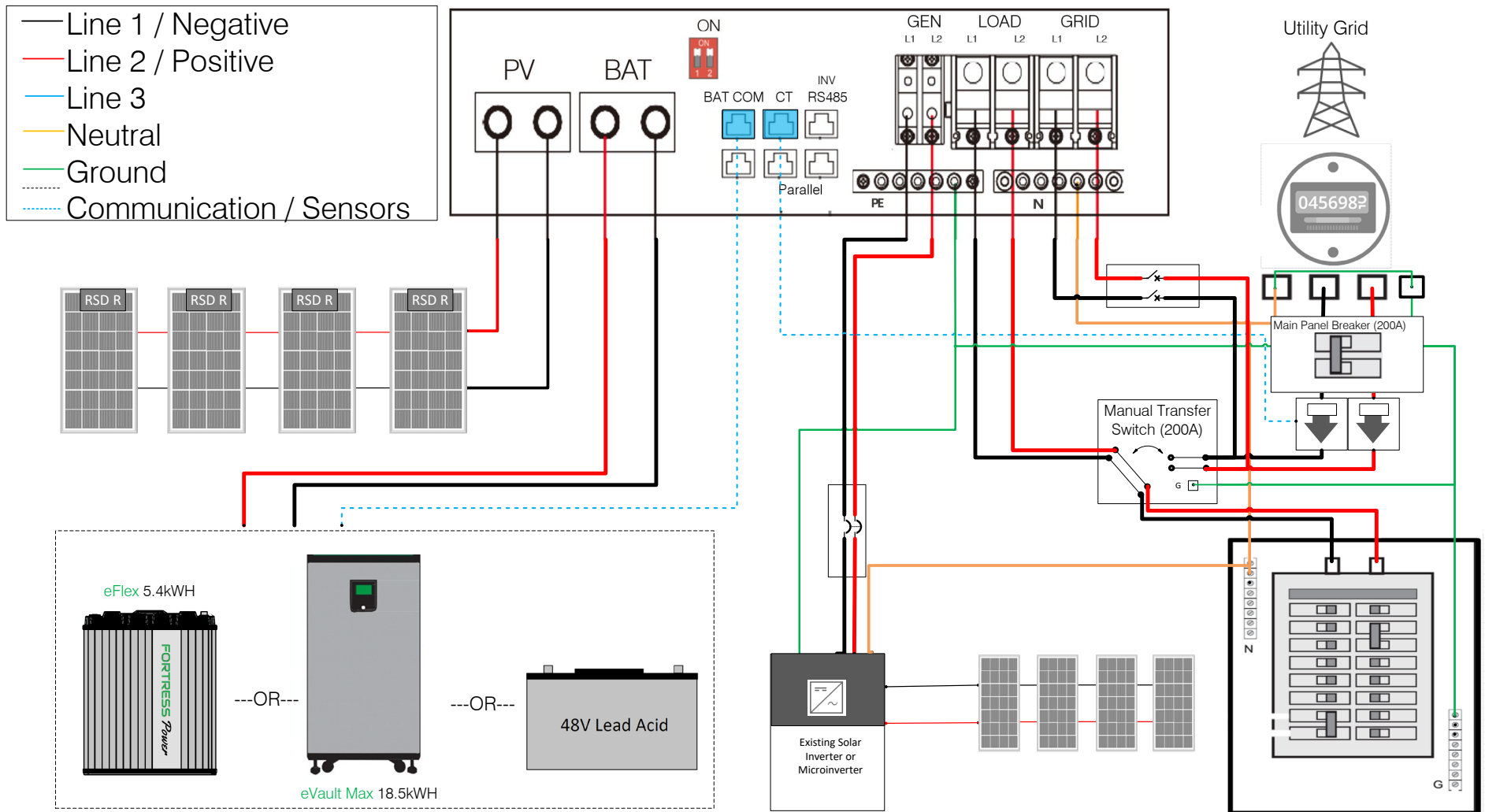
There should be only one Neutral to Ground Bond established on the supply side of the electrical system.

For requirements of connection safety, please refer 2020/2023 NEC 705.11 or 2017 NEC 705.12A

Always adhere to your local jurisdiction guidelines and make sure that an Electrician makes all electrical connections.



Combined or Individual AC Coupling/DC Coupling Applications with a Feeder tap Connection (split-phase service 120/240V)



There should be only one Neutral to Ground Bond established on the supply side of the electrical system.

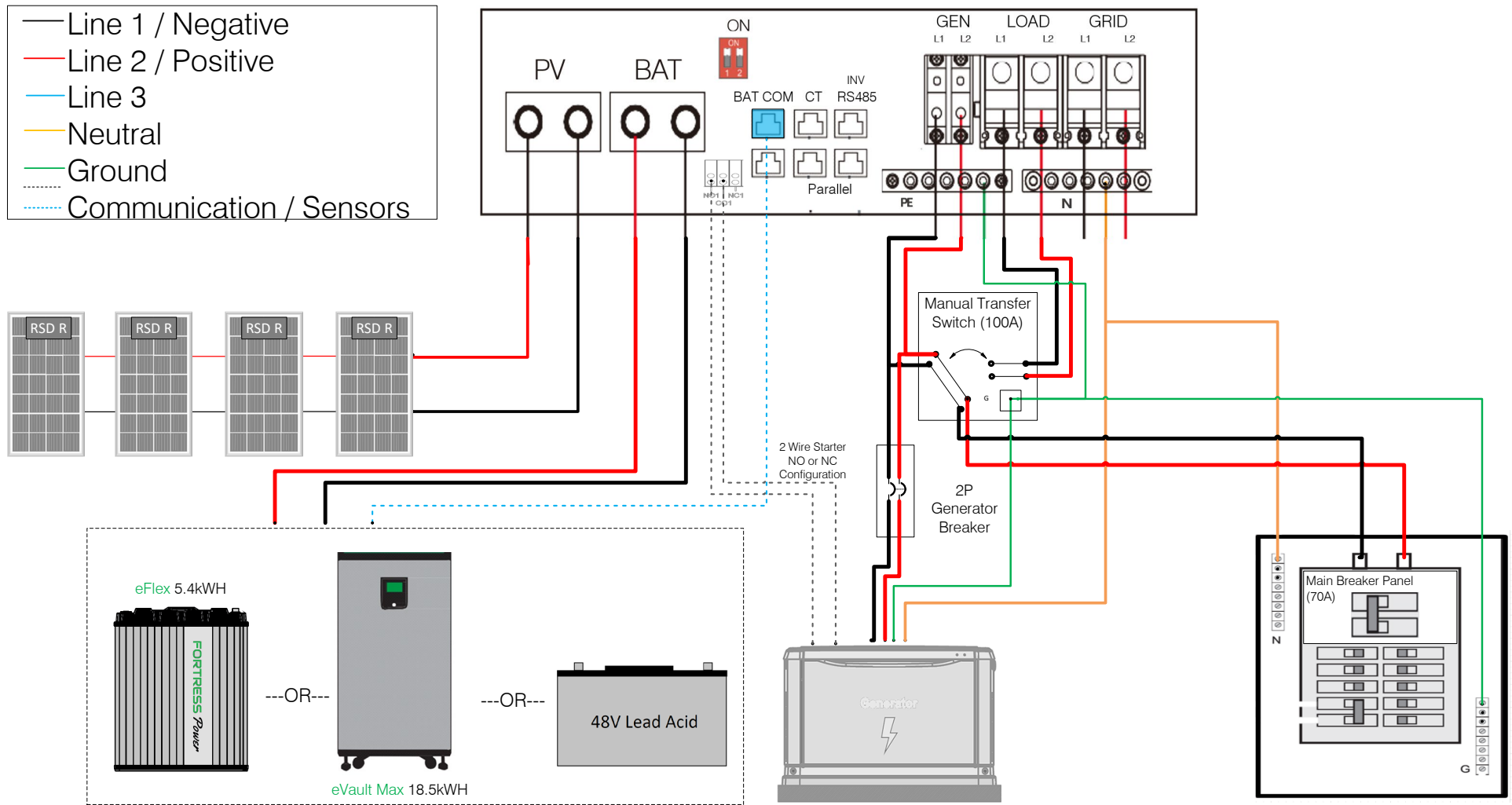
Always adhere to your local jurisdiction guidelines and make sure that an Electrician make all electrical connections.

Depending on your Local Jurisdiction a feeder tap breaker might be required between the Manual Bypass Switch and the feeder tap.

For requirements of connection safety, please refer 2020/2023 NEC 705.11 or 2017 NEC 705.12A



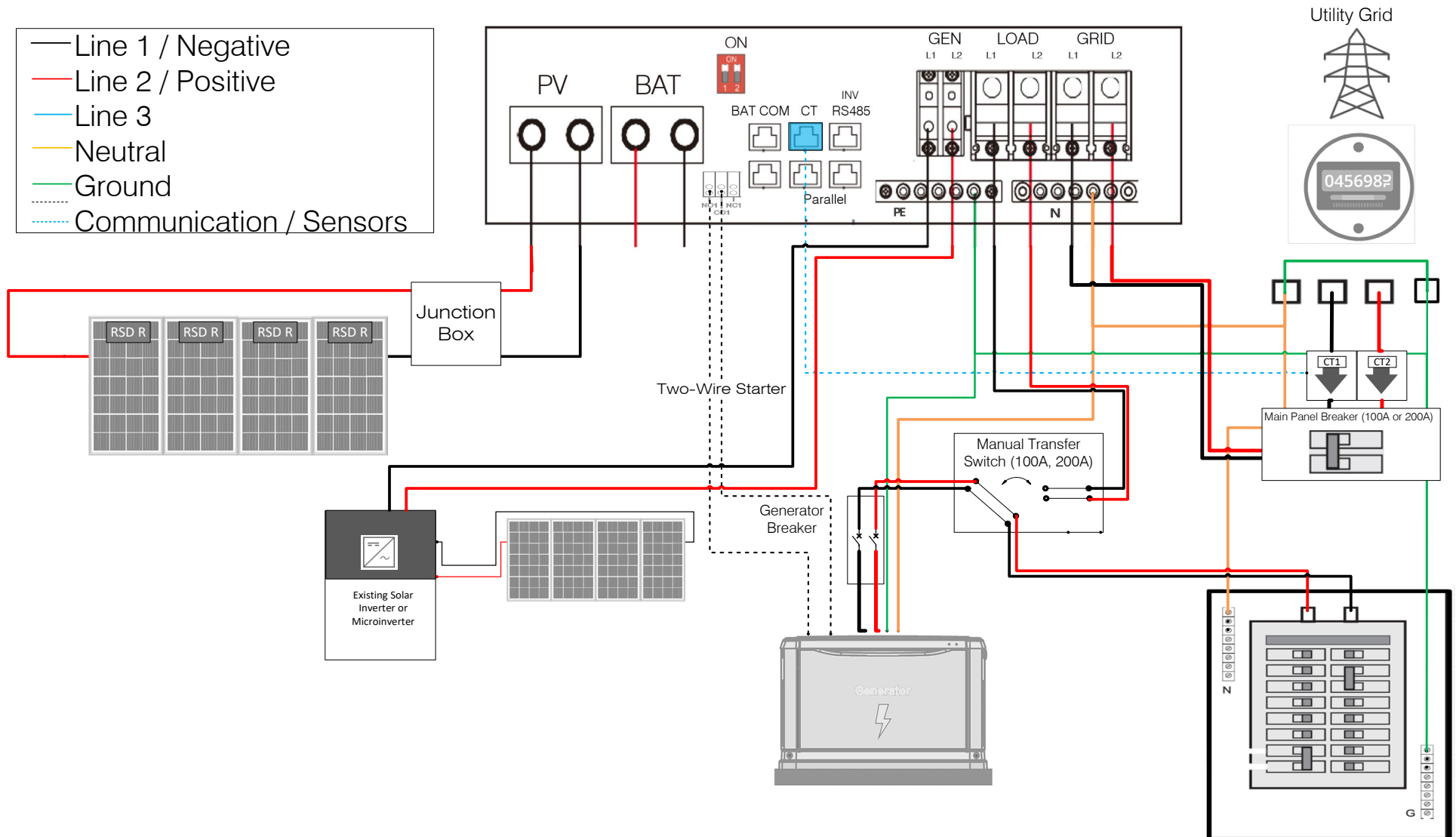
Off Grid Applications Connection (split-phase service 120/240V)



There should be only one Neutral to Ground Bond established at the Load panel of the electrical system.
 Always adhere to your local jurisdiction guidelines and make sure that an Electrician make all electrical connections.
For requirements of connection safety, please refer 2020/2023 NEC 705.11 or 2017 NEC 705.12A



Battery less Connection (split-phase service 120/240V, 120/208V)



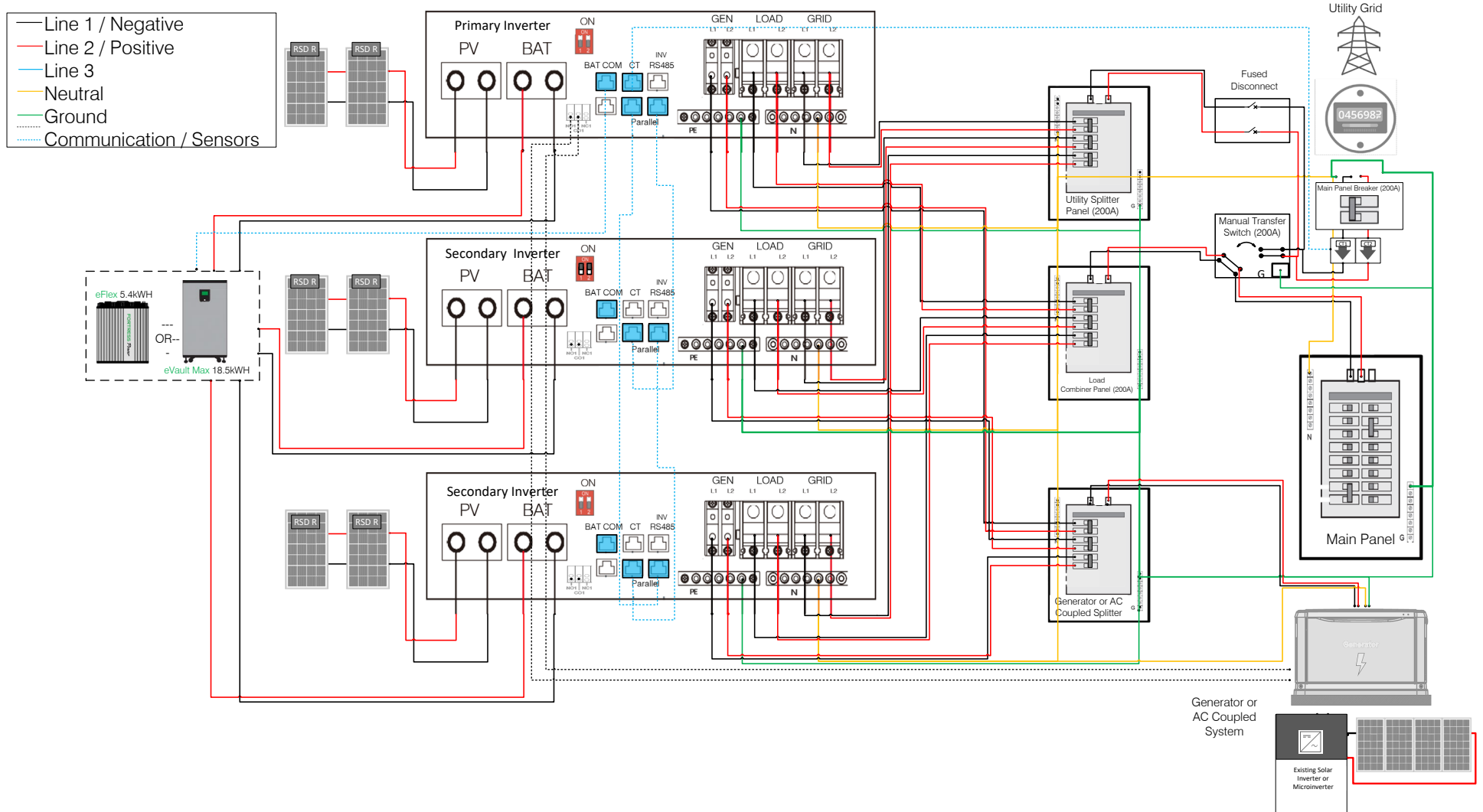
This schematic includes an optional generator addition in the case of grid outage. Note: the internal RSD transmitter is powered by a 12V source that is converted and supplied by grid connection or battery connection. Grid outage will deactivate the RSD transmitter. There should be only one Neutral to Ground Bond established on the supply side of the electrical system.

Always adhere to your local jurisdiction guidelines and make sure that an Electrician make all electrical connections.

For requirements of connection safety, please refer 2020/2023 NEC 705.11 or 2017 NEC 705.12A



Paralleled Systems Applications with a Feeder tap Connection (split-phase service 120/240V, 120/208V)



There should be only one Neutral to Ground Bond established on the supply side of the electrical system.

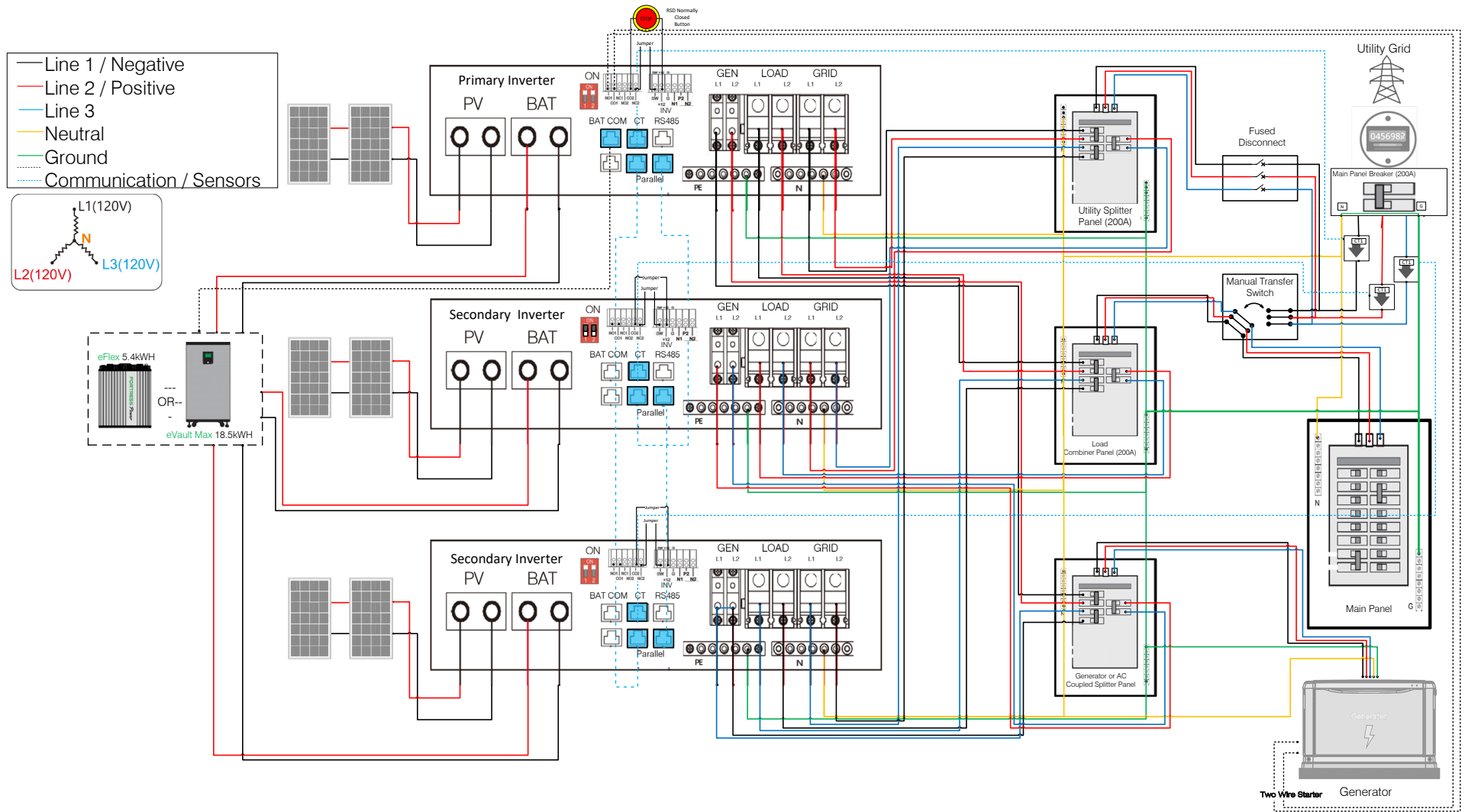
Always adhere to your local jurisdiction guidelines and make sure that an Electrician make all electrical connections.

Depending on your Local Jurisdiction a feeder tap breaker might be required between the Manual Bypass Switch and the feeder tap.

For requirements of connection safety, please refer 2020/2023 NEC 705.11 or 2017 NEC 705.12A



3 Paralleled Systems Applications with a Feeder tap Connection (3 Phase-phase service 120/208V)



There should be only one Neutral to Ground Bond established on the supply side of the electrical system.

Always adhere to your local jurisdiction guidelines and make sure that an Electrician make all electrical connections.

Depending on your Local Jurisdiction a feeder tap breaker might be required between the Manual Bypass Switch and the feeder tap.

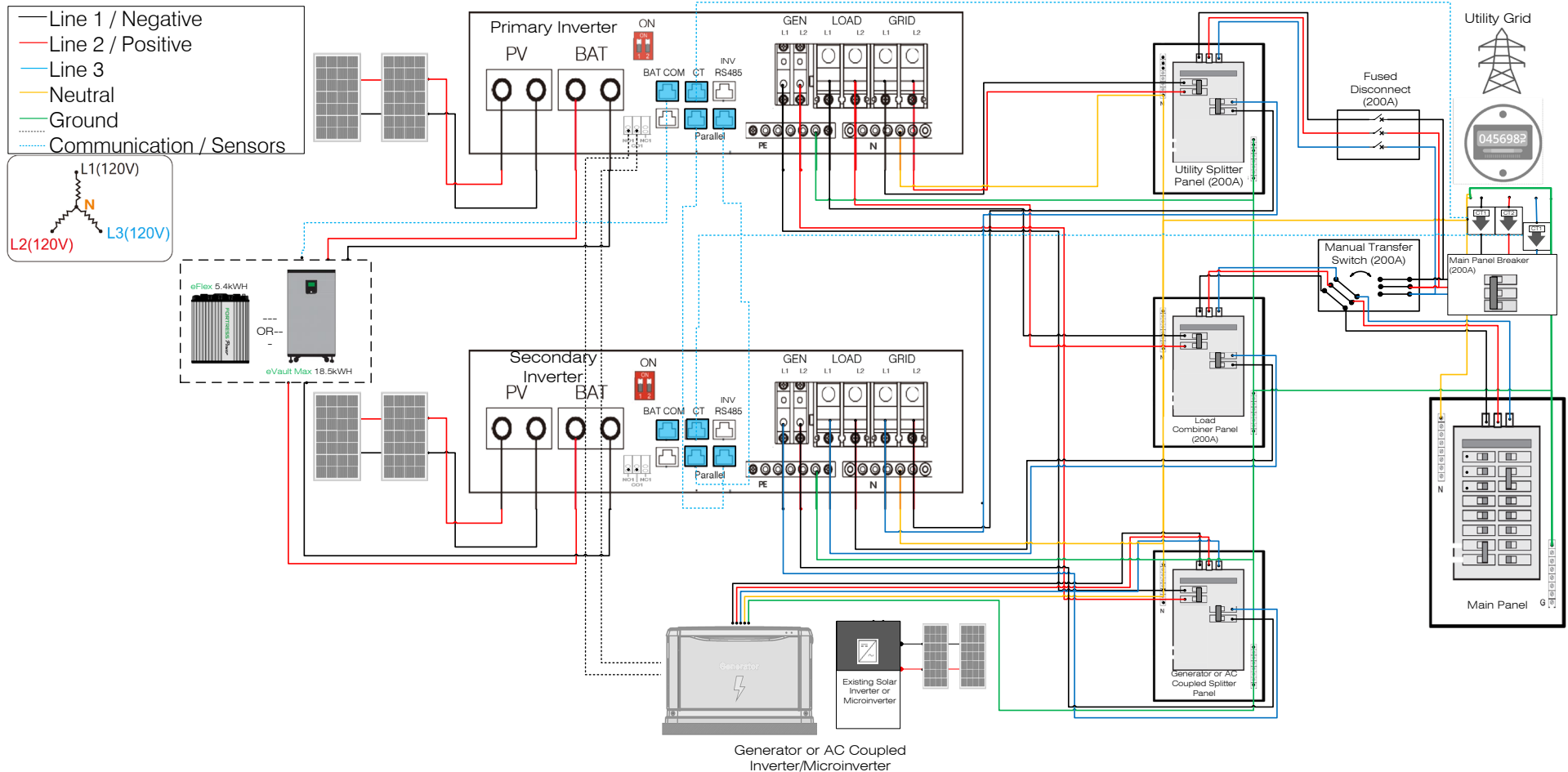
For requirements of connection safety, please refer 2020/2023 NEC 705.11 or 2017 NEC 705.12A

Follow the Commissioning Sequence on page 19 and the Paralleling Setup at page 31

Make sure that all the inverters are programmed identically when it comes to functionality, charge & discharge times, power, voltage, current etc. Otherwise, the systems may malfunction. Use only CT1 as described in the image.



2 Paralleled Systems Applications with a Feeder tap Connection (120/208V)



There should be only one Neutral to Ground Bond established on the supply side of the electrical system.

Always adhere to your local jurisdiction guidelines and make sure that an Electrician makes all electrical connections.

Depending on your Local Jurisdiction a feeder tap breaker might be required between the Manual Bypass Switch and the feeder tap.

For requirements of connection safety, please refer 2020/2023 NEC 705.11 or 2017 NEC 705.12A

Follow the Commissioning Sequence on page 19 and the Paralleling Setup at page 31.

Make sure that all the inverters are programmed identically when it comes to functionality, charge & discharge times, power, voltage, current etc. Otherwise, the systems may malfunction. Use CT1&CT2 for the Primary inverter and only CT1 for the Secondary inverter as described in the image.



Envy LCD Firmware update via USB

We strongly recommend updating the LCD Firmware to take advantage of the new functionalities of the Inverter.

You will only need a **USB Flash disk** and a **laptop computer** to add the files to it. Once you add the files you can re-use the same USB Flash Drive for all future installations. Follow these simple steps:

1. USB flash disk Size Selection

The Size of USB flash disk must be not more than 16GB. The Following are accepted: 16GB ,8GB, 4GB or 2GB.

2. Formatting USB flash disk

Plug the USB flash disk to your PC and select **"Format."**

3. File system configuration should be "FAT32" Allocation unit should be "4096 Bytes."

And press **"Start"** to format the USB flash disk.

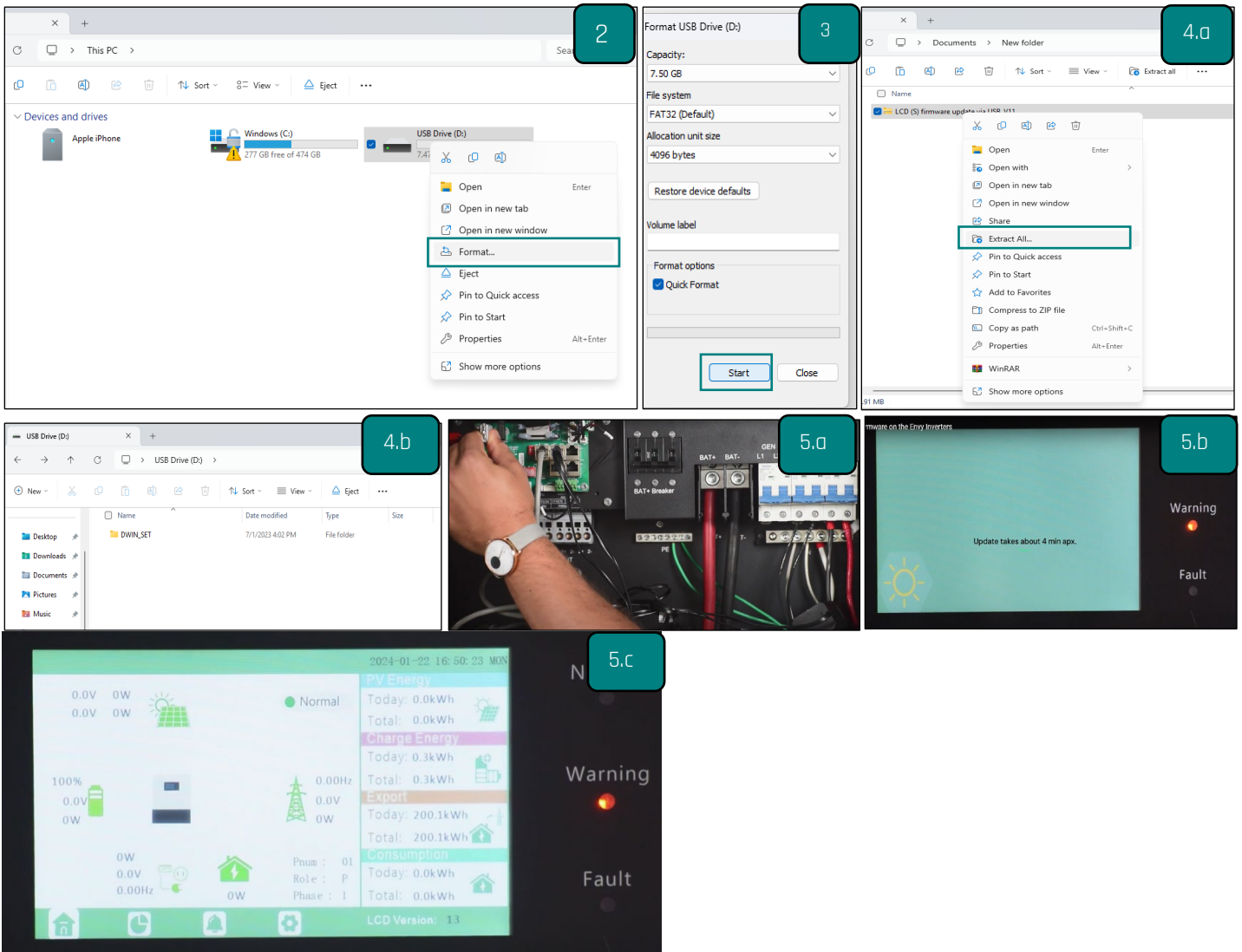
4. File Path

Extract the zip file,

Copy the extracted folder into the USB Flash Disk. File name must be "DWIN_SET",

5. LCD Firmware Update

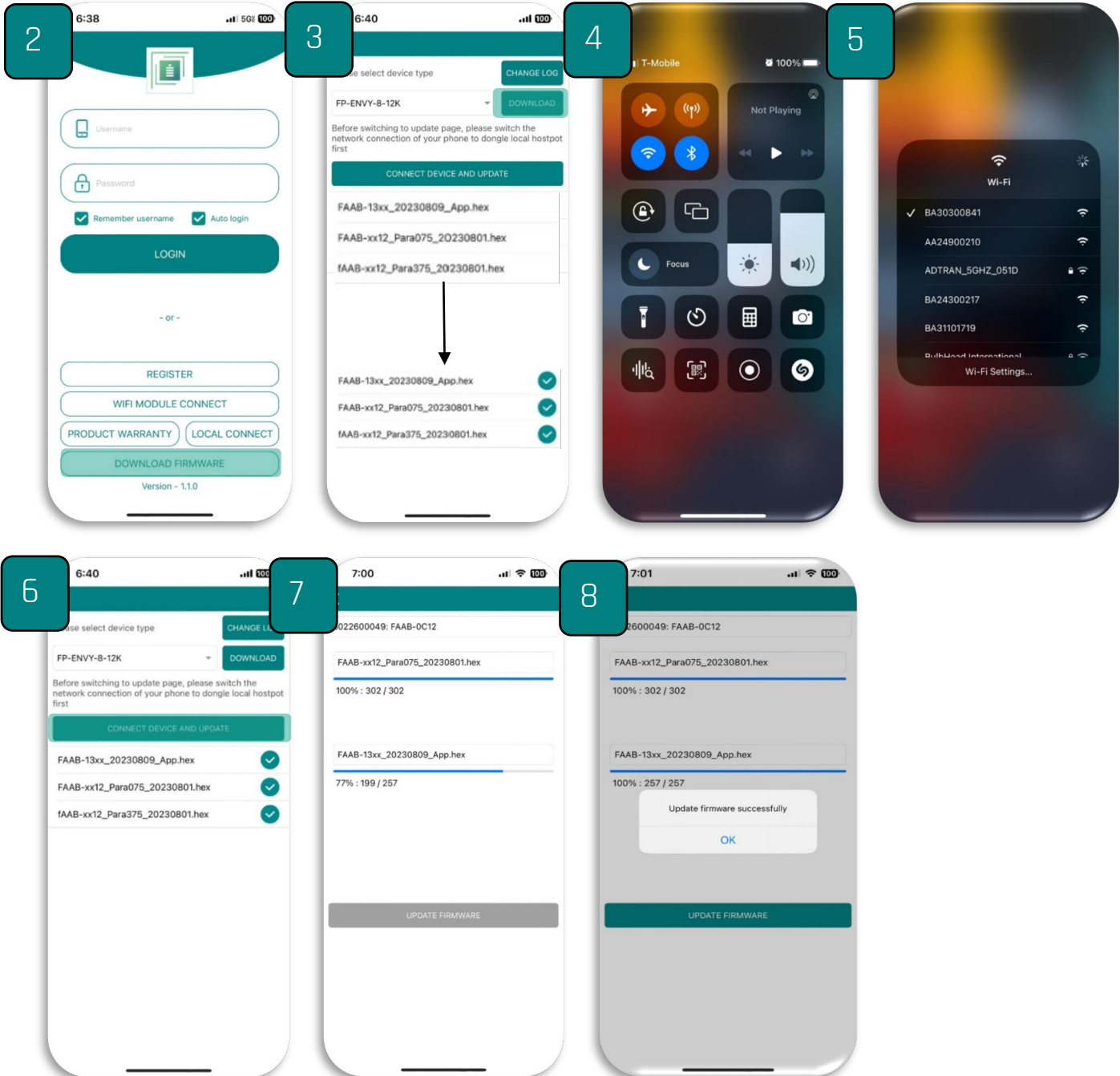
- a. Power off the inverter by turning off the PV disconnect and all breakers. Connect the USB Flash disk to the USB2 port of the interface board.
- b. After the USB flash disk has been well connected and you can power on the inverter, then you will see the screen display below, it will keep staying in the page for 4 minutes and then the screen will restart itself, and if the firmware update has been done successfully, you can see the normal home page.
- c. Unplug the USB flash disk (hot-plug feature is supported by USB2 port). You can check the LCD version code in the right bottom side of the LCD display. You can also see the LCD version or Firmware version of the inverter under the "Device info" page.





Envy Inverter Firmware Update

1. Download the **Envy Fortress Power App** and access it.
2. Select **Download Firmware** on the Home Screen of the App
3. Select **Download**, and three files should download (less than 30s)
4. **Disable Cellular Data** (to prevent your cellphone from connecting or searching for data as this might interrupt the firmware update process)
5. Select **Wi-Fi** and Connect to the **dongles serial number** (usually starts with AA or BA)
6. Return to the **APP** and select **Connect Device and Update**
7. When updating, you should see **2 progress bars** in the app and a flashing green light in the inverter. While the firmware is being pushed, do not make calls, touch the LCD, or use phone for anything else as this will cause firmware interruption. Do not allow your cellphone screen to dim or go to sleep mode. In the case of receiving a call or interruptions occur, you may reselect update firmware and the inverter will resume from where it left off.
8. You will receive a **Update Firmware Successful** message when both files have been pushed through.



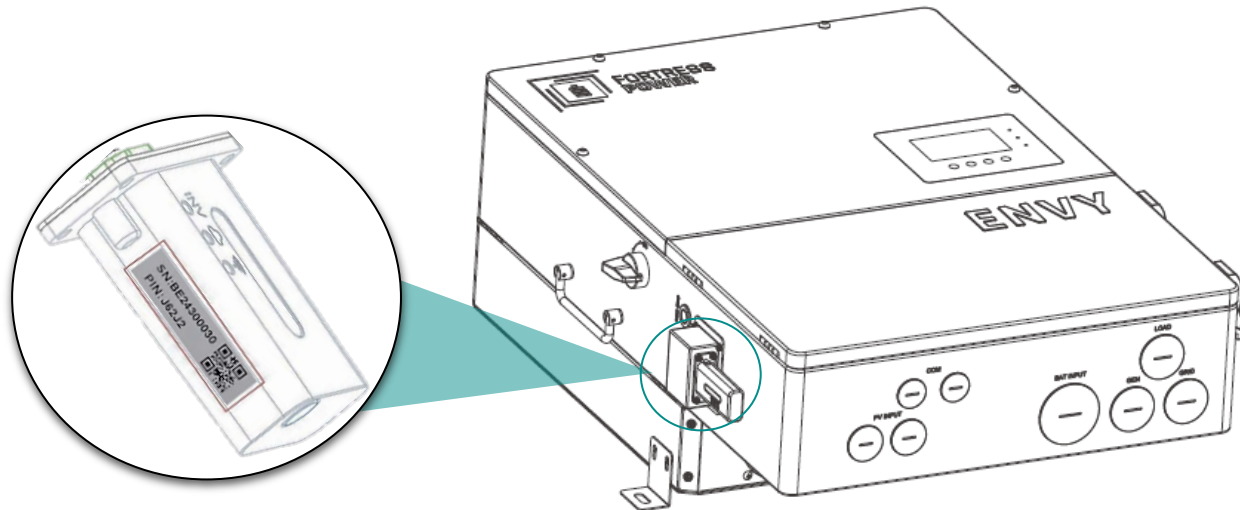


Monitor System Setup

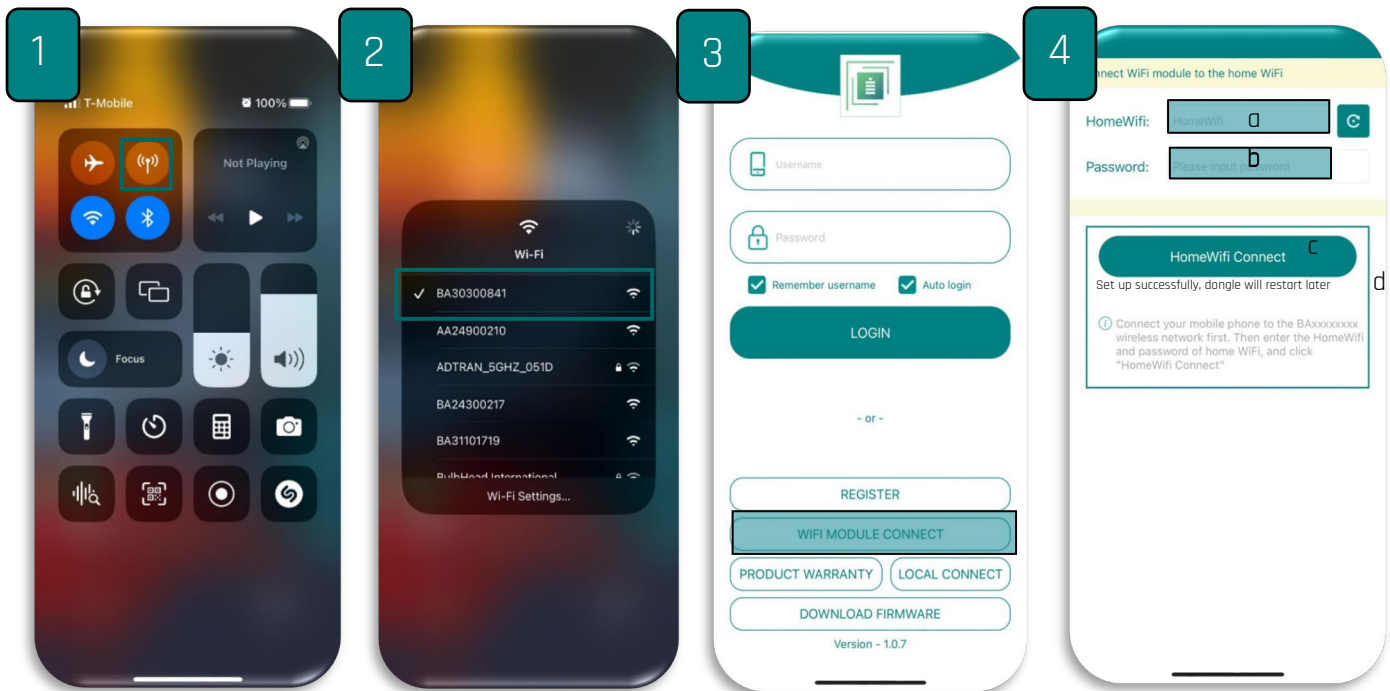
Wi-Fi Dongle Connection

Envy Fortress Power Mobile APP Method

Users can use the Wi-Fi/ dongle to monitor their inverter and view the monitoring data on a computer or smart phone remotely. Connect the dongle on the inverter while it's energized. The Dongle has a wireless signal reach of up to **10 meters (approximately 30ft.) in an open space**. If the Internet Router is farther than this distance, it is recommended to install a WIFI extender. Make sure to keep the Dongle connected permanently as it also serves to provide a seal to the Dongle Port. Make sure to also install the **Nylon Lock Nuts** in the knockout holes that are not being used.



1. Disable **cellular data** on the phone. **2.** Enable WI-FI and connect to the **Dongle's Serial number**. **3.** Access the **Envy Fortress Power App**. **4.** Type in the Router's **SSID** in the Home WIFI Section following its **password** then select **Home WIFI Connect**. A message will appear validating the integration's success. The dongle will reboot and take about 1 minute to connect. **5.** Confirm that the dongle has connected to the internet by visually checking that there are **three LEDs in a green solid state**.



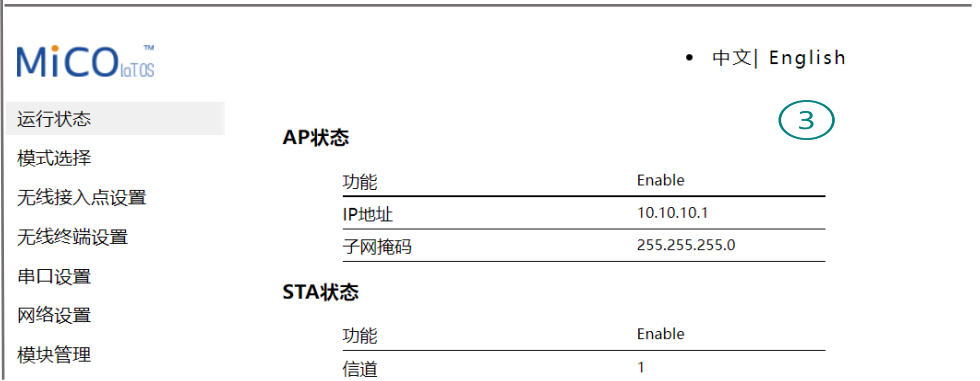
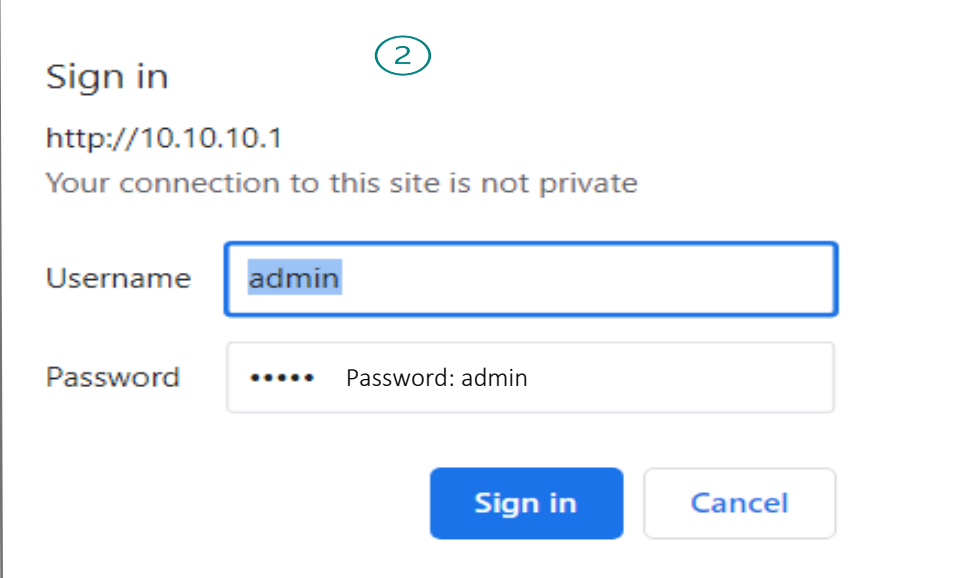
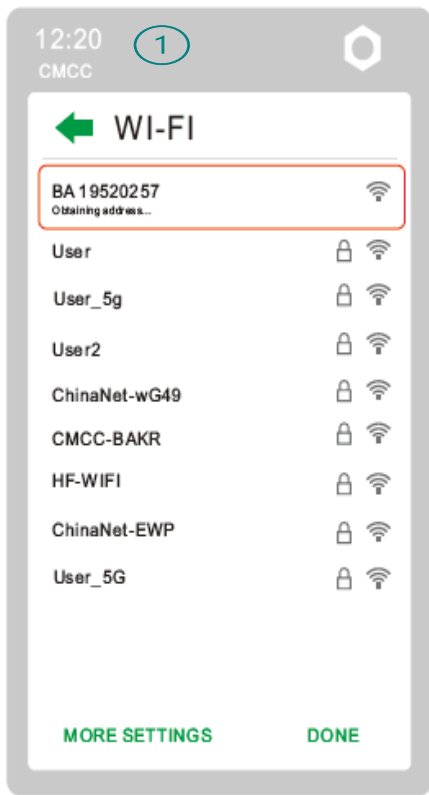


LED Definitions

INV LED	Communication between datalogger and inverter
Cloud Icon LED	Communication between datalogger and network
Wi-Fi Icon LED	Communication between datalogger and HomeWiFi

LED Status	Status	Troubleshoot
All LED's are solid green	Communication is Normal	
INV LED flashing	Communication Failure between Dongle and Inverter	Strictly Inspect the Connection between Dongle and Inverter
Cloud Icon LED Flashing	Communication Failure to the Internet	Check Router works normally. If not, Reset Router. Note: Dongle should be within 10 meters (approx. 33ft) distance from the router. Government issued Routers might not accept the dongle connection ex. Starlink. If this is the case, then add a compatible Wi-Fi extender and connect to it
WIFI LED flashing	Communication Failure between Dongle and Router	Check if Homewifi name and password are correct

IP Address method (Alternative method)





- Run State
- Wifi Mode Select
- AP Mode Setting
- Station Mode Setting
- Uart Setting
- Network Setting
- Moduel Management

Station Parameter Setting

SSID 4 scan

Encryption Mode

Password

save

Please select the wireless network you are currently using

Select	Name	Rss
<input type="radio"/>	NETGEAR26	-36%
<input type="radio"/>	DIRECT-9ED98899	-56%
<input type="radio"/>	CLARO6C1A58	-72%
<input type="radio"/>	NETGEAR39	-85%
<input type="radio"/>	Zorionak	-85%
<input type="radio"/>	Deco	-86%
<input type="radio"/>	Junior	-86%
<input type="radio"/>	ARRIS-D4CD	-87%
<input type="radio"/>		-87%

5

OK refresh

Parameter configuration success!

6

Reboot module to take effect whether to restart the module?

yes

Attention:

It will cost 3 seconds to restart module to stabilize work! Please be patient to wait for the completion of the restart!

7

Please do not click on any other commands during restarting process to avoid errors.

Connect to the

Wireless Network of the Dongle **BA******* using your phone or Laptop>type in a web browser **10.10.10.1**>Username: **admin** Password: **admin**> Select **English**> Select **Station Mode Setting**> Select **Scan** on **SSID**> Select your **Internet Wireless Network**>Enter your router's **Password**> Click **Save** and select **yes** to Reboot Dongle. Wait 1-2 minutes until the Dongle shows three solid green LED'S. **Success!**
Now you can disconnect your mobile phone from the "BAxxxxxxx" wireless network.

Register Account

1. Re-enable Mobile Data and Download **Envy Fortress Power APP** from the [Google Playstore](#) or [Apple Appstore](#).
2. On the Home Page, Select **Register** to register your Envy and create a User Account. You can also do this through the Web Portal at envy.fortresspower.io
3. Create and register the end-user's information and credentials. The "**customer code**" is a code we assign to your distributor or installer that will allow them to view each station and end-user created using this registration method. Installers can contact Fortress Power Tech Support to be assigned a code. For DIY users feel free to use the **Customer Code: Fortress**.
4. **Once registered, you can log in using the created credentials.** If you want to have more stations that need to be created, you can create them as stated in the image below. If there are multiple inverters being paralleled, then select **Add Wi-Fi Module** to the station created.

Envy Fortress Power

The image shows three screenshots of the Envy Fortress Power app interface:

- Screenshot 1:** Home screen with a **REGISTER** button highlighted in a red box.
- Screenshot 2:** Registration form with fields for Username, Password, Real name, E-mail, Tel number, Plant name, Daylight saving time, Continent, Region, Country, Timezone, Address, Customer code, Dongle SN, and PIN. The **REGISTER** button and the **Dongle SN** and **PIN** fields are highlighted in red boxes.
- Screenshot 3:** Station management screen showing a list of stations with columns for Station name / Serial number, Status, and Date. A red box highlights the top-left corner of the screen.



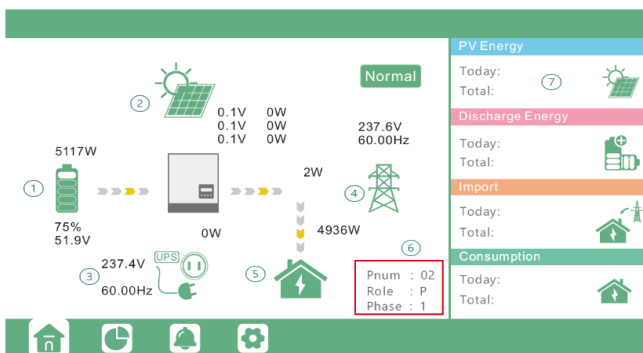
5. Login on the APP with your account, you'll find the inverter information already appears. Now you'll be able to monitor and control the inverter remotely on any smart phone or computer that has an Internet connection.
6. When selecting the Data Section, User will be able to monitor daily Energy production, Consumption, and Distribution.
7. When Selecting the Monitor Section, It will inform the user of any Event/Alarms/Faults relevant to the inverter and/or battery.

Envy Programming Through LCD Interface

Setting Parameters

- Always enable **Standby** when adjusting parameters and changes to the Inverter settings.
- Make sure to press **SET** on every change made, otherwise the value will revert to the default/previous parameter.
- **Password** to make Changes is **00000**
- Touch the screen to light it up if it's in sleep mode.
- Settings must be the same on all inverters when paralleled.
- Make sure that the Primary Battery is connected to the Master inverter when paralleling multiple inverters.
- Note: there are up to 3 time periods for Time of Use Settings (TOU) for each configuration. If used, always start with Time 1, use Time 2 then Time 3. Leave Time 2 and 3 blank if only a single time period is needed.


Clicking on the Home icon  at the bottom of the screen, you'll get into the Home Screen page of the inverter.



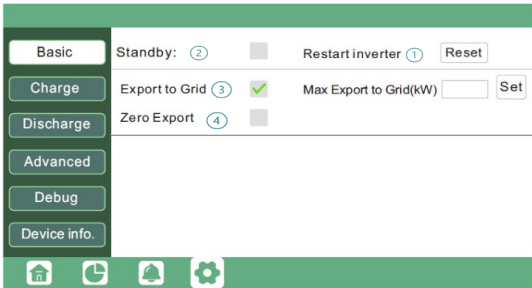
Figure#	Name	Displays
1	Battery	Voltage, SOC
2	Solar	MPPT Voltage & Power Production
3	Backup	Voltage, Power, and Frequency
4	Grid	Voltage, Power, and Frequency



5	Loads	Power
6	Inverter Identification	Qty. of Inverters, Role, and Phase (1-3, 1: R Phase, 2: S Phase, 3: T Phase)
7	Energy Usage Data	Daily and Historical Energy Production and Consumption, Import and Export Power

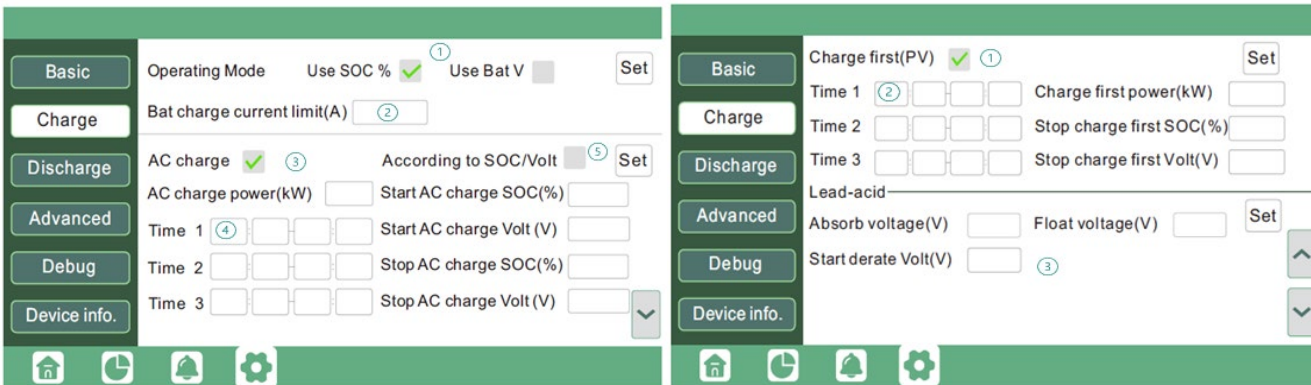
Clicking on the gear icon  at the bottom of the screen, you'll get into the parameter setting page of the inverter.

Basic Section



Figure#	Name	Function
1	Restart Inverter	Restart the system, please note the power maybe interrupted when restarted.
2	Standby	For users to set the inverter to normal status or to standby status. In standby status, the inverter will stop any charging or discharging operations, as well as solar-feed-in and will allow AC passthrough if Grid-tied.
3	Export to Grid	When enabled, Inverter will export excess energy production back to Utility using the set kW.
4	Zero Export (Self Consumption)	When enabling, Inverter will sense voltage and current every 20ms to prevent any solar being exported and at the same time allow solar production to supply power to the loads connected in the main panel and critical load panel. Disable Export to Grid when using this function

Charge Section



Figure#	Name	Function
1	Operating Mode	Enabling SOC or Bat V to control charge and discharge logic depending on battery type. Always use percentage settings when in Closed Loop Using lithium batteries
2	Bat Charge Current Limit(a)	Use to set the maximum charging current recommended by the battery manufacturer.
3	AC Charge	By enabling, inverter will use available AC to charge the battery. AC Charge power(kW) to limit utility charging power,
4	TOU (Time of Use)	AC Charge will obey the time ranges. Users can charge batteries with grid power when electricity prices are cheap, and discharge battery power to supply load or export to the grid when electricity prices are high.
5	According to SOC/Volt	AC Charge will adhere to charging based on SOC/Volt settings rather than TOU.

Scroll Down 

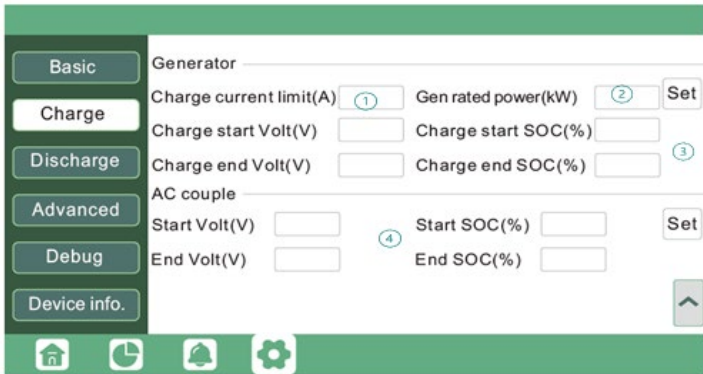
1	Charge First (PV)	Charge first: PV charge configuration. When using enable Charge first, PV will charge the battery as a priority, set time periods when PV charge can happen, charge first power(kW) to limit PV charge power, and "Charge
---	--------------------------	---



first SOC (%)” as the target SOC for PV charge first. “Charge first Volt(V)” as the target battery voltage for PV Charge first

2	TOU (Time of Use)	AC Charge will obey the time ranges. Users can charge batteries with grid power when electricity prices are cheap, and discharge battery power to supply load or export to the grid when electricity prices are high.
3	Lead Acid/Open Loop Settings	When using Lead-acid battery or Open Loop Settings, you need to set parameters in these programs, Follow the battery manufacture recommendations.

Scroll Down



Generator

Generator Start Conditions

1. When utility fails and
2. When battery is discharged to cut-off settings or there is force charge request from battery or when the battery voltage or SOC is lower than the Generator Charge start Volt/SOC settings,

Generator Stop Conditions

1. When battery voltage or SOC is higher than Charge end Volt/SOC settings value.

AC Coupling

Users need to enable AC coupling function. The inverter supports AC coupling connection with the existing grid-interactive solar system. The existing solar system is to be connected to the inverter's GEN port. AC

Coupling power generation in an OFF-Grid scenario will be active when the batteries Start SOC%/V is reached and will power off when End SOC%/V is reached.

Figure#	Name	Function
1	Charge Current Limit (A)	Set the Max. battery charge current from the Generator. The Generator will start charging according to the Charge start Volt/SOC and stop charging when the battery voltage or SOC reaches the Charge end Volt/SOC value.
2	Gen rated power	Inverter has the peak-shaving function, when you need you can enable it and setup the Gen peak-shaving power(W)
3	Charge Start & End SOC/Volt	Depends on the Bat operating mode setting; The system will use either battery SOC or battery voltage to determine whether the system needs to start or stop the generator.
4	AC Couple	When the Grid is on, the GEN terminal is connected to the grid terminal inside the inverter. In this case the hybrid inverter will bypass the interactive inverter AC to the grid and EPS. When On-Grid and Export to Grid are enabled, the AC-coupled inverter will always be on, and it will sell any extra power back to the grid. Ensure you are allowed to sell power to your utility provider. When export to Grid is disabled, the AC-coupled inverter will stay at off mode and could not work at on-grid mode to sell power. When grid is off, The GEN terminal is connected to the EPS terminal inside the inverter. In this case, the loads will be first supplied by solar power. If solar panels are generating more power than load consumption, the excess solar power will be stored in the battery. When solar power exceeds the sum of load power and max battery charging power, e.g. when battery is nearly full. The inverter will signal the grid interactive inverter to reduce power via the frequency shifting power reduction mechanism, thus, to maintain the balance of generation and consumption of the micro grid system. End SOC (%): The SOC at which the AC coupled inverters are shut down when in off-grid mode. 90% recommended. Start SOC (%): The SOC at which the AC coupled inverters are turned on when in off-grid mode. 50%~70% recommended



Discharge Section

Figure#	Name	Function
1	Operating Mode	You can choose "Use SOC %" or Use Bat V" to control the battery discharge state
2	Discharge current limit(A)	Discharge current limit(A); The Max. discharge current from battery
3	Discharge start power(W)	The Min. value can be set to 50. When the inverter detects the import power is higher than this value, battery start discharging, otherwise battery will keep standby.
4	On-grid Cut-off (%) / V & Off-grid Cut-off (%) / V	When the On-grid value is reached. Inverters will stop discharging batteries and switch to grid power to supply loads. The maximum set value is 90%. When Off Grid value is reached, the inverter will stop discharging the battery. Make sure to have an external power source like a generator so that the home does not lose power.
5	Forced discharge	Settings for battery force discharge within a certain time period. The inverter will discharge battery to the loads and excess will sell back to the grid at set power rate until time or Stop SOC is reached.

Scroll Down

1	Grid peak-shaving & Grid peak-shaving power(kW):	Is used to set the maximum power that the inverter will draw from its grid power. The rest will be supplied with available solar and battery power.
2	Smart Load	This function is to make the Gen input connection point as a load connection point, if you enable it, inverter will supply power to this load when the battery SOC and PV power is above a user setup value. e.g. Smart load start SOC=90%, Smart load end SOC=85%, Start PV power=300W, it means: When the PV power exceeds 300W, and the battery system SOC gets to 90%, the Smart Load Port will switch on automatically to supply the load which is connected on this side. When the battery reaches SOC<85% or PV power<300w, the Smart Load Port switch off. Note: If you enable the Smart load function, it's forbidden to connect the generator at the same time, otherwise the device will be damaged!

Advanced Section



Figure#	Name	Function
1	PV Input	Provides Selection of the quantity of MPPTS being used
2	CT Configuration	The supported CT ratio is 1000:1, 2000:1, 3000:1. The Default CT ratio that is provided with your inverter is 3000:1. If 3rd party CT is to be used, please. ensure its CT ratio is one of them and set it accordingly. CT direction reverse is to correct the direction of energy flow if installers placed the CTs in the wrong orientation. Meter type should be 0:1 phase.
3	Offgrid Output	Enable to turn on Backup mode.
4	Seamless Switch	When enabled, the inverter will start inverting in less than 20ms when grid outage. Otherwise, it will inverter in less than 50ms.
5	AC Couple	Enable when user has AC coupling. AC coupled systems must always be connected in the Generator Port.
6	Charge Last	When enabled, solar will supply energy first to Loads>Export to Grid and charge battery with the remaining power.
7	EPS Output Without Battery	When enabled, it will use solar power to supply load when the grid fails, or load-shedding happens.
8	Micro-Grid	Only needs to be set when the generator is connected to the inverter's grid port. With this option enabled, the inverter will use AC power to charge the battery and won't export any power through the grid.
9	Smart Load	Enable to Turn ON Smart Load function. Do not connect an AC source when this function is enabled, or you may damage the inverter
10	Run Without Grid	Enable when in Off Grid application. Do not place any AC Source on the grid port when this function is enabled.
Scroll Down ▾		
1	Grid Type	Choose 120/240V or 120/208V
2	Grid Frequency	Choose 60 Hz (US, PR, MX) 50Hz
3	Grid Regulation	UL1741 & IEEE, CA RULE21, HAWAII HECO, PR-LUMA. Voltage and Frequency codes will generate automatically.
4	Battery Type	NO, BATTERY, LEAD-ACID, LITHIUM
5	Lithium Brand	LITHIUM 18 (FORTRESS POWER Protocol). Confirm batteries are communicating in the Detailed System information Section.
6	Lead Capacity (Ah)	Set battery bank capacity for open loop settings or Lead Acid batteries. Leave default value if Closed Loop. For Lead-acid battery 1. The temperature sensor for the lead-acid battery is optional. If you need it, please contact the distributor for purchasing. 2. There are three stages for lead-acid battery charging. For charging/discharge related parameters, please check the charge /discharge settings page.
Scroll Down ▾		



Paralleling Setup (LCD Interface)

Single Split Phase 120/240V Paralleling.

Utility Voltage Setup

Basic | Grid type: 240V/120V | Grid Freq: 60 | Set

Charge | Grid regulation: UL1741&IEEE1547 | Reconnect time(S):

Discharge | HV1: V S HV2: V S HV3: V S

Advanced | LV1: V S LV2: V S LV3: V S

Debug | HF1: Hz S HF2: Hz S HF3: Hz S

Device info. | LF1: Hz S LF2: Hz S LF3: Hz S

Battery type: 1:Lead-acid | Set

Lithium brand: | Lead capacity(Ah):

Primary Inverter

Basic | Parallel system: |

Charge | Role: 1 phase primary | Phase: R Phase | Set

Discharge | Parallel battery: |

Advanced | Share battery: | Set

Debug | Auto Detect Phase: | Reset

Device info. |

Secondary Inverter

Basic | Parallel system: |

Charge | Role: Subordinate | Phase: R Phase | Set

Discharge | Parallel battery: |

Advanced | Share battery: | Set

Debug | Auto Detect Phase: | Reset

Device info. |

3Phase 120/208V Paralleling (3 inverters)

Utility Voltage Setup

Basic | Grid type: 208V/120V | Grid Freq: 60 | Set

Charge | Grid regulation: UL1741&IEEE1547 | Reconnect time(S):

Discharge | HV1: V S HV2: V S HV3: V S

Advanced | LV1: V S LV2: V S LV3: V S

Debug | HF1: Hz S HF2: Hz S HF3: Hz S

Device info. | LF1: Hz S LF2: Hz S LF3: Hz S

Battery type: 1:Lead-acid | Set

Lithium brand: | Lead capacity(Ah):

Primary Inverter

Basic | Parallel system: |

Charge | Role: 3 phase primary | Phase: R Phase | Set

Discharge | Parallel battery: |

Advanced | Share battery: | Set

Debug | Auto Detect Phase: | Reset

Device info. |

Secondary Inverter

Basic | Parallel system: |

Charge | Role: Subordinate | Phase: S Phase | Set

Discharge | Parallel battery: |

Advanced | Share battery: | Set

Debug | Auto Detect Phase: | Reset

Device info. |

2nd Secondary Inverter

Basic | Parallel system: |

Charge | Role: Subordinate | Phase: T Phase | Set

Discharge | Parallel battery: |

Advanced | Share battery: | Set

Debug | Auto Detect Phase: | Reset

Device info. |



3Phase 120/208V Paralleling (2 Inverters)

Utility Voltage Setup

Basic Grid type 208V/120V Grid Freq 60 Set

Charge Grid regulation UL1741&IEEE1547 Reconnect time(S)

Discharge HV1 V S HV2 V S HV3 V S

Advanced LV1 V S LV2 V S LV3 V S

Debug HF1 Hz S HF2 Hz S HF3 Hz S

Device info. LF1 Hz S LF2 Hz S LF3 Hz S

Battery type 1:Lead-acid Set

Lithium brand Lead capacity(Ah)

Primary Inverter

Basic Parallel system

Charge Role 2x208 primary Phase R Phase Set

Discharge Parallel battery

Advanced Share battery Set

Debug Auto Detect Phase Reset

Device info.

Secondary Inverter

Basic Parallel system

Charge Role Subordinate Phase T Phase Set

Discharge Parallel battery

Advanced Share battery Set

Debug Auto Detect Phase Reset

Device info.

When paralleling multiple Inverters, make sure to complete paralleling process by identifying which is the Primary inverter and the secondary on Parallel System area under the Advance Section. You can confirm by Selecting the Home Icon and view how many inverters are in connection (**PNUM**) and which **Role** each has (**P=Primary, S=Subordinate**)



Detailed System Information Section

To access the Detailed System Information, click on the pie icon at the bottom of the screen and you'll be able to view the detailed real time solar information, battery information, grid information and EPS output information.

To confirm Batteries have been installed correctly and are communicating with the inverter, please refer to the Battery side of this section and note the "Imaxdischg". For each eFlex 5.4kWh installed the value should be 60A. For each eVault 18.5kWh installed, the value should be 250A.

Solar	Vpv1		Ppv1	
Battery	Vpv2		Ppv2	
Grid	Vpv3		Ppv3	
UPS	Epv1_day		Epv1_all	
Other	Epv2_day		Epv2_all	
	Epv3_day		Epv3_all	

Solar	Vbat		Ibat	
Battery	Pchg		Pdischg	
Grid	Vbat_Inv		BatState	
UPS	SOC/SOH		CycleCnt	
Other	Vchgrf/Vcut		Bat capacity	
	I maxchg		I maxdischg	
	Vcellmax		Vcellmin	
	Tcellmax(°C)		Tcellmin(°C)	
	BMSEvent1		BMSEvent2	
	Echg_day		Edischg_day	
	Echg_all		Edischg_all	

Solar	Vgrid		Fgrid	
Battery	VgridL1N		VgridL2N	
Grid	Vgen		Fgen	
UPS	Pimport		Pexport	
Other	Pinv		Prec	
	Pload			
	Eimport_day		Eexport_day	
	Eimport_all		Eexport_all	
	Einv_day		Erec_day	
	Einv_all		Erec_all	
	Eload_day		Eload_all	

Solar	Vups		Fups	
Battery	VupsL1N		VupsL2N	
Grid	Pups		Sups	
UPS	PupsL1N		SupsL1N	
Other	PupsL2N		SupsL2N	
	Eups_day		Eups_all	
	EupsL1N_day		EupsL1N_all	
	EupsL2N_day		EupsL2N_all	

Solar	Status		StatusPre	
Battery	SubStatus		SubStatusPre	
Grid	FaultCode		AlarmCode	
UPS	Vbus1/Vbus2		VbusP/VbusN	
Other	T0/T1(°C)		T2/T3(°C)	
	OCP/Grid OnOff Cnt		ExitReason 1/2	
	InnerFlag/Run Trace		NoDis/chgReason	
	Dis/chg LimitReason		Dis/chg CurrLimit	
	Inv/Rec LimitReason		Inv/Rec CurrLimit	
	Para status			



Troubleshooting & Maintenance

Regular Maintenance



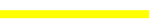

Inverter Maintenance

- Check the inverter every 6 months or 1 year to verify if there is damage on cables, accessories, terminals, and the inverter itself.
- Check the inverter every 6 months to verify if the operating parameter is normal and there is no abnormal heating or noise from the inverter.
- Check the inverter every 6 months to confirm there is nothing that covers the inverter heat sink, if there is, shut down the inverter and clear the heat sink.

Battery Maintenance

Follow the manufacturer's requirements on maintenance. When you carry out these works on batteries, please make sure to fully shut down the inverter for safety consideration.

LED Displays

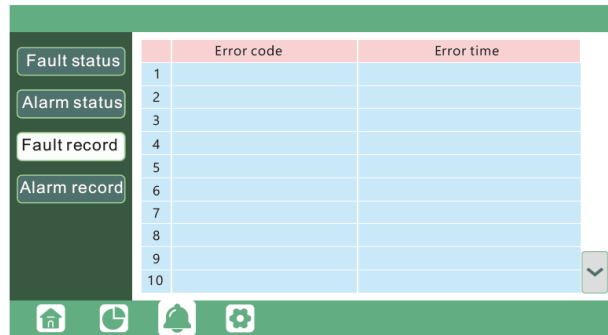
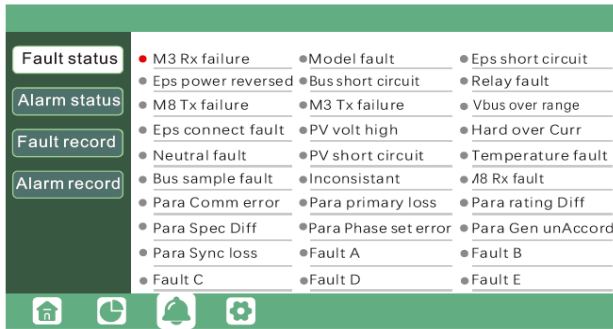
LED	Display	Description	Suggestion
Green LED	Solid lit 	Working normally	
	Flashing 	Firmware upgrading	Wait for the firmware upgrade to be completed
Yellow LED	Solid lit 	Alarm, inverter is working but needs checked.	Wait for it to be clear up, If Alarm, remains it might need troubleshooting
Red LED	Solid lit 	Fault, inverter stopped working	Need troubleshooting

Troubleshooting Based On LCD Displays

Once there is any warning or fault occurring, users can troubleshoot according to the LED status and the warning/fault information on the LCD.

Touching the bell icon at the bottom of the screen, you'll see all the current and historical fault & warning information on this page.

1. Fault on the LCD If the dot on the left of fault item is red, it means the fault is active. When it is grey, it means the fault is inactive.



Fault	Meaning	Troubleshooting
M3 Rx failure	M3 microprocessor fails to receive data from DSP	Restart inverter, if the error still exists, contact Fortress Power service or your inverter supplier.
Model fault	Incorrect model value	
Eps short circuit	Inverter detected short-circuit on EPS Load output terminals	<ol style="list-style-type: none"> Check if the L1, L2 and N wires are connected correctly at inverter EPS Load output port. Disconnect the EPS Load breaker to see if fault remains. If fault persists, contact Fortress Power service or your inverter supplier.



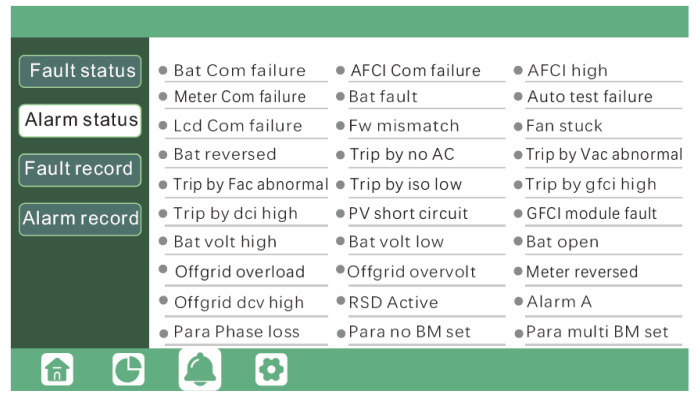
EPS power reversed	Inverter detected power flowing into EPS Load port	Restart inverter, if the error still exists, contact Fortress Power service or your inverter supplier.
Bus short circuit	DC Bus is short circuited	
Relay fault	Relay abnormal	
M8 Tx failure	DSP fails to receive data from M8 microprocessor	
M3 Tx failure	DSP fails to receive data from M3 microprocessor	
Vbus over range	DC Bus voltage too high	Please check if the PV string voltage is within the inverter specification. If string voltage is within range, and this fault still appears, contact Fortress Power service or your inverter supplier.
EPS connect fault	EPS Load port and grid port are connected mixed up	Check if the wires on EPS Load port and grid port are connected correctly. If the error exists, contact Fortress Power service or your inverter supplier.
PV volt high	PV voltage is too high	Please check if the PV string voltage is within the inverter specification. If string voltage is within range, and this fault still appears, contact Fortress Power service or your inverter supplier.
Hard over curr	Hardware level over current protection triggered	Restart inverter, if the error still exists, contact Fortress Power service or your inverter supplier.
Neutral fault	Voltage between N and PE is greater than 30V	Check if the neutral wire is connected correctly.
PV short circuit	Short circuit detected on PV input	Disconnect all PV strings from the inverter. If the error persists, contact Fortress Power service or your inverter supplier.
Temperature fault	Heat sink temperature too high	Install the inverter in a place with good ventilation and having no direct sunlight. If the installation site is okay, please check if the NTC connector inside the inverter is loose.
Bus sample fault	Inverter detected DC bus voltage lower than PV input voltage	Restart inverter, if the error still exists, contact Fortress Power service or your inverter supplier.
Inconsistent	Sampled grid voltage values of DSP and M8 microprocessor are inconsistent	
M8 Rx fault	M8 microprocessor fails to receive data from DSP	
Para Comm error	Parallel communication abnormal	1. Please check whether the connection of the parallel cable is loose, please connect the parallel cable correctly. Please check and make sure the PIN status of CAN communication cable from the first to the end inverter is correctly inserted.
Para master loss	No master in the Parallel system	a. If a master has been configured in the system, the fault will be automatically removed after the master works. If so, you can ignore it. b. If a master has not been configured in the system, and there are only slaves in the system, please set the master first. Note: For single unit running system, the role of the inverter should be set as "1 phase master"



Para rating Diff	Rated power of parallel inverters are inconsistent	Please confirm that the rated power of all inverters are the same, or you can contact Fortress Power service to confirm
Para Phase set error	Incorrect setting of phase in parallel	Please confirm that the wiring of the parallel system is correct first. In this case, then connect each inverter to the grid, the system will automatically detect the phase sequence, and the fault will be automatically resolved after the phase sequence is detected.
Para Gen un-Accord	Inconsistent generators connect in parallel	Some inverters are connected to generators, some are not. please confirm that all inverters in parallel are connected to generators together or none of them are connected to generators
Para sync loss	Parallel inverter fault	Restart inverters, if the error still exists, contact Fortress Power service or your inverter supplier

2. Alarm on the LCD

If the dot on the left of the alarm item is yellow, it means the alarm is active. When it is grey, it means the alarm is cleared.



Alarm	Meaning	Troubleshooting
Bat com failure	Inverter fails to communicate with battery	Check if communication cable is correct, and if you have chosen the correct battery brand on inverter L. If all is correct but this error persists, please contact Fortress Power service or your inverter supplier.
AFCI com failure	Inverter fails to communicate with AFCI module	Restart inverter, if the error persists, contact Fortress Power service or your inverter supplier.
AFCI high	PV arc fault is detected	Check each PV string for correct open circuit voltage and short circuit current. If the PV strings are in good condition, please clear the fault on inverter LCD.
Meter com failure	Inverter fails to communicate with the meter	<ol style="list-style-type: none"> 1. Check if the communication cable is connected correctly and in good condition. 2. Restart inverter. If the fault persists, contact Fortress Power service or your inverter supplier.
Bat Fault	Battery cannot charge or discharge	<ol style="list-style-type: none"> 1. Check the battery communication cable for correct pinout on both inverter and battery end; 2. Check if you have chosen an incorrect battery brand; 3. Check if there is fault on battery's indicator. If there is fault, please contact your battery supplier.

Auto test failure	Auto test failed	Only applied to Italy model
--------------------------	------------------	-----------------------------



Lcd com failure	LCD fails to communicate with M3 microprocessor	Restart inverter. If fault still exists, contact Fortress Power service or your inverter supplier.
Fwm mismatch	Firmware version mismatch between the microprocessors	
Fan stuck	Cooling fan(s) are stuck	
Trip by gfci high	Inverter detected leakage current on AC side	3. Check if there is ground fault on grid and load side; 4. Restart inverter. If the fault remains, contact Fortress Power service or your inverter supplier.
Trip by dci high	Inverter detected high DC injection current on grid port	Restart inverter. If the fault remains, contact Fortress Power service or your inverter supplier.
PV short circuit	Inverter detected short circuited PV input	a. Check if each PV string is connected correctly; b. Restart inverter. If the fault remains, contact Fortress Power service or your inverter supplier.
GFCI module fault	GFCI module is abnormal	Restart inverter. If fault still exists, contact Fortress Power service or your inverter supplier.
Bat volt high	Battery voltage too high	Check if battery voltage exceeds 59.9V, battery voltage should be within inverter specification.
Bat volt low	Battery voltage too low	Check if battery voltage is under 40V, battery voltage should be within inverter specification.
Bat open	Battery is disconnected from inverter	Check battery breaker or battery fuse.
Offgrid overload	Overload on EPS port	Check if load power on inverter EPS port is within inverter specification.
Offgrid overvolt	EPS voltage is too high	Restart inverter. If fault still exists, contact Fortress Power service or your inverter supplier.
Meter reversed	Meter is connected reversely	Check if meter communication cable is connected correctly on inverter and meter side.
Offgrid dcv high	High DC voltage component on EPS output when running off-grid	Restart inverter. If fault still exists, contact Fortress Power service or your inverter supplier.
RSD Active	Rapid shutdown activated	Check if the RSD switch is pressed.
Para phase loss	Phase losing in parallel system	Please confirm that the wiring of the inverter is correct. If the master is set to 3 Phase master, the number of parallel inverters needs to be ≥ 3 . (And the grid input of each inverter should be connected with Grid L1,L2,L3 rightly). If the master is set to 2x 208master, the number of parallel inverters needs to be ≥ 2 . (And the grid input of each inverter should be connected with Grid L1,L2,L3 rightly)
Para no BM set	Master isn't set in the parallel system	Please set one of the inverters in the parallel system as the master
Para multi-BM set	Multiple Masters have been set in the parallel system	There are at least two inverters set as Master in the parallel system, please keep one Master and the other set as Slave



Data Sheet

FP-ENVY-12K

PV output data

Max. usable input current(A)	25/15/15
Max. short circuit input current(A)	31/19/19
Start input voltage(V)	100
Startup voltage(V)	140
Full power MPPT voltage range(V)	230-500
DC nominal voltage(V) MPPT tracker	360
DC voltage range(V)	100-600
MPP operating voltage range(V)	120-500
Max. power(W)	18000
Number of MPPT	3
Inputs per MPPT	2/1/1

AC Grid output data

Nominal Output Current(A)	50
Max. Output Current(A)	50
Rated voltage(V)	120/240V, 120/208V
Operating voltage range(V)	180-270
Continuous power output(W)	12000@240V, 10400@208V
Operating frequency (Hz)	50/60
Operating frequency range (Hz)	55-65
Phase shift	0,99@full load
Reactive power adjust range	-0.8~+0.8 leading Adjustable
THDI	<3%
Sync inrush current(A)	35

EPS AC output data

Nominal output current(A)	50
Nominal output voltage(V)	(120/240V), (120/208V)
Continuous output power (VA)	12000@240V, 10400@208V
Operating frequency (Hz)	60
Peak power (VA)	2xPn, 0,5s
THDV	<3%
Switching Time (ms)	<20

Efficiency

Max. Efficiency @ PV to grid	97.5%
Max. Efficiency @ battery to grid	94%
CEC Efficiency	96.9%



Battery data

Type	Lead-acid battery/Lithium battery
Max. charge current(A)	250
Max. discharge current(A)	250
Nominal voltage(V)	48
Voltage range(V)	48-56 Fortress Power Batteries
Min-Max. voltage(V)	40-60

General Data

Paralleling Capabiliy	Up to 10
Integrated disconnect	DC switch
Reverse polarity protection	Yes
DC switch rating for each MPPT	Yes
Output over-voltage protection varistor	Yes
Output over current protection	Yes
Ground fault monitoring	Yes
Grid monitoring	Yes
Pole sensitive leakage current Monitoring unit	Yes
AFCI	Yes
RSD	Yes
Dimensions(mm)	870*520*285mm (34.2*20.5*11.2inch)
Weight(kg)	55kg (121.25 lbs)
Degree of protection	NEMA4X / IP 65
Cooling concept	FAN
Topology	Transformer-less
Relative humidity	0-100%
Altitude(m)	<2000m
Operating Temperature Range (°C)	-25-60°C,>45°C Derating
Noise emission(dB)	<50dB
Idle consumption Avg,W	70W
Display	Touch color screen
Communication interface	Rs485/ Wi-Fi/ CAN
Standard warranty	10 Years



Contact Information



FORTRESS POWER

For Technical Support Please Contact us at Tech-Support Contact Information

Useful Links

• Phone:

Tech Support (877) 497-6937

Tech Support (Spanish) (215) 710-8960

• Support Tickets: <https://www.fortresspower.com/support/>

Warranty Submittal: <https://www.fortresspower.com/warranty/>

System Design Tool
SCAN HERE



Updated Documentation
SCAN HERE



<https://www.fortresspower.com/products/envy-12kw/>

Version FP-12K-MV7