

## FLEXTOWER ALL-IN-ONE WHOLE HOME ENERGY STORAGE

### All-in-One Solution

- Inverter, charge controller, LCD Control Panel, Battery and remote monitoring app integrated in one unit
- Supports Off-grid, Back-up, Zero Export, Time-of-Use, Demand Response, Peak Shaving, and Virtual Power Plant

### Flexible & Easy Install

- IP65 water and dust proof for indoor & outdoor installation. NEMA3R
- AC or DC couple to existing or new PV arrays
- Optional Rapid Shutdown Button Included
- Side knockouts sized for solar, grid, and generator wiring

### Highest Reliability for Maximal Protection

- 8000+ cycle life with tier 1 Automotive Lithium Iron Phosphate (LFP) battery
- Easily scaled to meet all large residential and commercial electricity needs

### Whole Home Backup with 200A Grid Pass-through

- 200A Pass-through eliminates backup panel requirement
- Saves time on inverter wiring
- Includes battery cables and combiner for additional savings

### Highest Roundtrip Efficiency to Maximize Your Solar Investment

- >98% Battery Efficiency
- 96.5% CEC-Rated Inverter Efficiency
- Compatible with Din-Rail Heaters to maximize lifecycles in cold climates



### APPLICATION SCENARIOS



Residential



Small Commercial



Farm



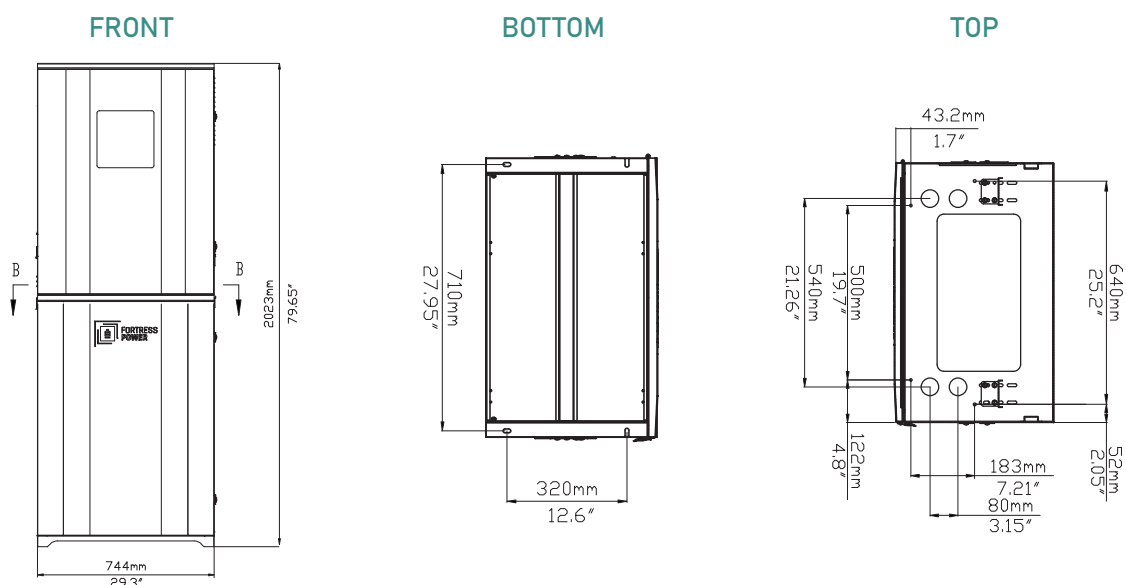
Mobile



Railway



Telecom



Model	12K	15K
<b>On Grid AC Output</b>		
Rate AC Output Power to Grid (On-Grid)	12000W (50A@240V)	15000W (62.5A@240V)
Rate AC Output Power to Load (Off-Grid)	9000W (37.5A@240V)	12000W (50A@240V)
Grid Bypass	15120W (63A@240V)	48000 (200A@240V)
Surge AC Power for 10 sec in Backup Mode	16,000W	24,000W
AC Output Voltage	120/240Vac (split phase), 208Vac (2/3 phase)	
AC Output Frequency	50/60 Hz	
Inverter CEC Efficiency	96.5% (Peak 97.5%)	
Response Time (Grid-tie to Off-Grid)	5 ms	
<b>PV Output</b>		
PV Input Power	17000W	17000W
PV Voltage Range	125-500V	
MPPT Voltage Range	150-425V	
Number of MPPT	2	3
Max Solar String per MPPT	2	2
Max DC Current per MPPT	20A	26A
Max AC coupled Input (Micro/String Inverters)	9600W	19200W
<b>Battery (48V)</b>		
Battery Cell Type	Tier 1 Automotive Prismatic Lithium Iron Phosphate	
Battery Type	eFlex 5.4	
Battery Capacity Range Scalable Capacity Range	16.2 - 81 kWh	
Voltage Range	45 - 56V	
Max Charging/Discharging Rate	185A	250A
Battery Efficiency	98%	
<b>General Data</b>		
Operation Temperature Range	32°F ~ 114°F (0°C ~ 45°C)	
IP Rating	IP65/NEMA 3R	
Enclosure Weight	265lbs (120kg)	
Dimension (W x H x D)	29.3 x 79.5 x 17.7in (744 x 2019 x 449mm)	
Cooling	Fan Cooling	
Warranty	10 years (8000 Cycles @ 80% DoD)	
Communication	Modbus, RS485, WIFI	
Certificates	UL 1741, UL 1741-SA, UL 1973, UL 9540, UL 9540 (A)	
Side Knockouts	1.5" (3), 1.25" (1), 0.75" (4)	