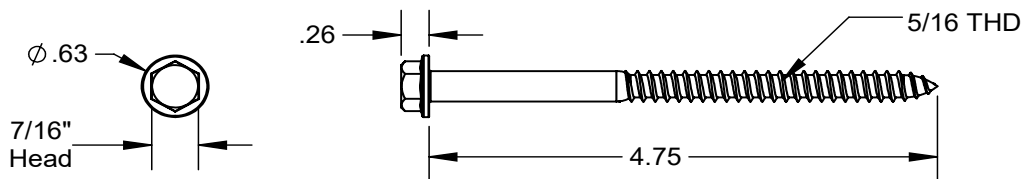


ITEM NO.	DESCRIPTION	Qty in Kit
1	BOLT LAG 5/16 X 4.75"	1
2	ASSY, FLASHING	1
3	ASSY, CAP	1
4	WASHER, EPDM BACKED	1

FLASHFOOT 2

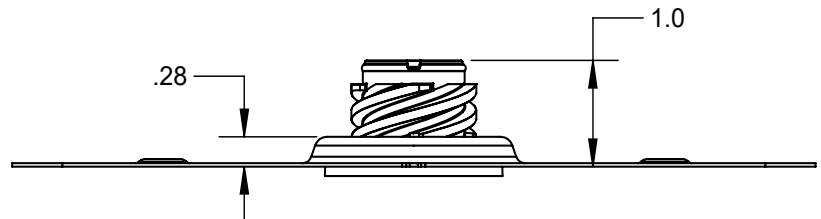
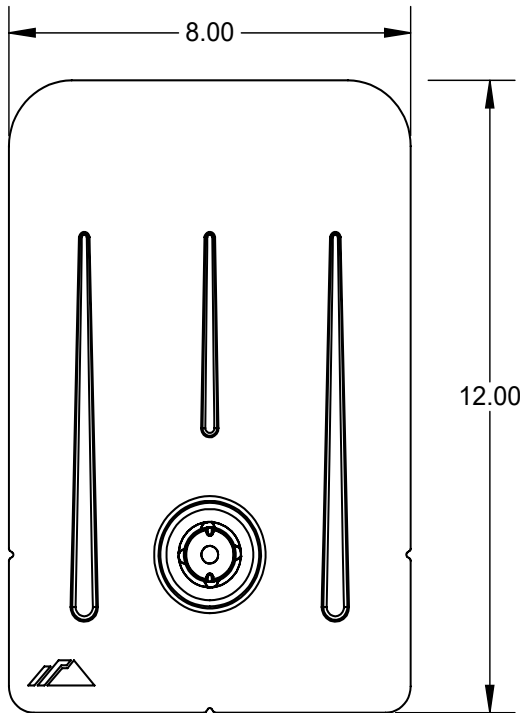
Part Number	Description
FF2-02-M2	FlashFoot2® (Mill)
FF2-02-B2	FlashFoot2® (Black)

1) Bolt, Lag 5/16 x 4.75



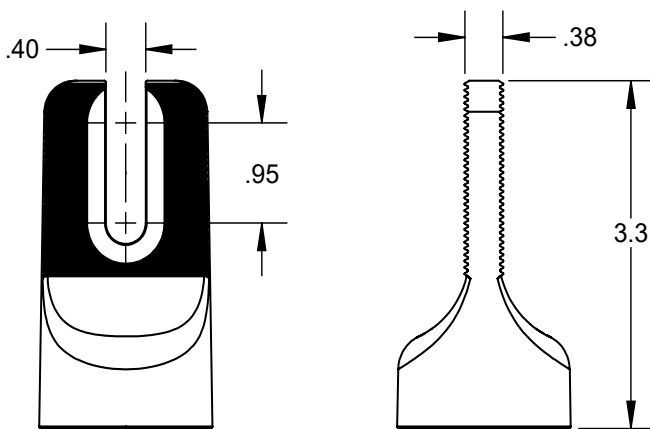
Property	Value
Material	300 Series Stainless Steel
Finish	Clear

2) Assy, Flashing



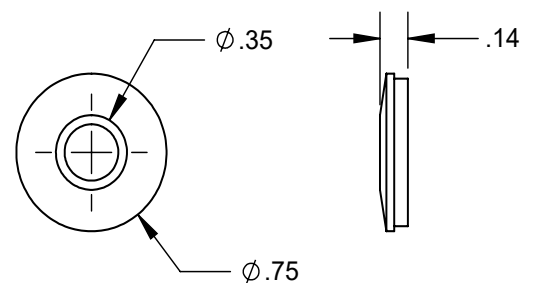
Property	Value
Material	Aluminum
Finish	Mill/Black

3) Assy, Cap



Property	Value
Material	Aluminum
Finish	Mill/Black

4) Washer, EPDM Backed



Property	Value
Material	300 Series Stainless Steel
Finish	Clear