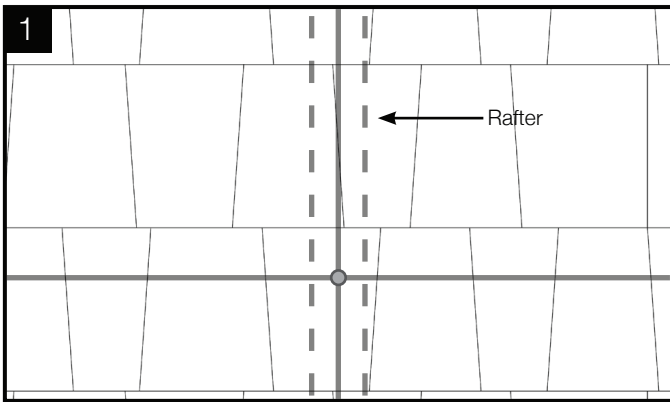


ITEM NO.	DESCRIPTION
1	FM FLASHING, MILL OR BLACK
2	GRIP CAP, MILL OR BLACK
3	LAG & BONDED WASHER, 5/16 X 4.25, 7/16 HEX HEAD

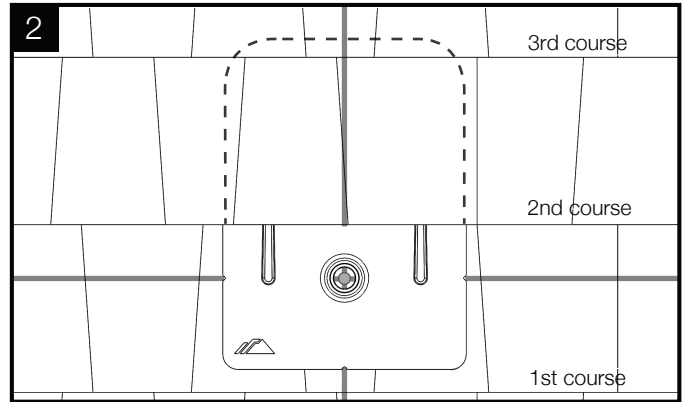
<b>FLASHVUE</b>		
SIZE <b>A</b>	DO NOT SCALE DRAWING	
SCALE: 1:4	WEIGHT: 0.6 lbs	SHEET 1 OF 1

# Installation

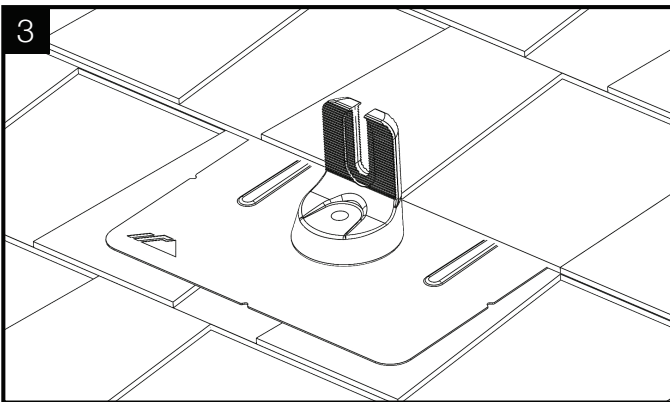
Tools Required: tape measure, chalk, approved sealing materials, driver with 1/4" bit and 7/16" hex socket



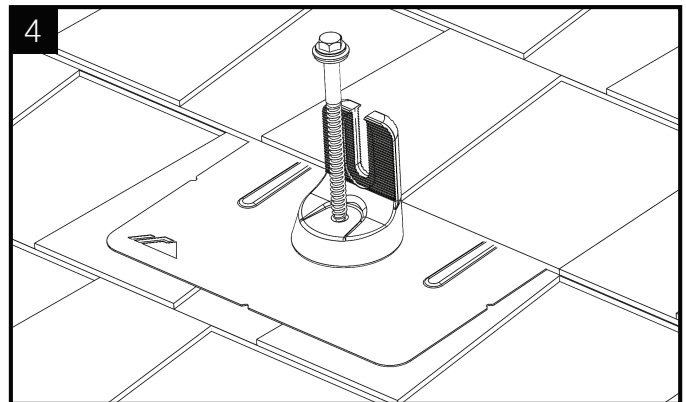
Locate rafters and snap vertical and horizontal lines to mark locations of flashings. Drill 1/4" pilot holes, then fill with roofing manufacturer's approved sealant.



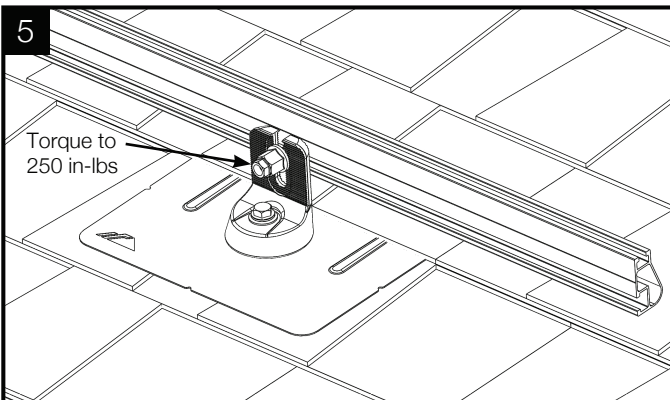
Slide flashing between 1st and 2nd course, so the top is at least 3/4" above the edge of the 3rd course and the bottom is above the edge of the 1st course. Line up pilot hole with view port.



Press Grip Cap onto flashing in desired orientation for E/W or N/S rails.



Insert lag bolt with EPDM backed washer through flashing. Tighten lag bolt until fully seated. FlashVue is now installed and ready for IronRidge XR Rails.



Attach rails to either side of the open slot using bonding hardware. Level rail at desired height, then torque to 250 in-lbs (21 ft-lbs).

## Structural Certification

Designed and Certified for Compliance with the International Building Code & ASCE/SEI-7.

## Water Seal Ratings

Water Sealing Tested to UL 441 Section 27 "Rain Test" and TAS 100(A)-95 "Wind Driven Rain Test" by Intertek. Tested and evaluated without sealant. Any roofing manufacturer approved sealant is allowed.

## UL 2703

Conforms to UL 2703 (2015) Mechanical and Bonding requirements. See Ironridge Flush Mount Installation Manual for full ratings.