

DC FUSE HOLDER

Technical Data



PV0191-1P

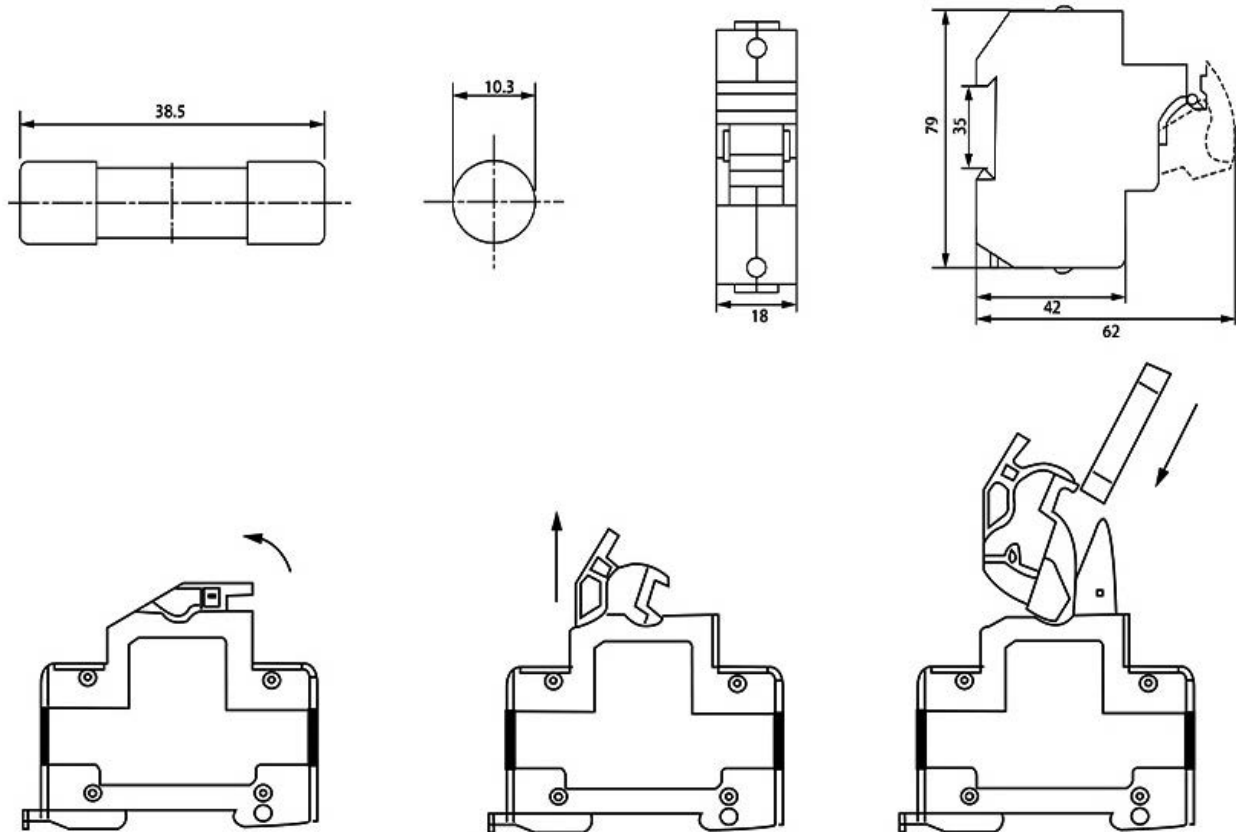
PV0191-1P-A

Pole:	1P
Fuse Link Size (mm):	10x38
Rated Voltage (V):	DC1000
Rated Current (A):	32
DIN Rail (mm):	35
Weight (g):	60~61

Material Details

Part Name	Plastic Cement	Copper
Material	PBT (V-0)	Copper

Dimension Drawing



* For more information, please contact LEADER GROUP sales team: info@leadergroup-cn.com

