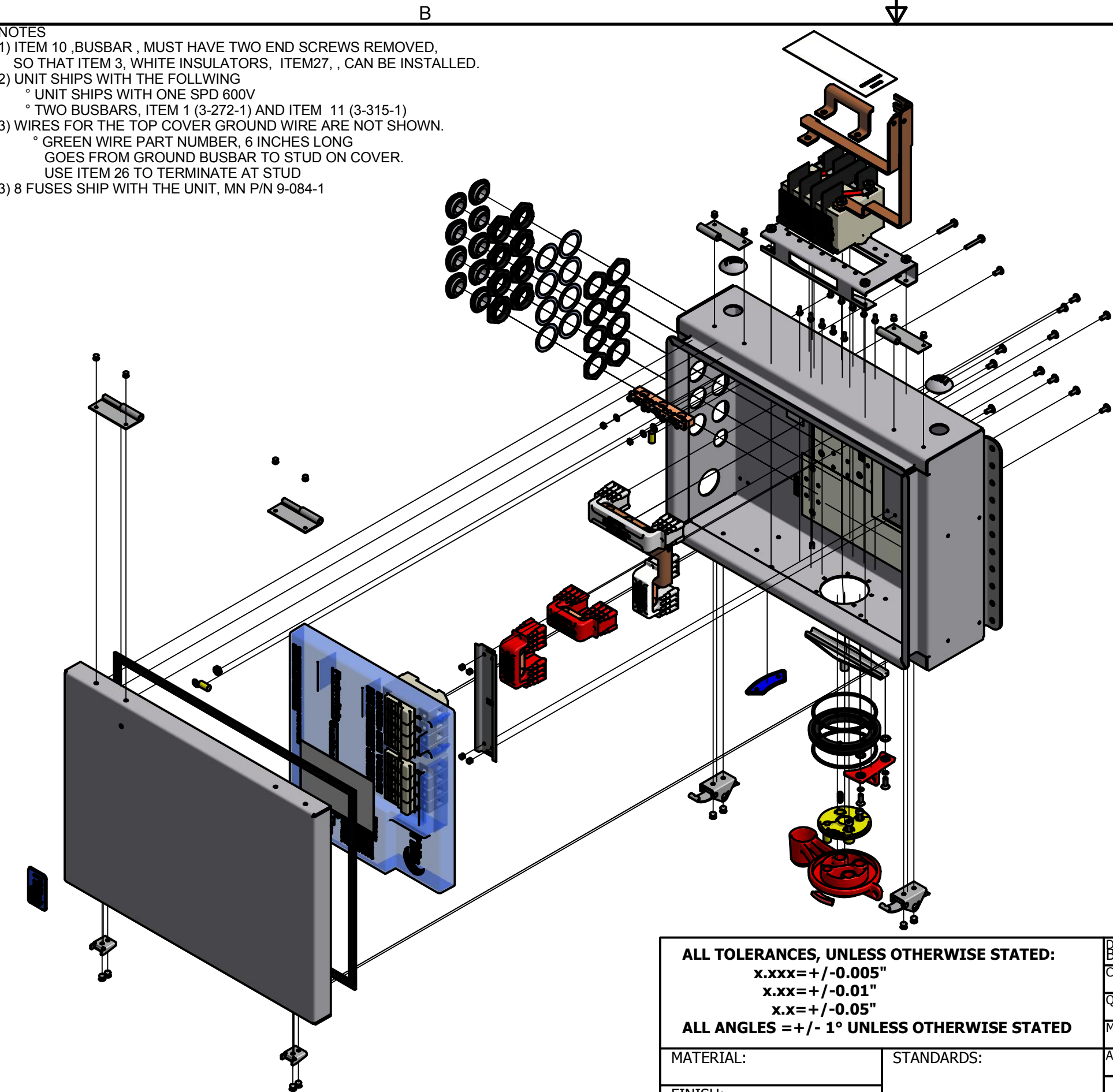


- NOTES
- ITEM 10 ,BUSBAR , MUST HAVE TWO END SCREWS REMOVED, SO THAT ITEM 3, WHITE INSULATORS, ITEM27, , CAN BE INSTALLED.
 - UNIT SHIPS WITH THE FOLLOWING
 - ° UNIT SHIPS WITH ONE SPD 600V
 - ° TWO BUSBARS, ITEM 1 (3-272-1) AND ITEM 11 (3-315-1)
 - WIRES FOR THE TOP COVER GROUND WIRE ARE NOT SHOWN.
 - ° GREEN WIRE PART NUMBER, 6 INCHES LONG GOES FROM GROUND BUSBAR TO STUD ON COVER. USE ITEM 26 TO TERMINATE AT STUD
 - 8 FUSES SHIP WITH THE UNIT, MN P/N 9-084-1

REVISION HISTORY			
REV.	DESCRIPTION OF CHANGE	DATE	SIGN
A	DESIGN RELEASE	12/2/11	RAQ
B	SEPARATED DIN RAIL HAT FROM CHASSIS REPLACED REAR PANEL SCREWS WITH SEAL SCREWS ADDED O-RINGS TO LOCK SCREWS ADDED HEAT SHRINK TO BREAKERS	12/27/11	RAQ



PARTS LIST			
ITEM	QTY	PART NUMBER	DESCRIPTION
1	1	3-272-1 REV A MNPV8HV DISCO 3R BUSBAR NEGOUT	3-272-1 REV A MNPV8HV DISCO 3R BUSBAR NEGOUT
2	1	3-274-1 REV A MNPV8HV DISCO 3R BUSBAR PLOUT	3-274-1 REV A MNPV8HV DISCO 3R BUSBAR PLOUT
3	1	3-271-1 REV A MNPV8HV DISCO 3R BUSBAR IN2	3-271-1 REV A MNPV8HV DISCO 3R BUSBAR IN2
4	1	3-270-1 REV A MNPV8HV DISCO 3R BUSBAR IN	3-270-1 REV A MNPV8HV DISCO 3R BUSBAR IN
5	1	3-297-1 REV A MNPV8HV DISCO 3R BUSBAR DISPAR	3-297-1 REV A MNPV8HV DISCO 3R BUSBAR DISPAR
6	1	3-273-1 REV A MNPV8HV DISCO 3R BUSBAR NEGP	3-273-1 REV A MNPV8HV DISCO 3R BUSBAR NEGP
7	1	3-224-1 REV B MNPV6 LOCK BASE	3-224-1 REV B MNPV6 LOCK BASE
8	1	5-057-1 REV D MNPV6 DISCO SEALING RING	5-057-1 REV D MNPV6 DISCO SEALING RING
9	8	9-083-1 FUSE HOLDER	9-083-1 FUSE HOLDER
10	1	9-291-9 P1 MNXX BUSBAR 9 POSITION 2-0	9-291-9 P1 MNXX BUSBAR 9 POSITION 2-0
11	1	3-315-1 REV A MNPV8HV DISCO 3R BUSBAR OUT2	3-315-1 REV A MNPV8HV DISCO 3R BUSBAR OUT2
12	1	5-112-1 REV A MNPV8HV DISCO DEAD FRONT	5-112-1 REV B MNPV8HV DISCO DEAD FRONT
14	1	3-277-10 REV C MNPV8HV DISCO 4X CHASSIS	3-277-10 REV C MNPV8HV DISCO 4X CHASSIS
15	1	5-053-1 REV B MNPV6 DISCO LABEL	5-053-1 REV A MNPV6 DISCO LABEL
16	1	3-275-1 REV A MNPV8HV DISCO DIN RAIL	3-275-1 REV A MNPV8HV DISCO DIN RAIL
17	1	3-245-1 P3 MNPV24 DISCO BRACKET CX7	3-245-1 P3 MNPV24 DISCO BRACKET CX7
18	1	8-037-10 REV A MNPV POWER SUPPLY PCBA	8-037-10 REV A MNPV POWER SUPPLY PCBA
19	1	3-225-1 REV C MNPV6 STOP	3-225-1 REV C MNPV6 STOP
20	1	3-278-1 REV A MNPV8HV DISCO 4X DOOR	3-278-1 REV A MNPV8HV DISCO 4X DOOR
21	2	9-309-1 SOUTHCO 96-04-SIWL NO PIN	9-309-1 SOUTHCO 96-04-SIWL NO PIN
22	2	9-309-1 SOUTHCO 96-04-SIWL WITH PIN	9-309-1 SOUTHCO 96-04-SIWL WITH PIN
23	1	5-029-1 REV A BADGE 2	5-029-1 REV A BADGE 2
24	2	6-096-1 SOUTHCO 97-50-310-12 ASSY	6-096-1 SOUTHCO 97-50-310-12 ASSY
25	2	6-095-1 SOUTHCO 97-37-24 KEEPER	6-095-1 SOUTHCO 97-37-24 KEEPER
26	1	5-048-1 REV B MNPV6 DISCO HANDLE	5-048-1 REV B MNPV6 DISCO HANDLE
27	4	5-047-2 REV A MN INSULATOR WHITE 2-0	5-047-2 REV A MN INSULATOR WHITE 2-0
28	4	5-047-3 REV A MN INSULATOR RED 2-0	5-047-3 REV A MN INSULATOR RED 2-0
29	1	5-102-1 REV A MNXX DISCO ADAPTOR PLATE	5-102-1 REV A MNXX DISCO ADAPTOR PLATE
30	1	5-135-1 P1 MNPV24 GRABBER CX-7	5-135-1 P1 MNPV24 GRABBER CX-7
31	11	5-107-1 REV A HALF INCH HOLE PLUG	5-107-1 REV A HALF INCH HOLE PLUG
32	8	5-118-1 REV B MNXX CONDUIT ADAPTER	5-118-1 REV B MNXX CONDUIT ADAPTER
33	8	5-119-1 REV A MNXX CONDUIT ADAPTOR NUT	5-119-1 REV A MNXX CONDUIT ADAPTOR NUT
34	8	5-126-1 REV B MNXX CONDUIT ADAPTOR GASKET	5-126-1 REV B MNXX CONDUIT ADAPTOR GASKET
35	2	5-114-3 REV B MNXX BUSBAR GUARD 2-0 6 POSITION	5-114-3 REV B MNXX BUSBAR GUARD 2-0 6 POSITION
36	1	5-114-2 REV B MNXX WHITE BUSBAR GUARD 2-0 6 POSITION	5-114-2 REV B MNXX WHITE BUSBAR GUARD 2-0 6 POSITION
37	1	5-122-2 REV B MNXX WHITE BUSBAR GUARD 2-0 9	5-122-2 REV B MNXX WHITE BUSBAR GUARD 2-0 9
38	1	5-131-1 REV A MNPV8HV DISCO INSULATOR	5-131-1 REV A MNPV8HV DISCO INSULATOR
39	1	9-325-1 CARLING CX-5 ASSY	9-325-1 CARLING CX-5 ASSY
40	3	9-225-1 5 BUSBAR POSITION 2-0	9-225-1 5 BUSBAR POSITION 2-0
41	1	9-292-1 CAL FASTENER SCB250 2-0	9-292-1 CAL FASTENER SCB250 2-0
42	8	9-084-1 15 AMP FUSE	9-084-1 15 AMP FUSE
43	2	9-281-1 O-RINGS EPDM AS568B-150	9-281-1 O-RINGS EPDM AS568B-150
44	2	9-282-1 O-RINGS, EPDM AS568B-011	9-282-1 O-RINGS, EPDM AS568B-011
45	2	6-045-1 SCREW 10-32 X .50 PHP SS	6-045-1 SCREW 10-32 X .50 PHP SS
46	10	6-060-1 SCREW 6-32 X5 .16 MS PHP	6-060-1 SCREW 6-32 X5 .16 MS PHP
48	2	6-151-1 SEELSCREW 8-32 X 1.0 PHP SS	6-151-1 SEELSCREW 8-32 X 1.0 PHP SS
49	2	6-091-1 SCREW 10-32 X .375 FHP SMS SS	6-091-1 SCREW 10-32 X .375 FHP SMS SS
50	8	9-342-1 HANSON ADS4AH SEALED RIVET 5-32	9-342-1 HANSON ADS4AH SEALED RIVET 5-32
51	1	9-378-1 CENTURY SPRING	9-378-1 CENTURY SPRING
52	8	9-343-1 AB4-2A SOLID RIVET 1-8	9-343-1 AB4-2A SOLID RIVET 1-8
53	2	9-377-1 MOLEX 12-10 AWG, NO.10	9-377-1 MOLEX 12-10 AWG, NO.10
54	5	6-016-1 KEPS NUT 10-32 SS	6-016-1 KEPS NUT 10-32 SS
55	2	8-116-1 NO.8 INTERNAL LOCK WASHWER	8-116-1 NO.8 INTERNAL LOCK WASHWER
56	2	6-113-1 8-32 NUT SS	6-113-1 SMALL PATTERN 8-32 NUT SS
57	1	9-334-1 MNPV8HV DISCO FOAM TAPE	9-334-1 MNPV8HV DISCO FOAM TAPE
58	1	10-066-1 B DIAGRAM	10-066-1 B DIAGRAM
59	1	10-066-1A CAUTION LABEL	10-066-1A CAUTION LABEL
60	1	10-066-1H GND	10-066-1H GND
61	1	10-008-1-J PV PLUS OUT	10-008-1-J PV PLUS OUT
62	2	10-008-1-E PV NEGATIVE	10-008-1-E PV NEGATIVE
63	1	10-066-1-C TORQUE	10-066-1-C TORQUE
64	4	6-049-1 .125 IN. DIA. BY .25 IN. LONG AL. RIVET	6-049-1 .125 IN. DIA. BY .25 IN. LONG AL. RIVET
65	2	9-382-1 RED HEAT SHRINK	1.2 INCHES
66	1	3-267-10 REV A MNPV8HV DISCO DIN RAIL HAT	3-267-10 REV A MNPV8HV DISCO DIN RAIL HAT
67	12	6-144-1 SEELSCREW 10-32 X.375 PHPSS	6-144-1 SEELSCREW 10-32 X.375 PHPSS
68	2	6-143-1 O-RING SILICONE 1.5MM X 4.0 MM	6-143-1 O-RING SILICONE 1.5MM X 4.0 MM

ALL TOLERANCES, UNLESS OTHERWISE STATED: x.xxx= +/-0.005" x.xx= +/-0.01" x.x= +/-0.05" ALL ANGLES = +/- 1° UNLESS OTHERWISE STATED		DRAWN Bob Q	12/27/2011
MATERIAL:		CHECKED	
FINISH:		QA	
PROCESS:		MFG	
STANDARDS:		APPROVED	

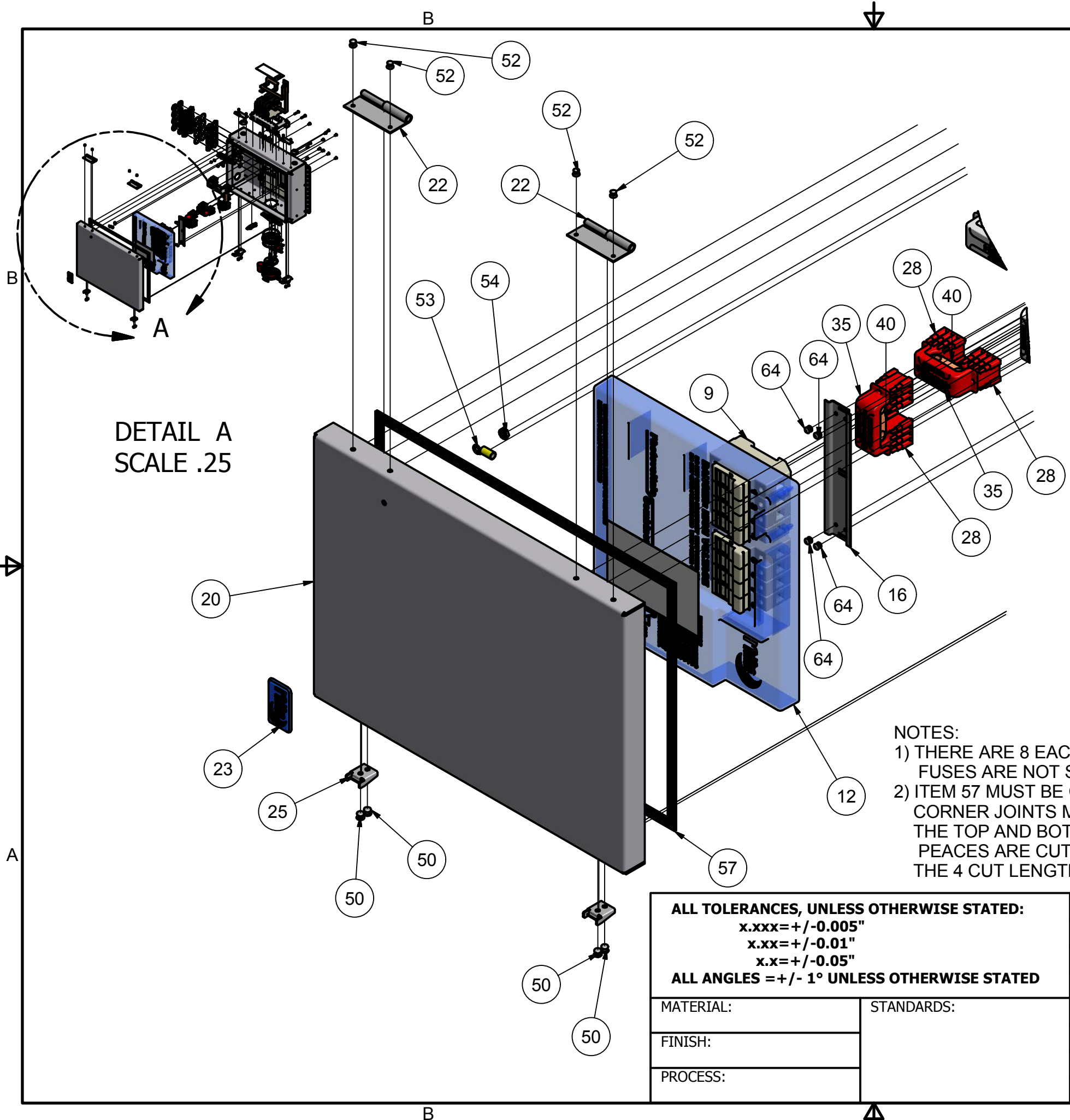
MIDNITE SOLAR, INC

MNPV8HV REV B DISCO 4X

SIZE B	PROJECT: MNPV8HV DISCO 4X	DWG NO MNPV8HV REV B DISCO 4X	REV B
-----------	------------------------------	----------------------------------	----------

E-FILE: MNPV8HV REV B DISCO 4X.iam SHEET 1 OF 6

REVISION HISTORY			
REV.	DESCRIPTION OF CHANGE	DATE	SIGN

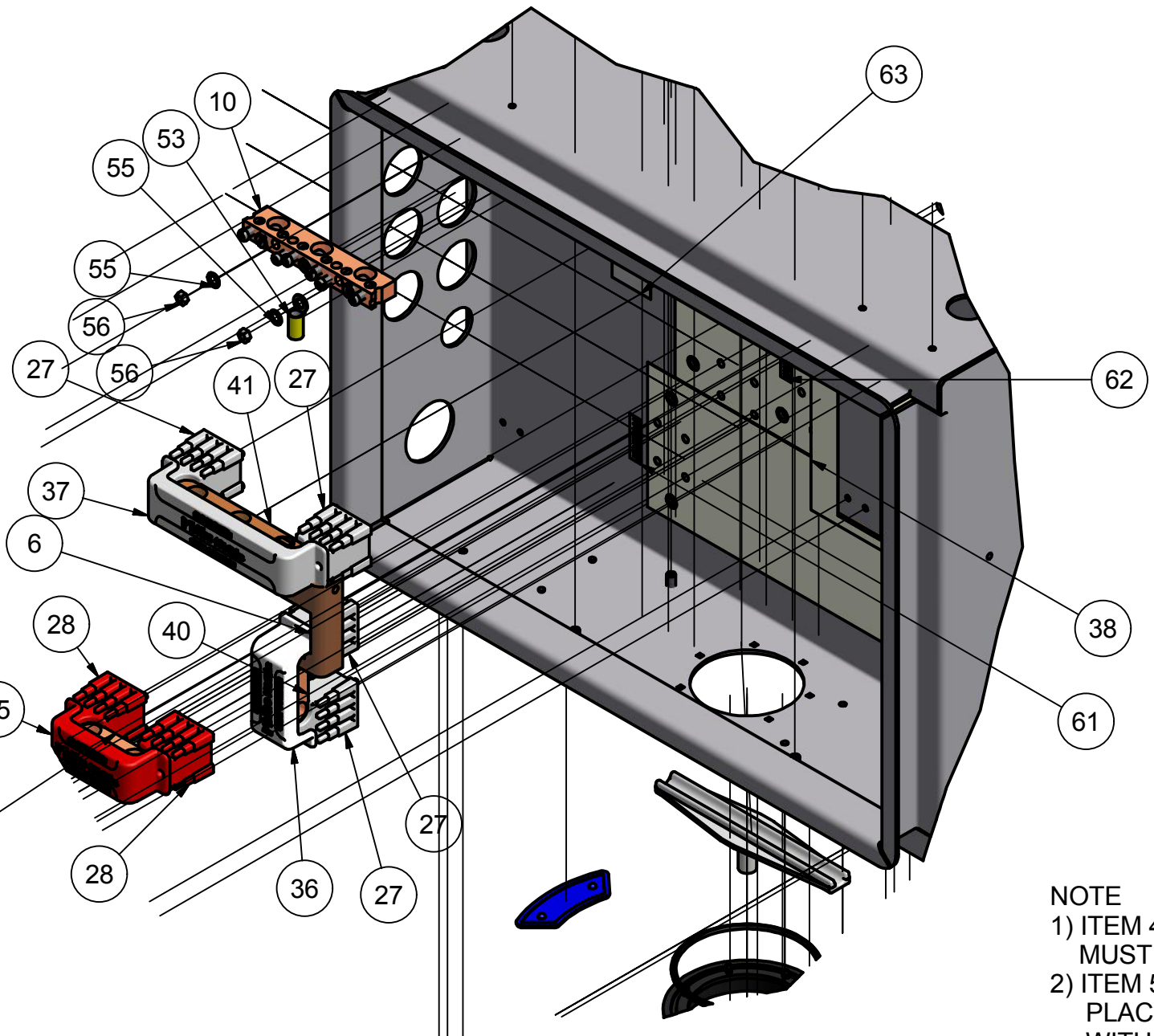
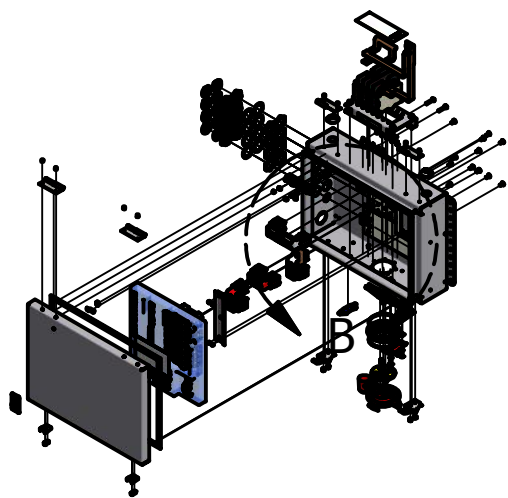


DETAIL A
SCALE .25

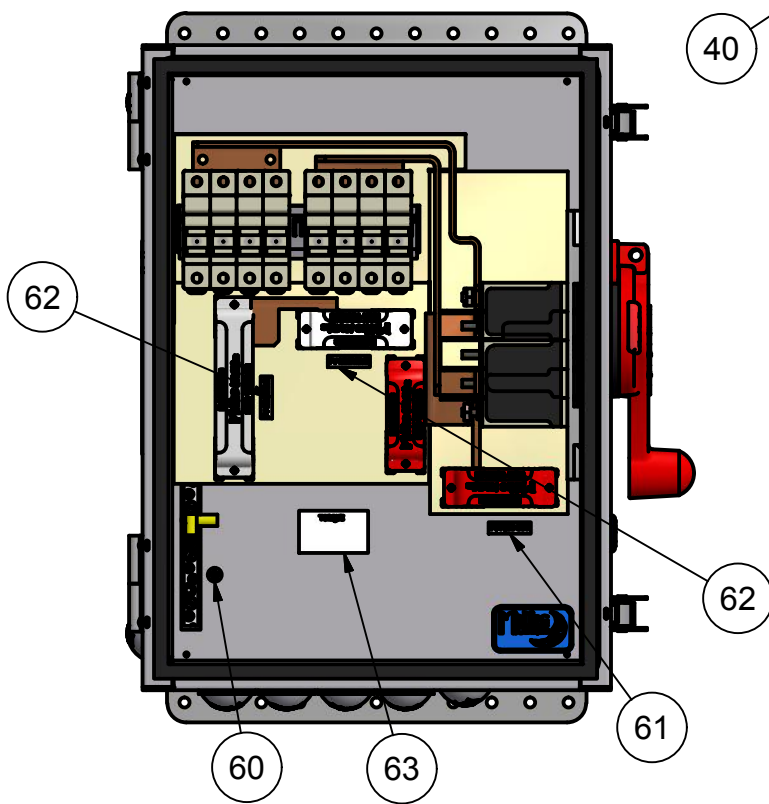
- NOTES:
- 1) THERE ARE 8 EACH OF ITEM 9 AND FUSES (ITEM 42), FUSES ARE NOT SHOWN IN VIEW.
 - 2) ITEM 57 MUST BE CUT TO LENGTH AND ADHERED TO THE TOP COVER. CORNER JOINTS MUST BUTT SQUARELY TO PREVENT WATER LEAKS. THE TOP AND BOTTOM PEACE ARE CUT FULL LENGTH AND THE SIDE PEACES ARE CUT TO FIT BETWEEN THEM. THE 4 CUT LENGTHS MUST BE SPACED .22" IN FROM THE TOP COVER SIDE WALLS.

ALL TOLERANCES, UNLESS OTHERWISE STATED: x.xxx=+/-0.005" x.xx=+/-0.01" x.x=+/-0.05"		DRAWN Bob Q	12/27/2011								
ALL ANGLES = +/- 1° UNLESS OTHERWISE STATED		CHECKED									
MATERIAL:		QA									
FINISH:		MFG		TITLE MNPV8HV REV B DISCO 4X							
PROCESS:		APPROVED									
STANDARDS:		<table border="1"> <tr> <td>SIZE</td> <td>PROJECT:</td> <td>DWG NO</td> <td>REV</td> </tr> <tr> <td>B</td> <td>MNPV8HV DISCO 4X</td> <td>MNPV8HV REV B DISCO 4X</td> <td>B</td> </tr> </table>		SIZE	PROJECT:	DWG NO	REV	B	MNPV8HV DISCO 4X	MNPV8HV REV B DISCO 4X	B
SIZE	PROJECT:	DWG NO	REV								
B	MNPV8HV DISCO 4X	MNPV8HV REV B DISCO 4X	B								
E-FILE:MNPV8HV REV B DISCO 4X.iam			SHEET 2 OF 6								

REVISION HISTORY			
REV.	DESCRIPTION OF CHANGE	DATE	SIGN



DETAIL B
SCALE .32



NOTE
 1) ITEM 41 HAS TWO OUTSIDE SCREWS WHICH MUST BE REMOVED TO INSTALL ITEM 27.
 2) ITEM 53 ISN'T INSTALLED BUT IS PLACED IN A PLASTIC BAG WHICH SHIPS WITH THE UNIT.

ALL TOLERANCES, UNLESS OTHERWISE STATED: x.xxx=+/-0.005" x.xx=+/-0.01" x.x=+/-0.05" ALL ANGLES =+/- 1° UNLESS OTHERWISE STATED		DRAWN Bob Q	12/27/2011
MATERIAL:		CHECKED	
FINISH:		QA	
PROCESS:		MFG	
STANDARDS:		APPROVED	

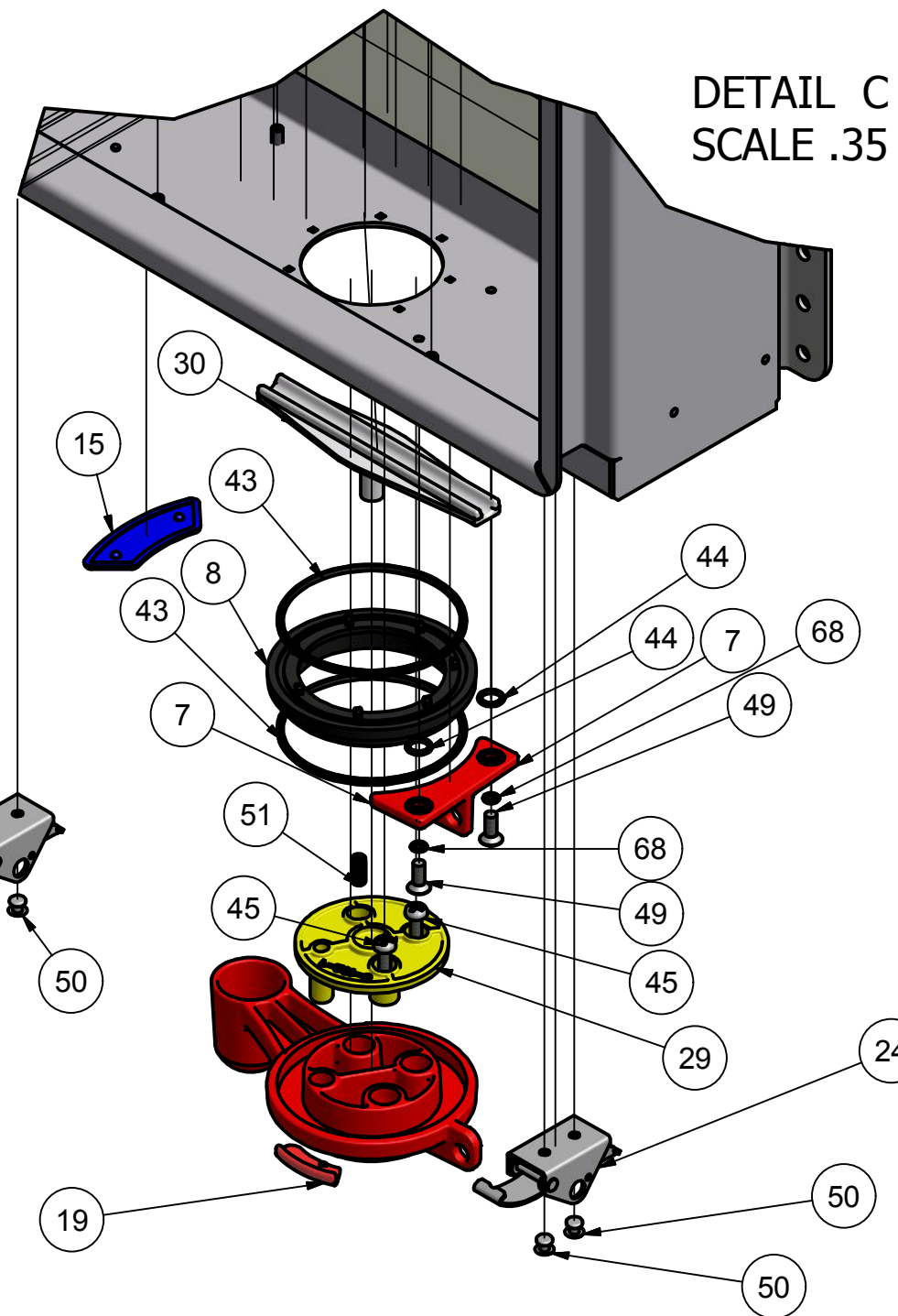
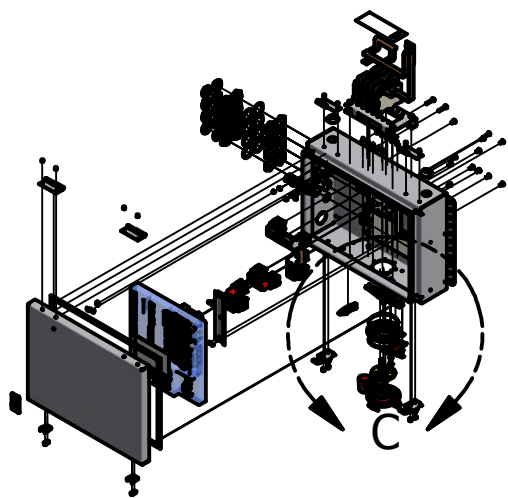
MIDNITE SOLAR, INC

TITLE
MNPV8HV REV B DISCO 4X

SIZE B	PROJECT: MNPV8HV DISCO 4X	DWG NO MNPV8HV REV B DISCO 4X	REV B
-----------	------------------------------	----------------------------------	----------

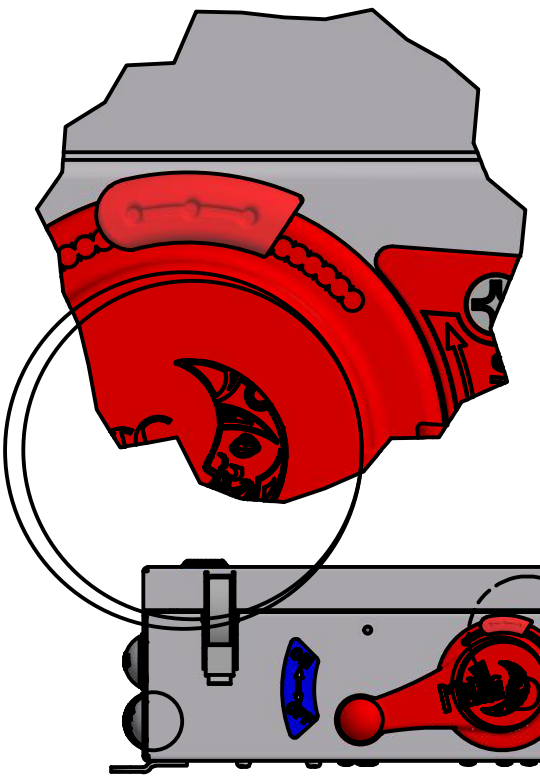
E-FILE:MNPV8HV REV B DISCO 4X.iam SHEET 3 OF 6

REVISION HISTORY			
REV.	DESCRIPTION OF CHANGE	DATE	SIGN



DETAIL C
SCALE .35

DETAIL D
SCALE .8



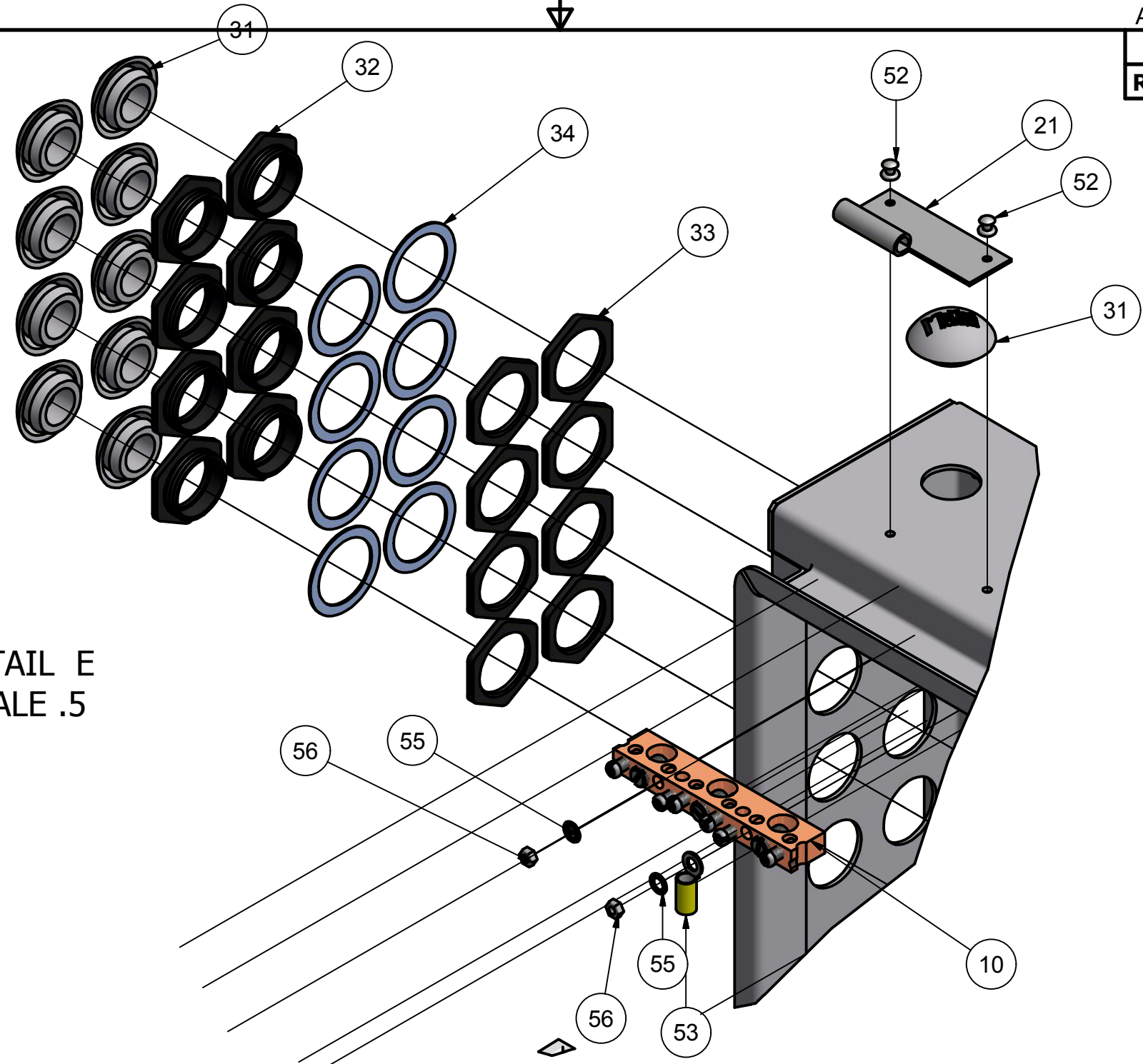
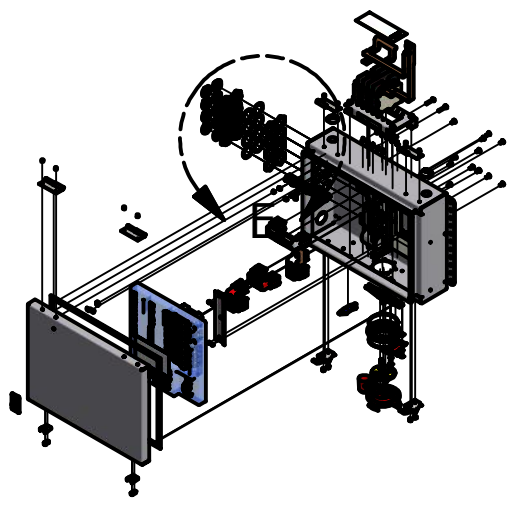
- ASSEMBLY INSTRUCTIONS:
- 1) LIBERALLY APPLY DOW CORNING 111 GREASE TO ITEMS 43 AND 44.
 - 2) APPLY LOCTITE 242 TO THREADS OF ITEM 45 BEFORE INSTALLATION
 - 3) TIGHTEN ITEM 45 UNTIL THE SCREWS BOTTOM OUT, THEN BACK OUT 1/2 TURN. VERIFY THAT THE HANDLE TURNS WITH A SLIGHT RESISTANCE BEFORE MOVING FORWARD WITH THE ASSEMBLY.
 - 4) APPLY LOCTITE SUPER GLUE 401 TO ITEM 19.
 - 5) SEE DETAILED VIEW "D" FOR POSITION OF ITEM 14 IN RELATION TO HOLES IN ITEM 9.
 - 6) APPLY CLEAR SILICONE SEALER (GENERAL ELECTRIC GEO12A) TO THREADS OF ITEM 49 BEFORE AND AFTER INSTALLATION.

ALL TOLERANCES, UNLESS OTHERWISE STATED: x.xxx=+/-0.005" x.xx=+/-0.01" x.x=+/-0.05" ALL ANGLES =+/- 1° UNLESS OTHERWISE STATED	
MATERIAL:	STANDARDS:
FINISH:	
PROCESS:	

DRAWN Bob Q	12/27/2011
CHECKED	
QA	
MFG	
APPROVED	


TITLE MNPV8HV REV B DISCO 4X			
SIZE B	PROJECT: MNPV8HV DISCO 4X	DWG NO MNPV8HV REV B DISCO 4X	REV B
E-FILE:MNPV8HV REV B DISCO 4X.iam			SHEET 4 OF 6

REVISION HISTORY			
REV.	DESCRIPTION OF CHANGE	DATE	SIGN



DETAIL E
SCALE .5

ALL TOLERANCES, UNLESS OTHERWISE STATED: x.xxx= +/-0.005" x.xx= +/-0.01" x.x= +/-0.05"		DRAWN Bob Q	12/27/2011
ALL ANGLES = +/- 1° UNLESS OTHERWISE STATED		CHECKED	
MATERIAL:	STANDARDS:	QA	
FINISH:		MFG	
PROCESS:		APPROVED	

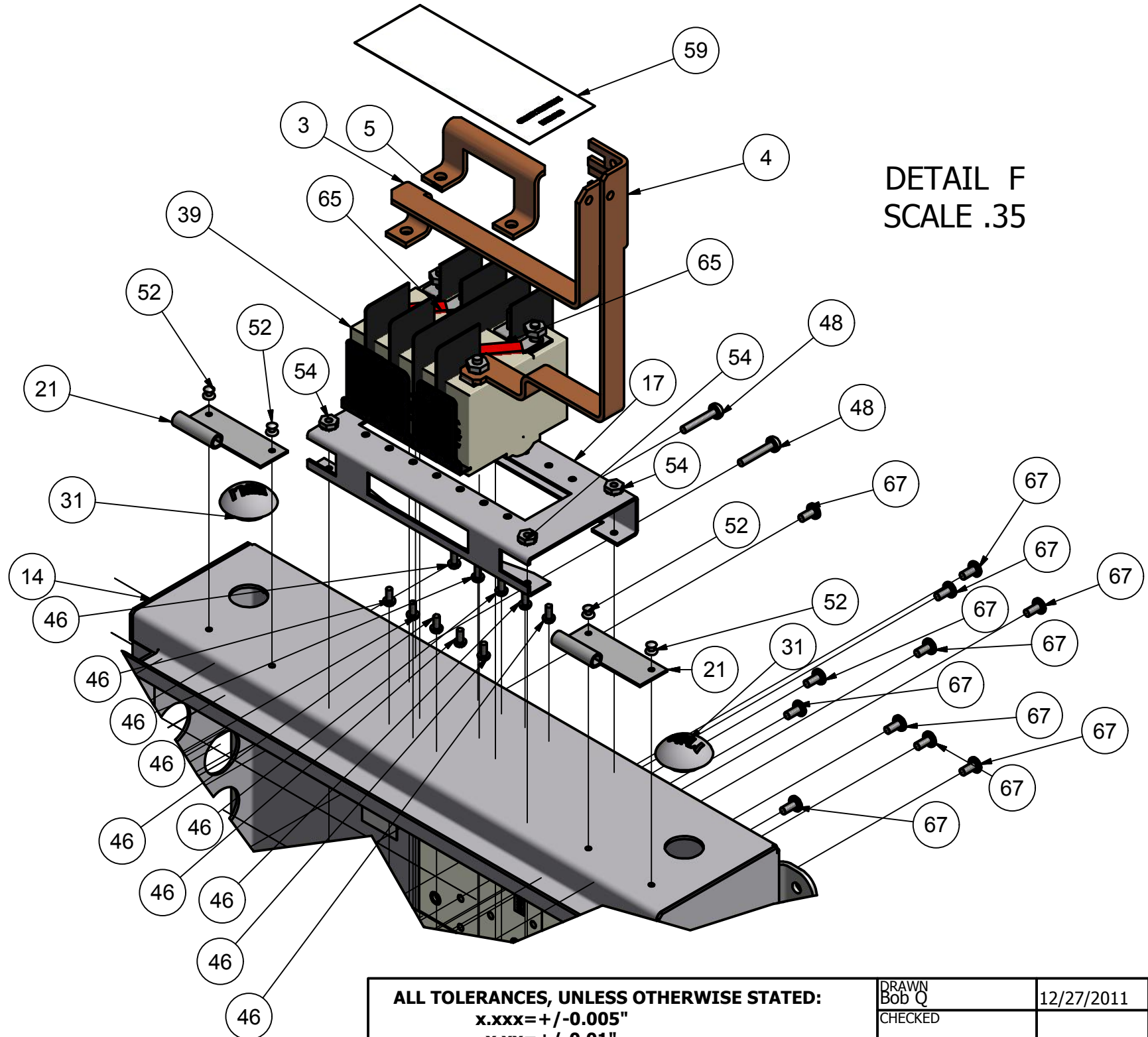
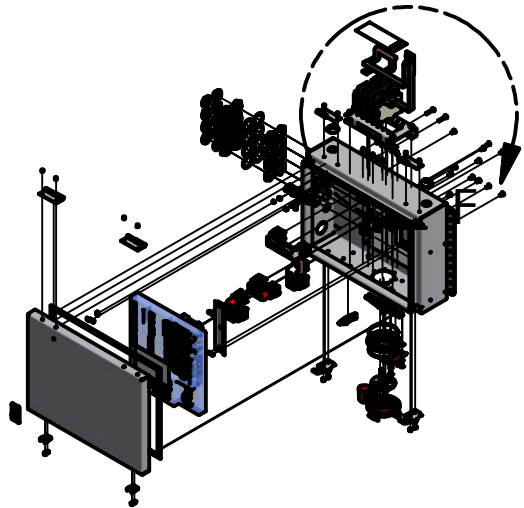
MIDNITE SOLAR, INC 

TITLE
MNPV8HV REV B DISCO
4X

SIZE B	PROJECT: MNPV8HV DISCO 4X	DWG NO MNPV8HV REV B DISCO 4X	REV B
-----------	------------------------------	----------------------------------	----------

E-FILE: MNPV8HV REV B DISCO 4X.iam SHEET 5 OF 6

REVISION HISTORY			
REV.	DESCRIPTION OF CHANGE	DATE	SIGN



DETAIL F
SCALE .35

ALL TOLERANCES, UNLESS OTHERWISE STATED: x.xxx=+/-0.005" x.xx=+/-0.01" x.x=+/-0.05"		DRAWN Bob Q	12/27/2011
ALL ANGLES = +/- 1° UNLESS OTHERWISE STATED		CHECKED	
MATERIAL:	STANDARDS:	QA	
FINISH:		MFG	
PROCESS:		APPROVED	

TITLE MNPV8HV REV B DISCO 4X			
SIZE B	PROJECT: MNPV8HV DISCO 4X	DWG NO MNPV8HV REV B DISCO 4X	REV B
E-FILE:MNPV8HV REV B DISCO 4X.iam			SHEET 6 OF 6