

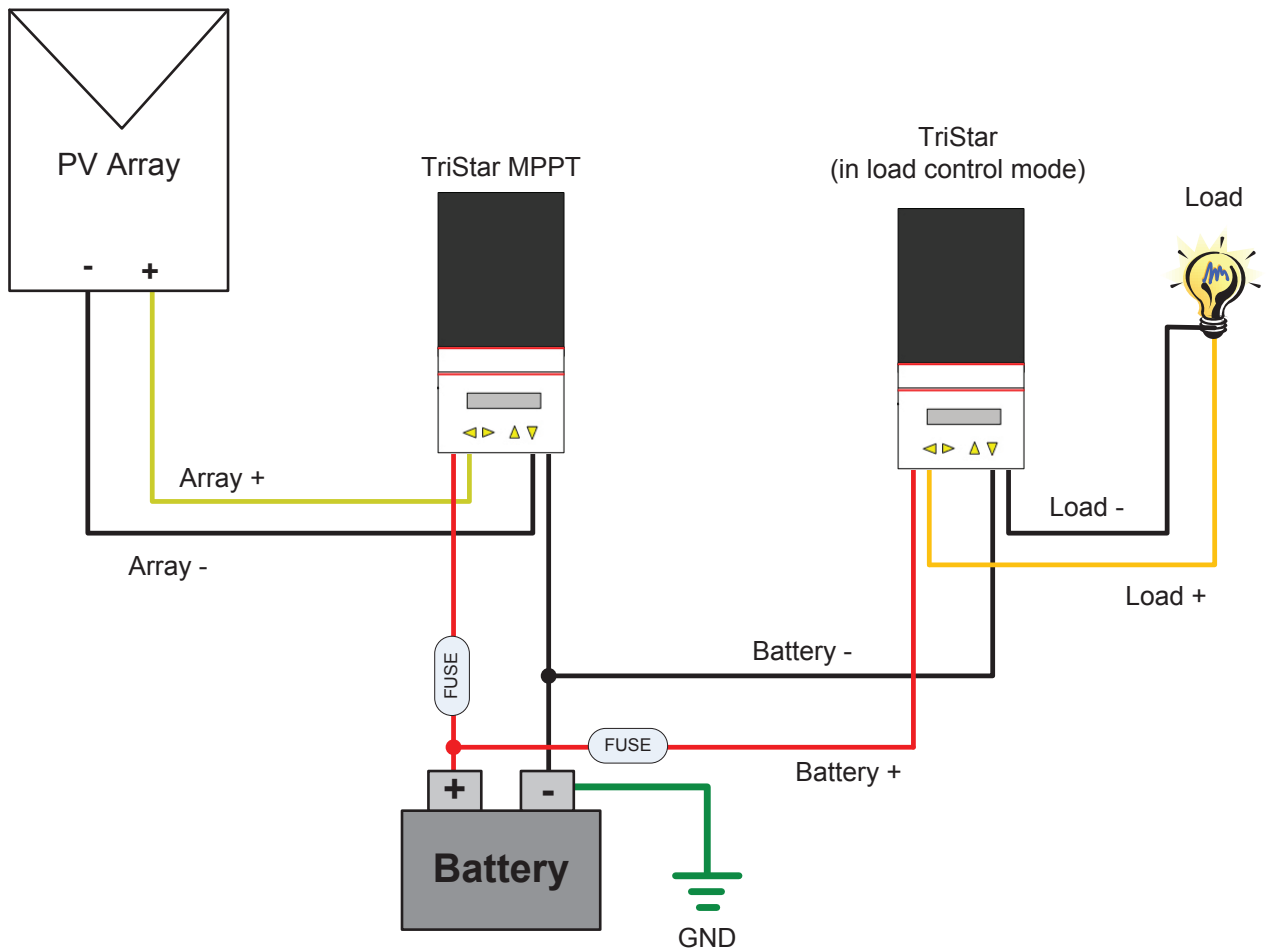
DIAGRAM: TSMPPPT / TS

TSMPPPT Charge + TS Load

v01

Abstract:

This diagram shows an example system including a TriStar MPPT performing charging functionality and a TriStar performing Load Control functionality.



IMPORTANT: This is not intended to be a complete system diagram; fusing, disconnects, and grounding should comply with local electric codes.

Notes:

- The TriStar MPPT provides all charge control to the system.
- The TriStar provides load control to acceptable DC loads.
- DO NOT wire inverters, pumps, motors, or compressors to the Load +/- connections of the TriStar.
- For detailed installation information, please consult the respective product manuals (TriStar MPPT, TriStar).