

**MORNINGSTAR RAIL  
CURRENT-MONITORING ACCESSORY**

## Quick Start Guide

RB-SHUNT RB-SHUNT-KIT-500

**INCLUDES: ReadyShunt; (2) lengths of 3-meter twisted-pair signal wire with spade terminals for shunt-side connection.**



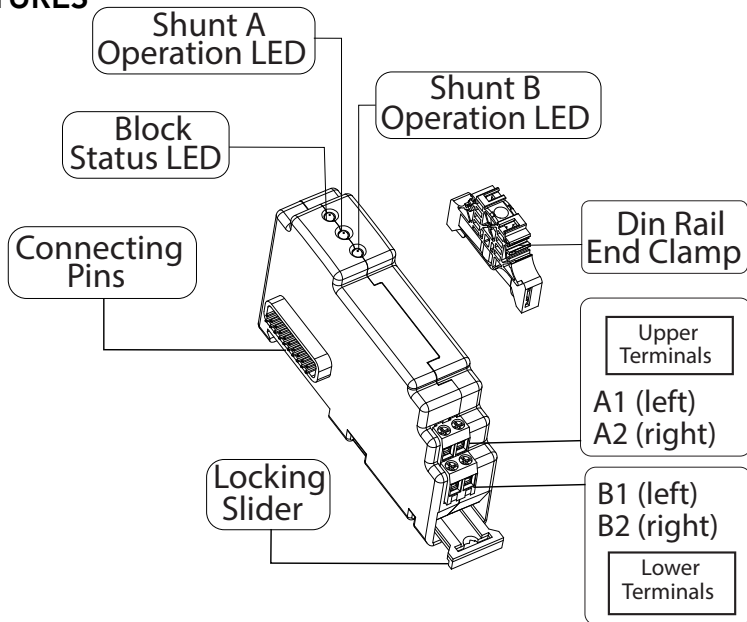
Contact Information:  
www.morningstarcorp.com  
Phone: 1-215-321-4457

### IMPORTANT SAFETY INFORMATION:

**WARNING: Shock Hazard**  
The Morningstar ReadyShunt must be installed by a qualified technician in accordance with the electrical regulations of the installation location.

**WARNING: Shock Hazard**  
Disconnect all power sources to the host and all other connected devices before working with ReadyShunt wiring. Do not install or remove a ReadyShunt while the host device is powered ON.

### FEATURES



Secure blocks to DIN Rail with cover, clamp or other means provided with host device

**CAUTIONS: Equipment Damage and Accuracy**  
When installing two shunts: Limit voltage drop between them to less than 1.5V, or damage can result; both-all shunts must be in either the positive or negative wiring leg; for accuracy, limit the voltage drop in the wiring between shunts to less than 300mV.

**CAUTION: Equipment Damage**  
Incorrect wiring, installation or configuration may result in damage to devices and/or other system components.

**CAUTION:** This guide must be used with the full product manual that includes important information. Carefully read the Ready Shunt product manual for all specifications, safety, regulatory and warranty information, and for all required instructions on installation procedures, configuration, and operation.

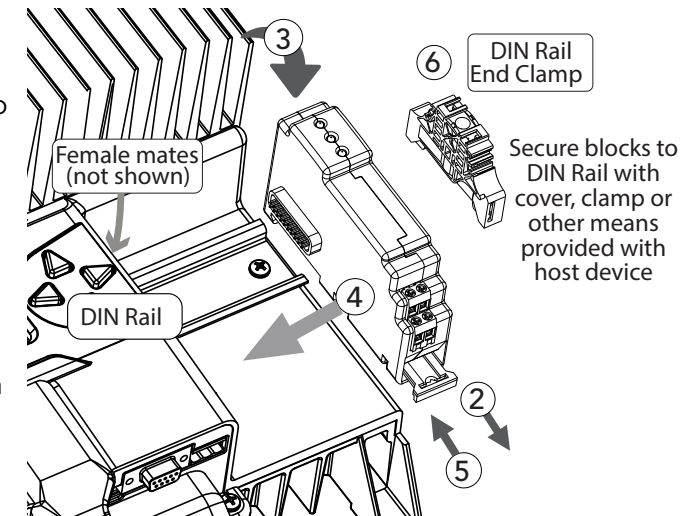
Scan QR Code to view full online manual



The ReadyShunt requires a Morningstar ReadyRail™-enabled host device, e.g., GenStar controller or ReadyEdge to provide a mounting surface, power, and programming capability.

### MOUNTING - refer to right-hand illustration

- 1) Power OFF host device;
- 2) Pull yellow slider out;
- 3) Fit Block slot downward onto DIN Rail;
- 4) Slide the Block to the left, **but before** joining the male and female mates, be sure that pin guards and pins are lined up correctly. **Carefully** slide the Block farther to the left to securely join the Block pins with host-device female mates;
- 5) Push yellow slider in, to secure Block on rail;
- 6) Secure Block(s) to DIN rail with cover, clamp, or other means provided with host device.



**CONFIGURATION** - first connect the battery to the host device to power host device-shunt block system

ReadyShunt settings are adjusted in the host device's Morningstar LiveView Web Page. Refer to the Morningstar Website ReadyShunt full manual for details on how to connect to LiveView and access Installer Setup.

**WARNING:** Take great care to correctly configure or re-configure the ReadyShunt to match the installed shunt(s). Any deviation in ratings etc., e.g., Amps, Millivolts, polarity, branch type can cause severe battery damage.

**CAUTION:** Configure the ReadyShunt in the Morningstar LiveView webpage, **FIRST**, before wiring the ReadyShunt.

See important warnings and settings topics in full manual Configuration Section.

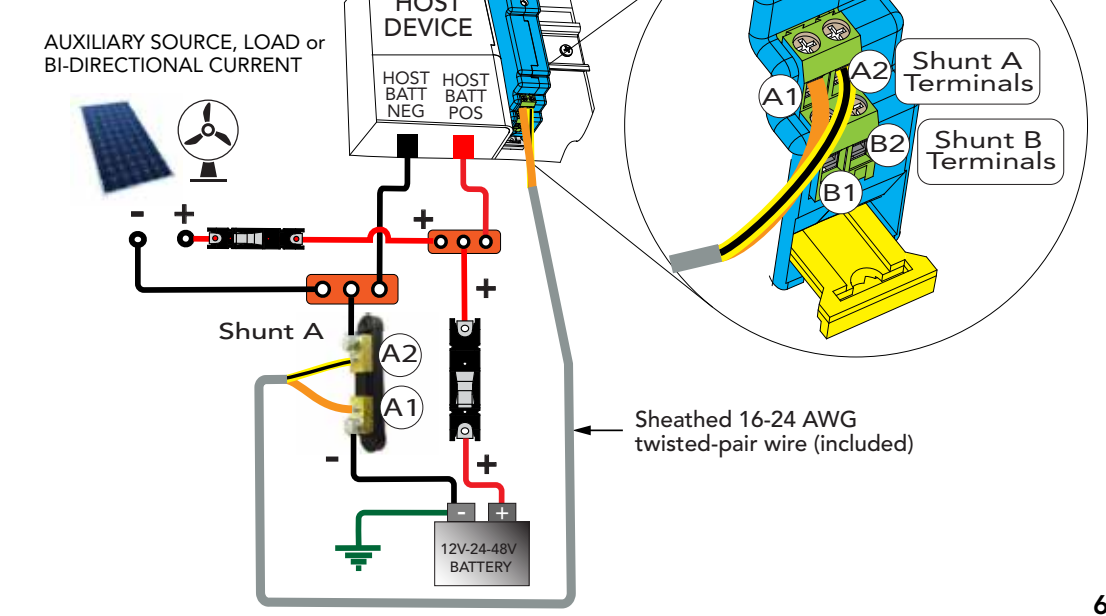
**WIRING** - disconnect all power sources to the host device before wiring Block:

See common wiring applications - busbars shown for clarity, actual wiring may vary - on pp. 6-8, and refer to the full manual for important safety and installation details.

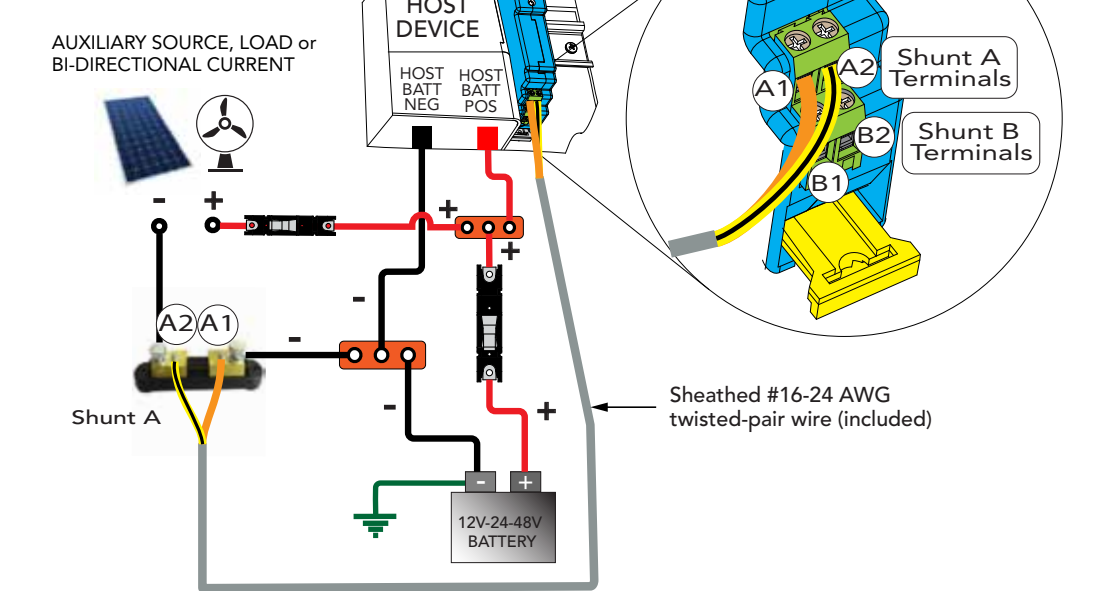
Though it has been common practice to install shunts on the negative conductor, it is not required. Shunt(s) can be installed on the positive or negative conductor(s) of the circuit - see the full manual for details.

After wiring, tighten the ReadyShunt terminal connector screws to 5 in-lb (0.56 N-m) of torque. **Connect the battery to power the host device-shunt block system.**

**Figure 1 - Net Battery Current Application**



**Figure 2 - Auxiliary Current Application**



**Figure 3 - Net Battery & Auxiliary Current Application**

