

The right way to attach almost anything to metal roofs!

S-5!®

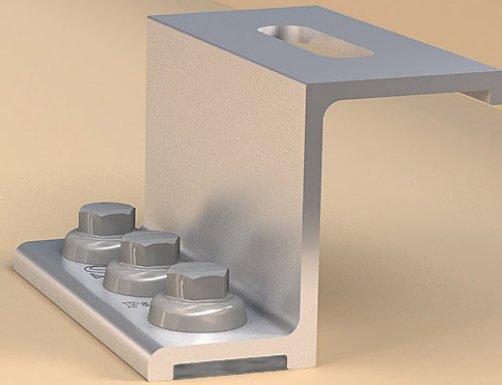
The Right Way!®

VersaBracket™

VersaBracket™ can be used to mount almost anything to an exposed-fastened roof system and is compatible with almost any trapezoidal exposed-fastened profile. No messy sealants to apply! No chance for leaks! The VersaBracket comes with factory-applied butyl sealant already in the base, and the S-5!® patented reservoir conceals the sealant from UV exposure, preventing drying and cracks.

Installation is simple! VersaBracket is mounted in the flat of the panel, directly into the supporting structure of the roof, i.e. wood decking, wood or steel purlins or trusses. No surface preparation is necessary; simply wipe away excess oil and debris, peel the release paper from the base, align, and apply. Secure through the pre-punched holes using the appropriate screws for the supporting structure.

VersaBracket is so strong, it will even support heavy-duty applications like snow retention. For exposed-fastened trapezoidal profiles, the VersaBracket is the perfect match for our ColorGard® snow retention systems (for corrugated roofs use CorruBracket™). VersaBracket is extremely economical and facilitates quick and easy installation.



S-5!® VersaBracket™ is the right way to attach almost anything to exposed-fastened roof profiles, including PV through rail methods.

VersaBracket™



888-825-3432 | www.S-5.com |

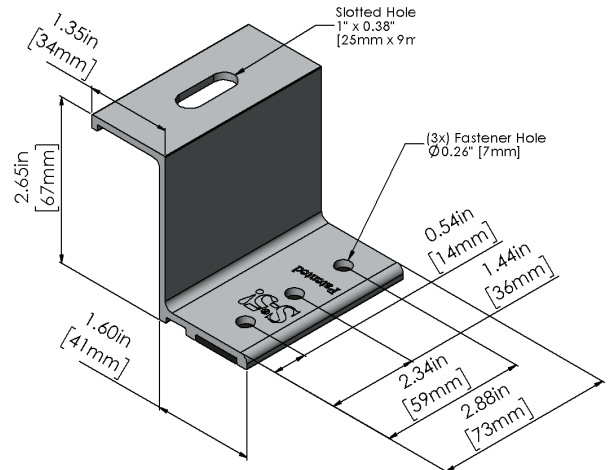


VersaBracket™ can be used for almost any attachment need, including S-5!® ColorGard®, on all types of exposed-fastened metal roofing. No messy sealants to apply. The factory-applied butyl sealant waterproofs and makes installation a snap!

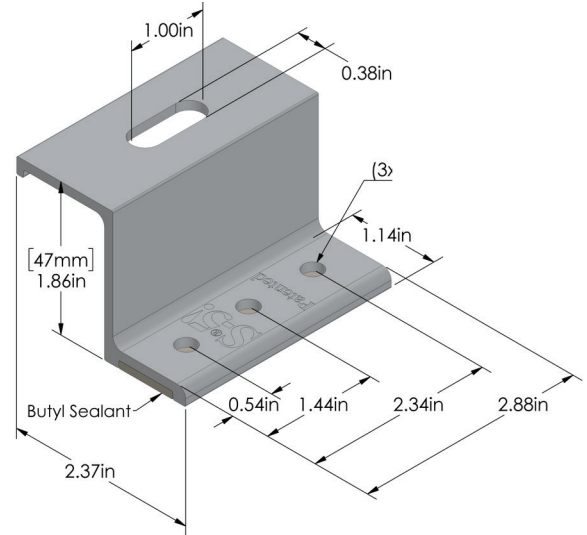
To accommodate various rib heights, **VersaBracket™** comes in two heights—the 2.65" VersaBracket-67™ and the 1.86" VersaBracket-47™. The VersaBracket-67 mounting face has no holes or slots; thus, ancillary items are typically secured using self-tapping screws. The VersaBracket-47 comes with a 1" slot on top as the standard part. Other hole and slot configurations available with minimum purchase requirements (contact your distributor for available configurations). Each VersaBracket comes with factory-applied butyl sealant in the base. A structural aluminum attachment bracket, VersaBracket is compatible with most common metal roofing materials. For design assistance, ask your distributor, or use our web-based calculator at www.S-5.com for job-specific system engineering and design of your next snow retention project. Also, please visit our website for more information including CAD details, metallurgical compatibilities, and specifications.

The VersaBracket has been tested for load-to-failure results on wood decking, metal, and wood purlins. The independent lab test data found at www.S-5.com can be used for load-critical designs and applications. S-5!® holding strength is unmatched in the industry.

VersaBracket-67™



VersaBracket-47™



3 holes are provided for versatility. Some installations require only 2 fasteners. See the load table on the S-5! website and the installation instructions for more details.

Due to varied applications, mounting hardware is not furnished with part.

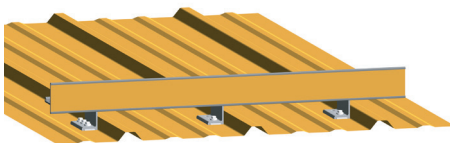
Please note: All measurements are rounded to the second decimal place.

Example Profile



Example Applications

ColorGard



S-5!® Warning! Please use this product responsibly!

Products are protected by multiple U.S. and foreign patents. For published data regarding holding strength, bolt torque, patents and trademarks visit the S-5! website at www.S-5.com.

Copyright 2021, Metal Roof Innovations, Ltd. S-5! products are patent protected. S-5! aggressively protects its patents, trademarks, and copyrights. Version 083121.

Distributed by