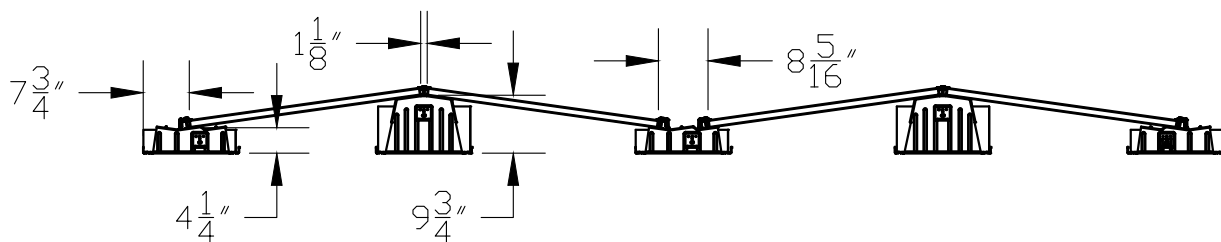
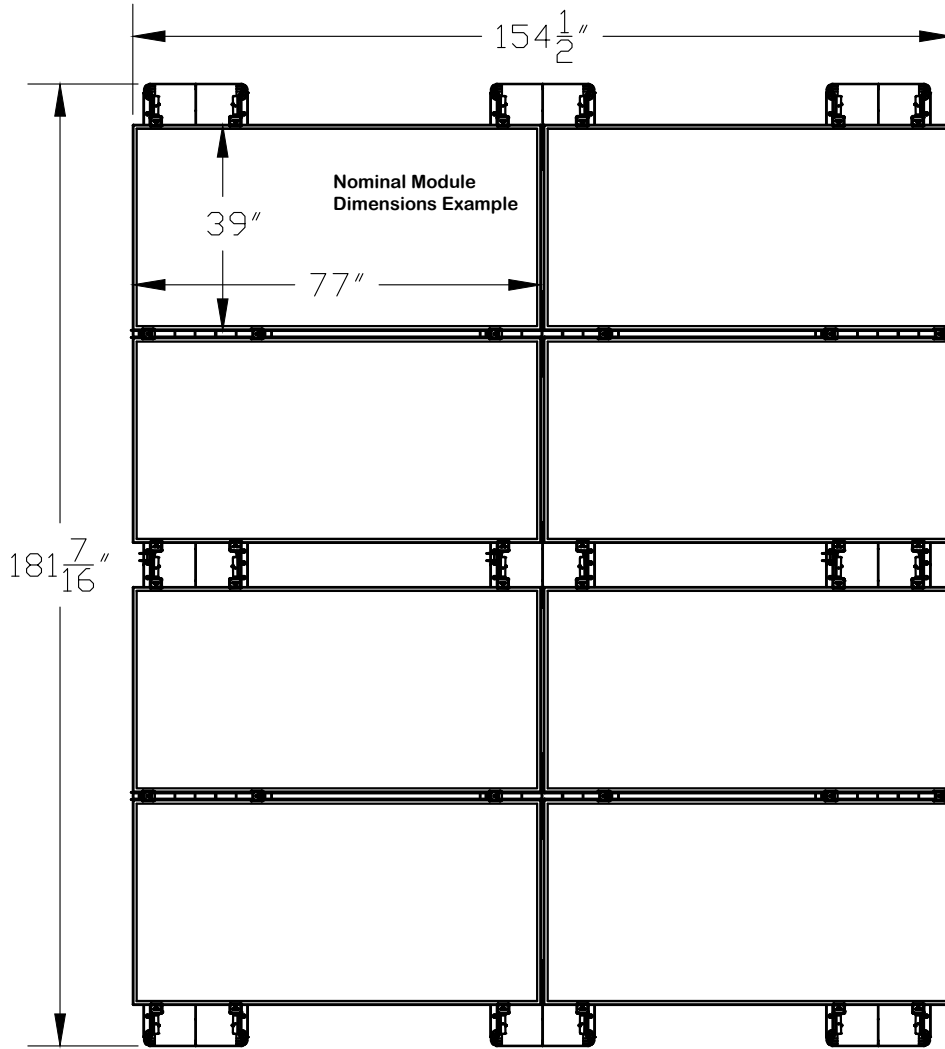
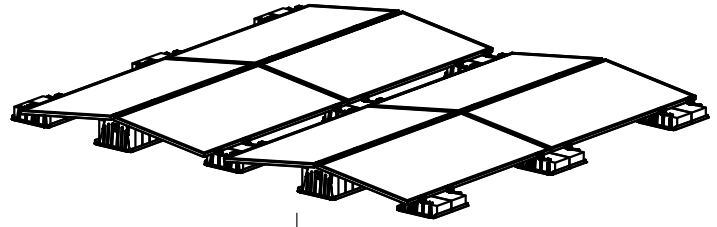


NOTE: ARRAY DIMENSIONS WILL VARY BASED ON
MODULE WIDTH & LENGTH.



1411 BROADWAY BLVD NE
ALBUQUERQUE, NM 87102
USA

WWW.UNIRAC.COM

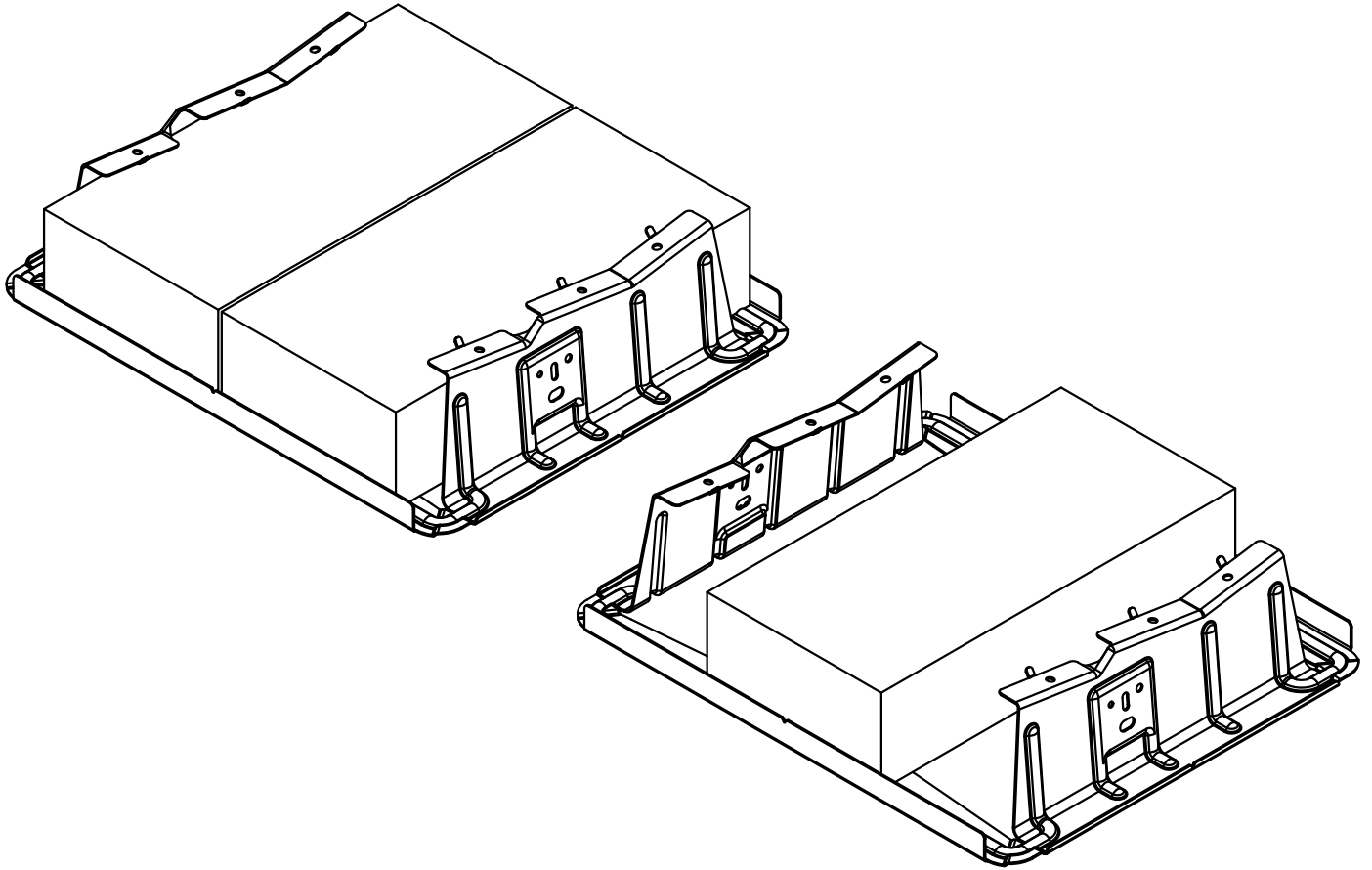
| | |
|-----------------------|--------------|
| PRODUCT LINE: | RMDT |
| DRAWING TYPE: | ASSEMBLY |
| DESCRIPTION: | 2x4 LAYOUT |
| REVISION DATE: | October_2016 |

DRAWING NOT TO SCALE
ALL DIMENSIONS ARE NOMINAL

PRODUCT PROTECTED BY ONE
OR MORE US PATENTS

LEGAL NOTICE

RMDT-A01
SHEET



UNIRAC[®]

1411 BROADWAY BLVD NE
ALBUQUERQUE, NM 87102
USA

WWW.UNIRAC.COM

| | |
|-----------------------|-------------------------------|
| PRODUCT LINE: | RMDT |
| DRAWING TYPE: | ASSEMBLY |
| DESCRIPTION: | BLOCKS ON RMDT VALLEY BAYS |
| REVISION DATE: | October_2016 |

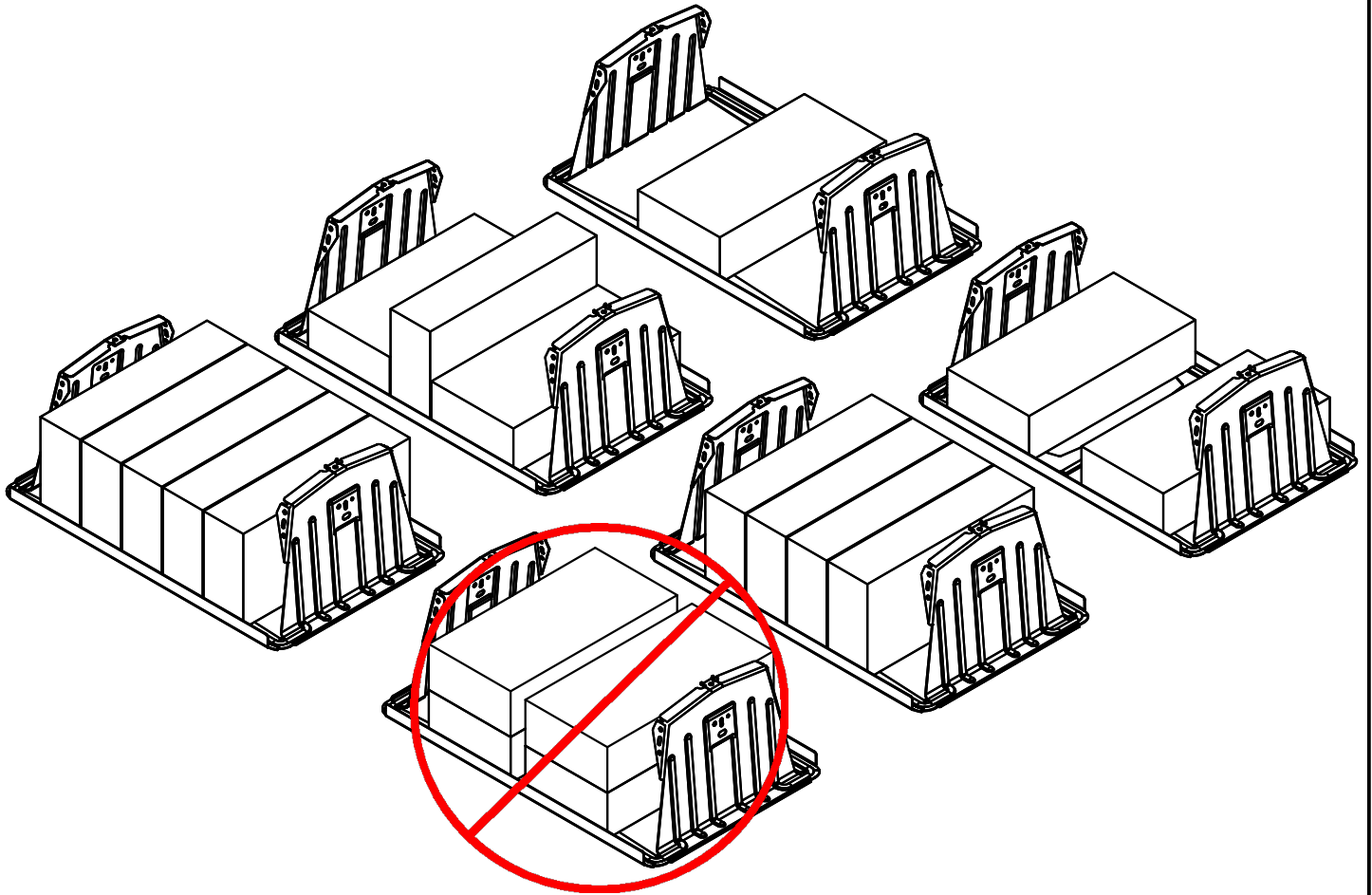
DRAWING NOT TO SCALE
ALL DIMENSIONS ARE NOMINAL

PRODUCT PROTECTED BY ONE
OR MORE US PATENTS

LEGAL NOTICE

RMDT-A02

SHEET



UNIRAC[®]

1411 BROADWAY BLVD NE
ALBUQUERQUE, NM 87102
USA

WWW.UNIRAC.COM

| | |
|-----------------------|------------------------------|
| PRODUCT LINE: | RMDT |
| DRAWING TYPE: | ASSEMBLY |
| DESCRIPTION: | BLOCKS ON RMDT RIDGE BAYS |
| REVISION DATE: | October_2016 |

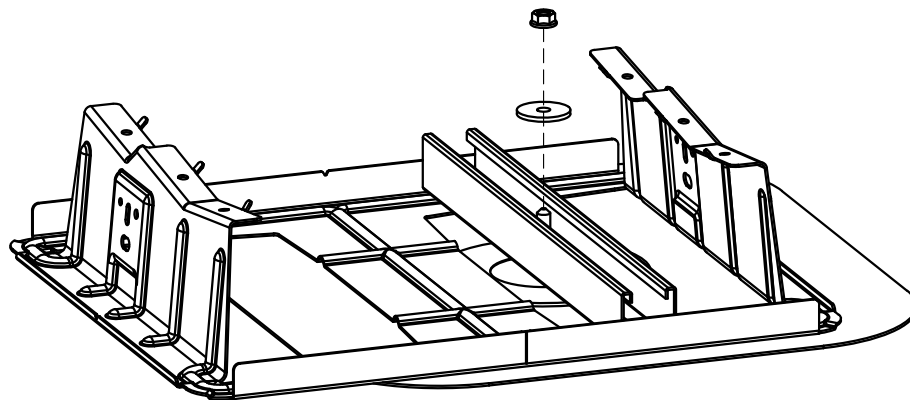
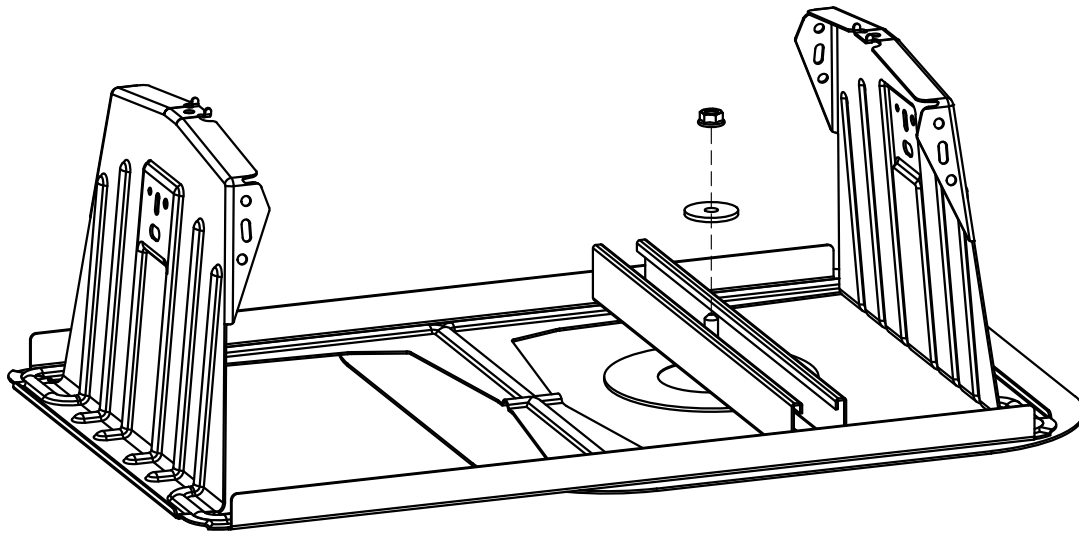
DRAWING NOT TO SCALE
ALL DIMENSIONS ARE NOMINAL

PRODUCT PROTECTED BY ONE
OR MORE US PATENTS

LEGAL NOTICE

RMDT-A03

SHEET



UNIRAC[®]

1411 BROADWAY BLVD NE
ALBUQUERQUE, NM 87102
USA

WWW.UNIRAC.COM

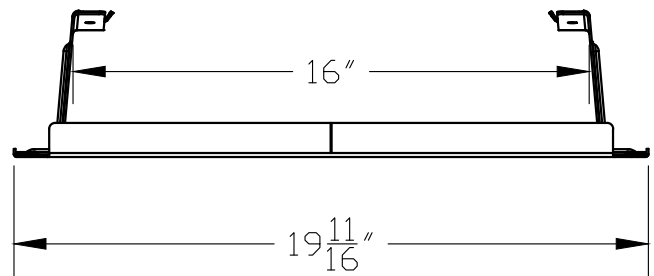
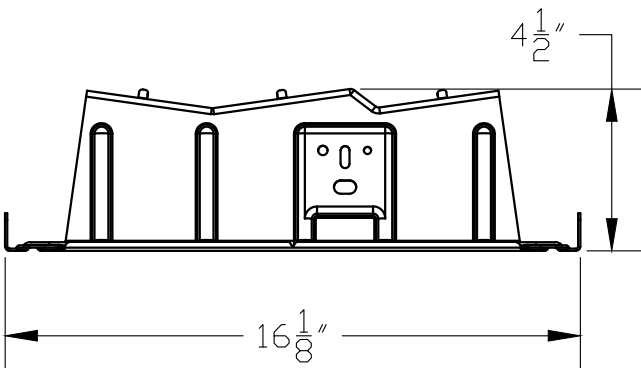
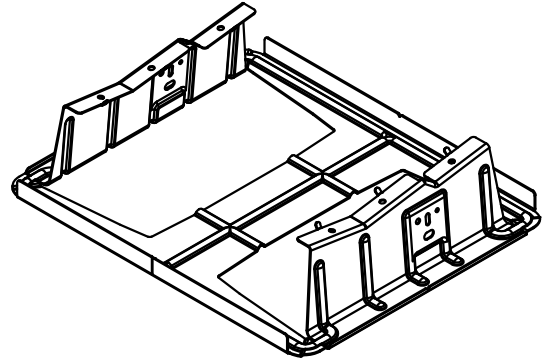
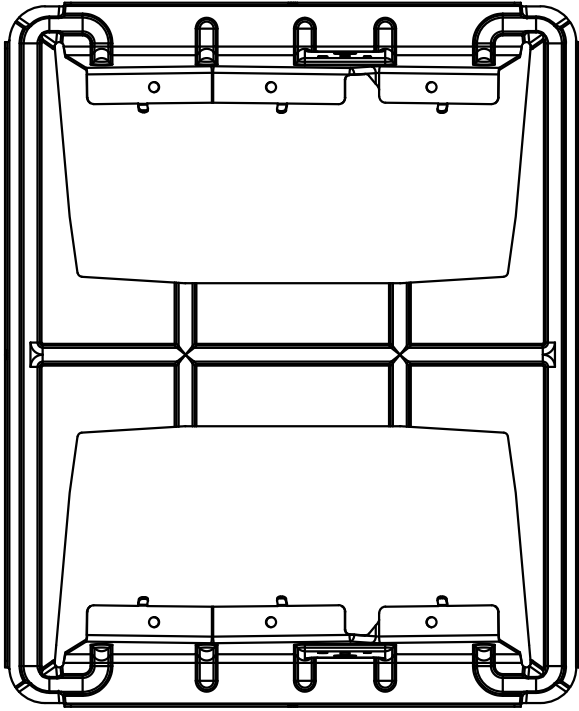
| | |
|-----------------------|-----------------|
| PRODUCT LINE: | RMDT |
| DRAWING TYPE: | ASSEMBLY |
| DESCRIPTION: | BAY ATTACHMENTS |
| REVISION DATE: | October_2016 |

DRAWING NOT TO SCALE
ALL DIMENSIONS ARE NOMINAL

PRODUCT PROTECTED BY ONE
OR MORE US PATENTS

LEGAL NOTICE

RMDT-A04
SHEET



UNIRAC

1411 BROADWAY BLVD NE
ALBUQUERQUE, NM 87102
USA

WWW.UNIRAC.COM

| | |
|-----------------------|-----------------|
| PRODUCT LINE: | RMDT |
| DRAWING TYPE: | PART |
| DESCRIPTION: | RMDT VALLEY BAY |
| REVISION DATE: | October_2016 |

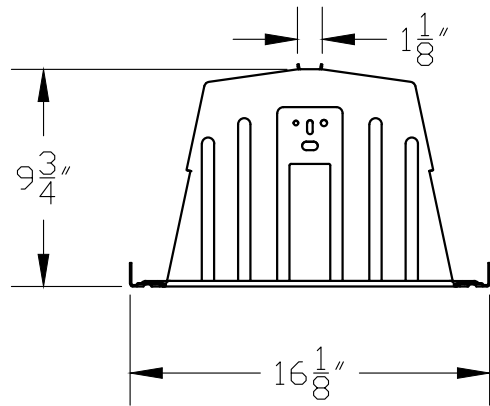
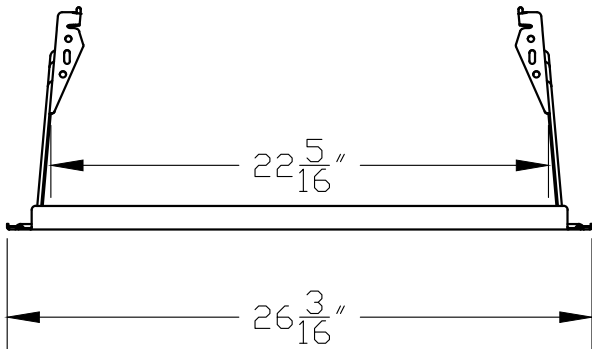
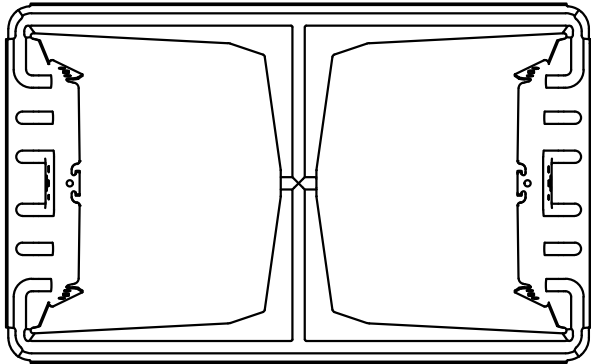
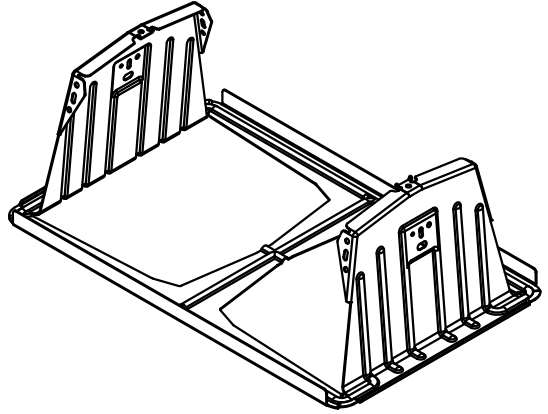
DRAWING NOT TO SCALE
ALL DIMENSIONS ARE NOMINAL

PRODUCT PROTECTED BY ONE
OR MORE US PATENTS

LEGAL NOTICE

RMDT-PO1

SHEET



1411 BROADWAY BLVD NE
ALBUQUERQUE, NM 87102
USA

WWW.UNIRAC.COM

| | |
|-----------------------|----------------|
| PRODUCT LINE: | RMDT |
| DRAWING TYPE: | PART |
| DESCRIPTION: | RMDT RIDGE BAY |
| REVISION DATE: | October_2016 |

DRAWING NOT TO SCALE
ALL DIMENSIONS ARE NOMINAL

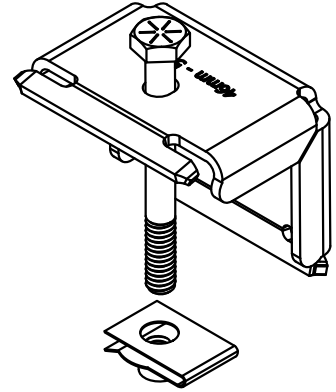
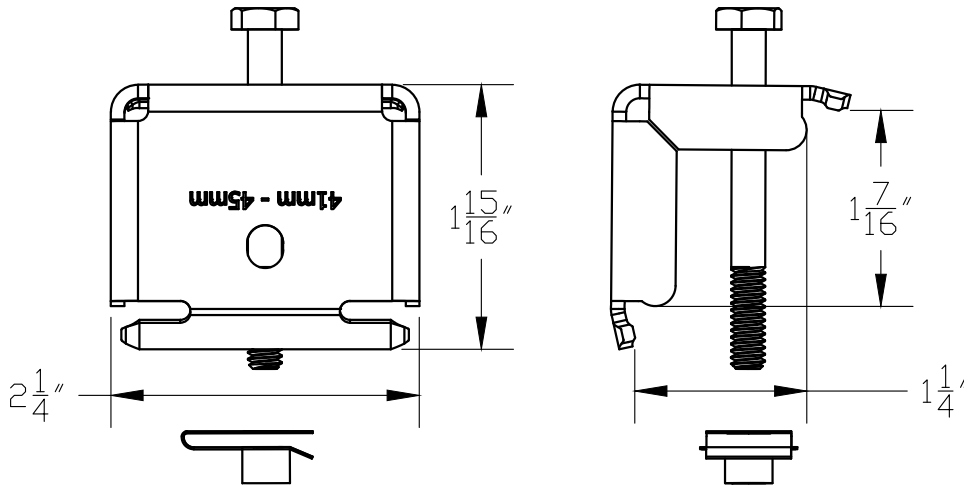
PRODUCT PROTECTED BY ONE
OR MORE US PATENTS

LEGAL NOTICE

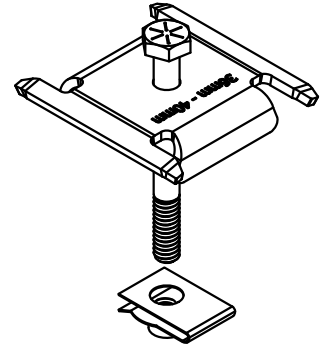
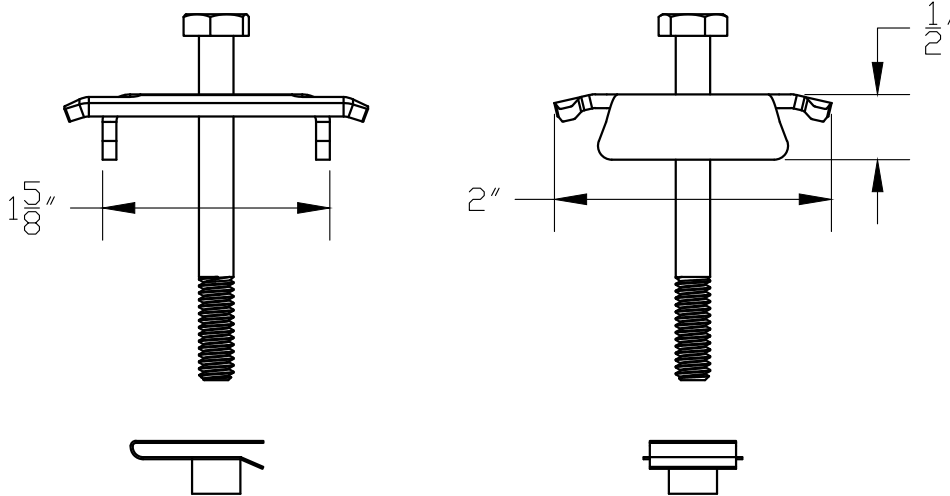
RMDT-P02

SHEET

END CLAMP



MID CLAMP



UNIRAC

1411 BROADWAY BLVD NE
ALBUQUERQUE, NM 87102
USA

WWW.UNIRAC.COM

| | |
|-----------------------|--------------|
| PRODUCT LINE: | RMDT |
| DRAWING TYPE: | PART |
| DESCRIPTION: | RMDT CLAMPS |
| REVISION DATE: | October_2016 |

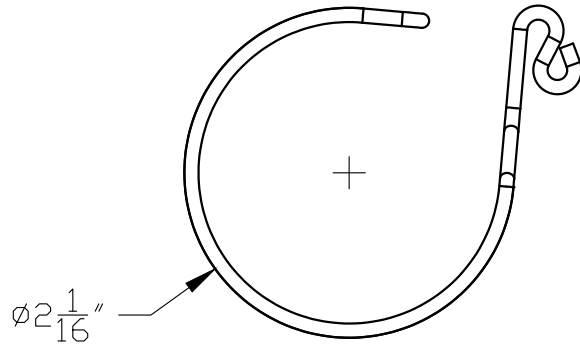
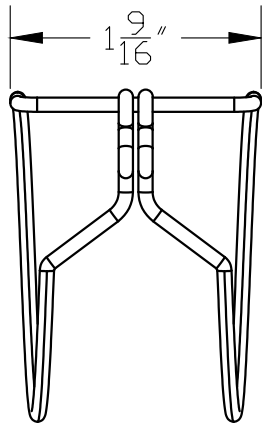
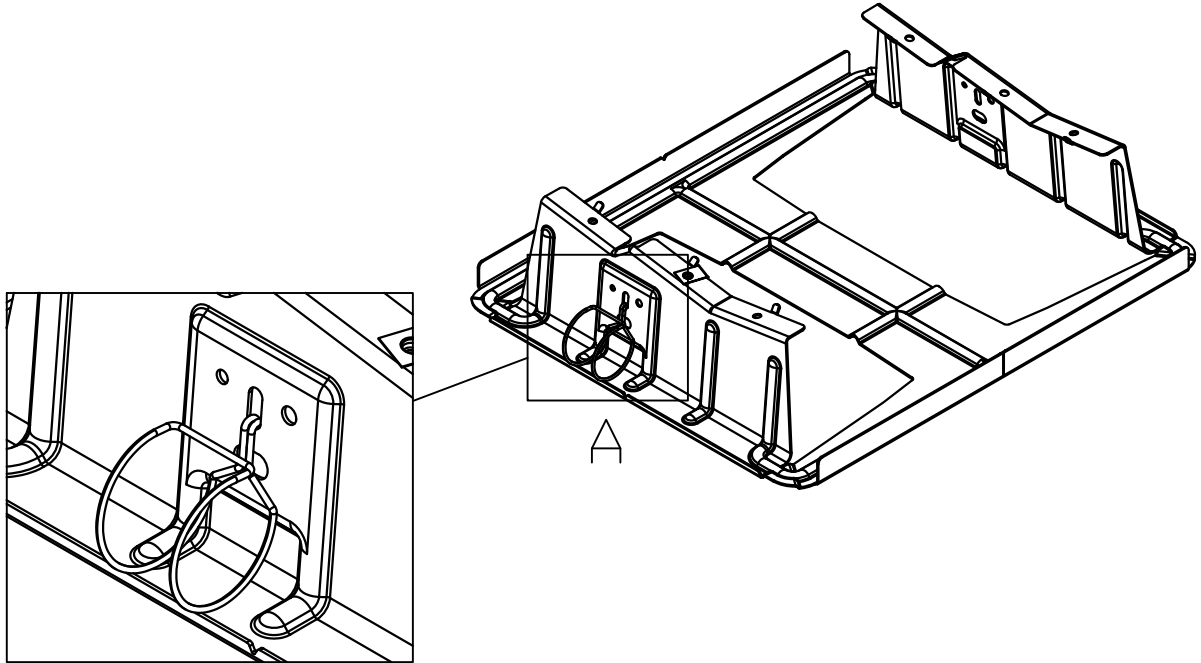
DRAWING NOT TO SCALE
ALL DIMENSIONS ARE NOMINAL

PRODUCT PROTECTED BY ONE
OR MORE US PATENTS

LEGAL NOTICE

RMDT-P03

SHEET



UNIRAC®

1411 BROADWAY BLVD NE
ALBUQUERQUE, NM 87102
USA

WWW.UNIRAC.COM

| | |
|-----------------------|----------------|
| PRODUCT LINE: | RMDT |
| DRAWING TYPE: | PART |
| DESCRIPTION: | RMDT WIRE CLIP |
| REVISION DATE: | October_2016 |

DRAWING NOT TO SCALE
ALL DIMENSIONS ARE NOMINAL

PRODUCT PROTECTED BY ONE
OR MORE US PATENTS

LEGAL NOTICE

RMDT-P04

SHEET