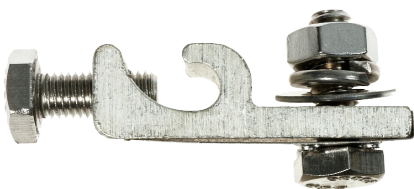


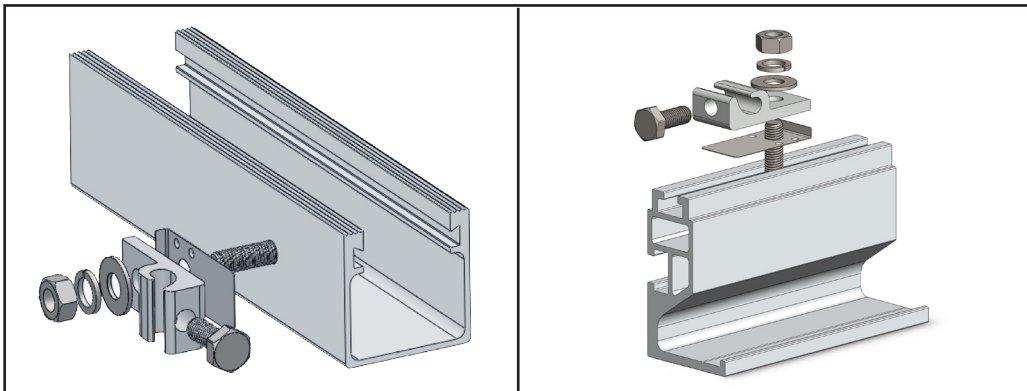
WEEB™ LUG

The WEEB™ Lug consists of a WEEB™ washer, lay-in lug, and hardware. It is used with one solid or stranded copper wire (14AWG to 6AWG), or two copper wires (12AWG to 10AWG) to provide a continuous ground on roof or ground mounted solar systems. Unlike traditional lay-in lugs, the WEEB™ Lug does not require surface preparation on rail or module to install. The WEEB™ Lug is installed using stainless steel mounting hardware. When the hardware is tightened the WEEB™ washers' specialized teeth embed into anodized aluminum, galvanized steel, or any electrically conductive metal to establish a gas tight electrical connection. The tin-plated Lug assures minimum contact resistance and protection against corrosion. Copper wire is clamped by a 1/4-28 stainless steel screw, which is horizontal to the tang for easy access when mounted under a PV module. The low profile of the WEEB™ Lug allows it to be installed in a variety of positions.

Catalog	Item #	L x W x H	Hole	Hardware	Torque
WEEB-LUG-6.7	30020109	1.60" x 0.71" x 0.47"	0.266"	1/4 inch hardware - included unassembled	7 ft. lbs. for terminal screw
WEEB-LUG-6.7AS	30020110	1.60" x 0.71" x 0.47"		1/4 inch hardware - included assembled	
WEEB-LUG-8.0	30020111	1.60" x 0.87" x 0.47"	0.323"	M8 or 5/16 inch hardware - not included	10 ft. lbs. for mounting hardware w/ Penetrox-A on threads
WEEB-LUG-8.0AS	50010335	1.60" x 0.87" x 0.47"		5/16 inch hardware - included assembled	
WEEB-LUG-8.2MS	30020115	1.60" x 0.71" x 0.47"		M8 or 5/16 inch hardware - not included	
WEEB-LUG-15.8	30020112	1.60" x 0.71" x 0.47"		M8 or 5/16 inch hardware - not included	



- Material: 304 stainless steel, tin-plated copper, outdoor rated
- Low profile design
- Multiple equipment ground conductor allowance:
One 14 AWG to 6 AWG or two 10 AWG, two 12 AWG
- Listed to ANSI/UL 467 by Intertek ETL
- Recognized to UL 2703



Customer Service Department

7 Aviation Park Drive
Londonderry NH 03053
1-800-346-4175
1-603-647-5299 (International)

