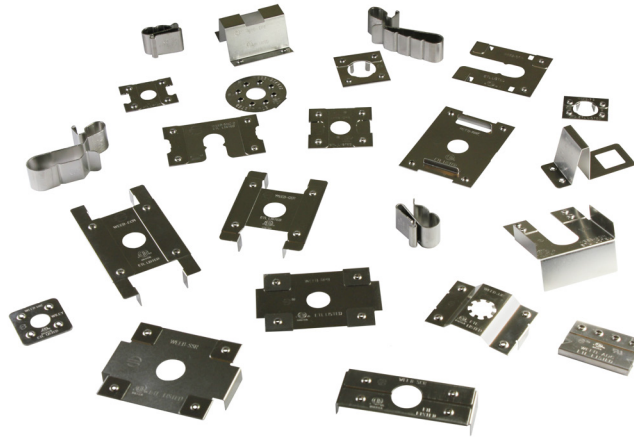
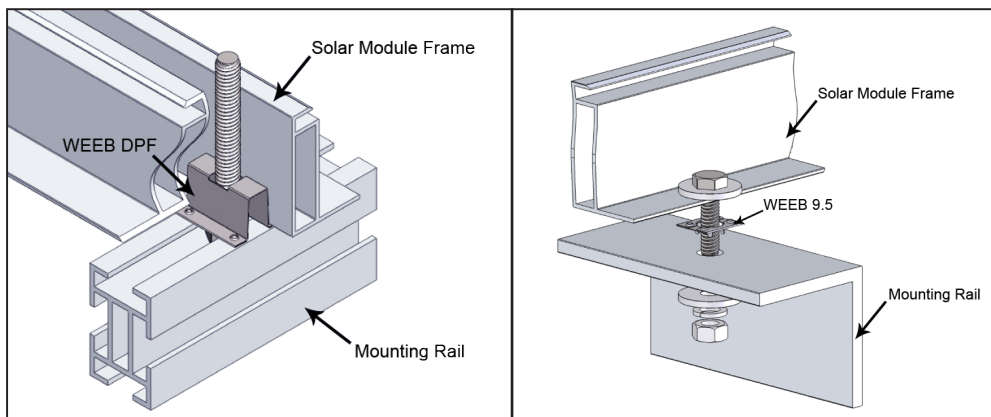


WEEB™ Washer Electrical Equipment Bond

The WEEB™ washer line of products is designed to bond solar PV modules to mounting structures and create an electrical path to ground. WEEB™ washers eliminate the need for older, more costly grounding methods and greatly reduce the amount of labor and materials used in installations. The innovative WEEB™ washer design removes the need to run ground wire to each individual module and eliminates the need for surface preparation on anodized aluminum components. To install, WEEB™ washers are placed between PV modules and mounting rails at clamping points or at bolted connections. When anti-seize is applied and the hardware is tightened down to the appropriate torque spec, the WEEB™ washers' specialized teeth embed into anodized aluminum, galvanized steel, or any electrically conductive metal to establish a gas tight electrical connection.



- Material: 304 stainless steel
- ETL Listed to UL 467
- UL Recongized to Subject Standard 2703
- Outdoor rated



Customer Service Department
7 Aviation Park Drive
Londonderry NH 03053
1-800-346-4175
1-603-647-5299 (International)



Intertek
4004188

